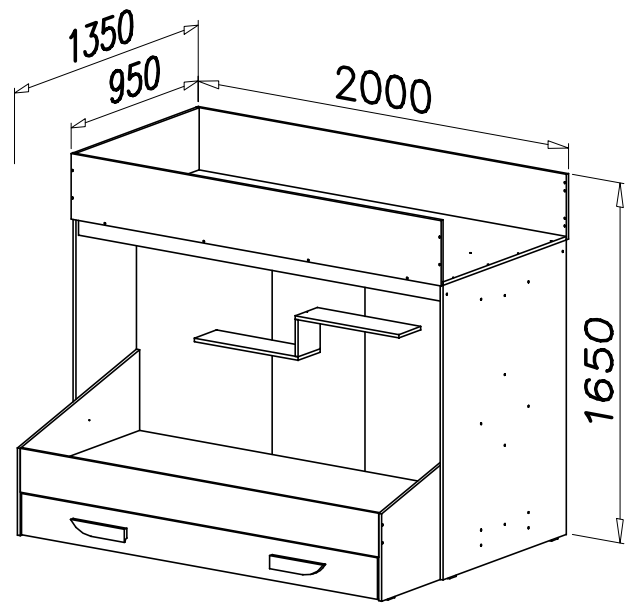
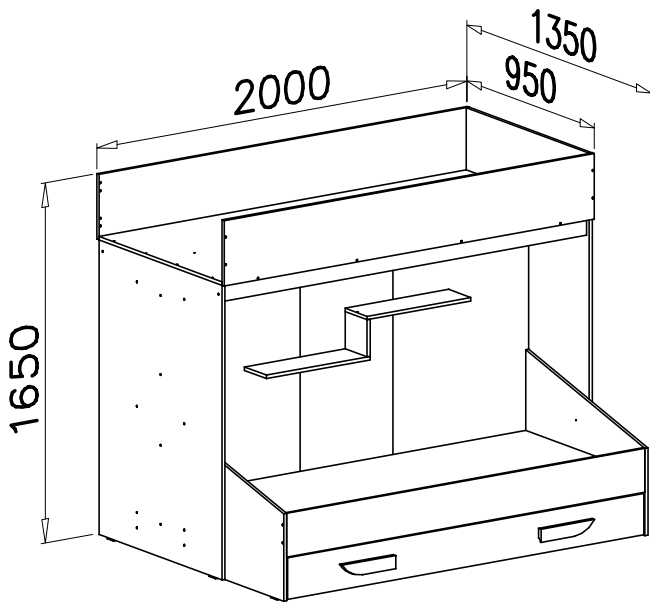

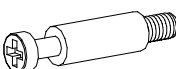
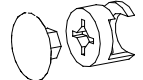

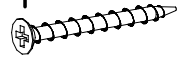
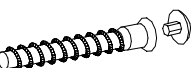
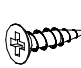
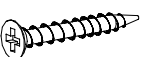
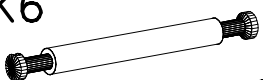


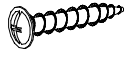
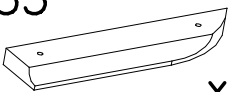




⑦ → ⑪

⑫ → ⑯

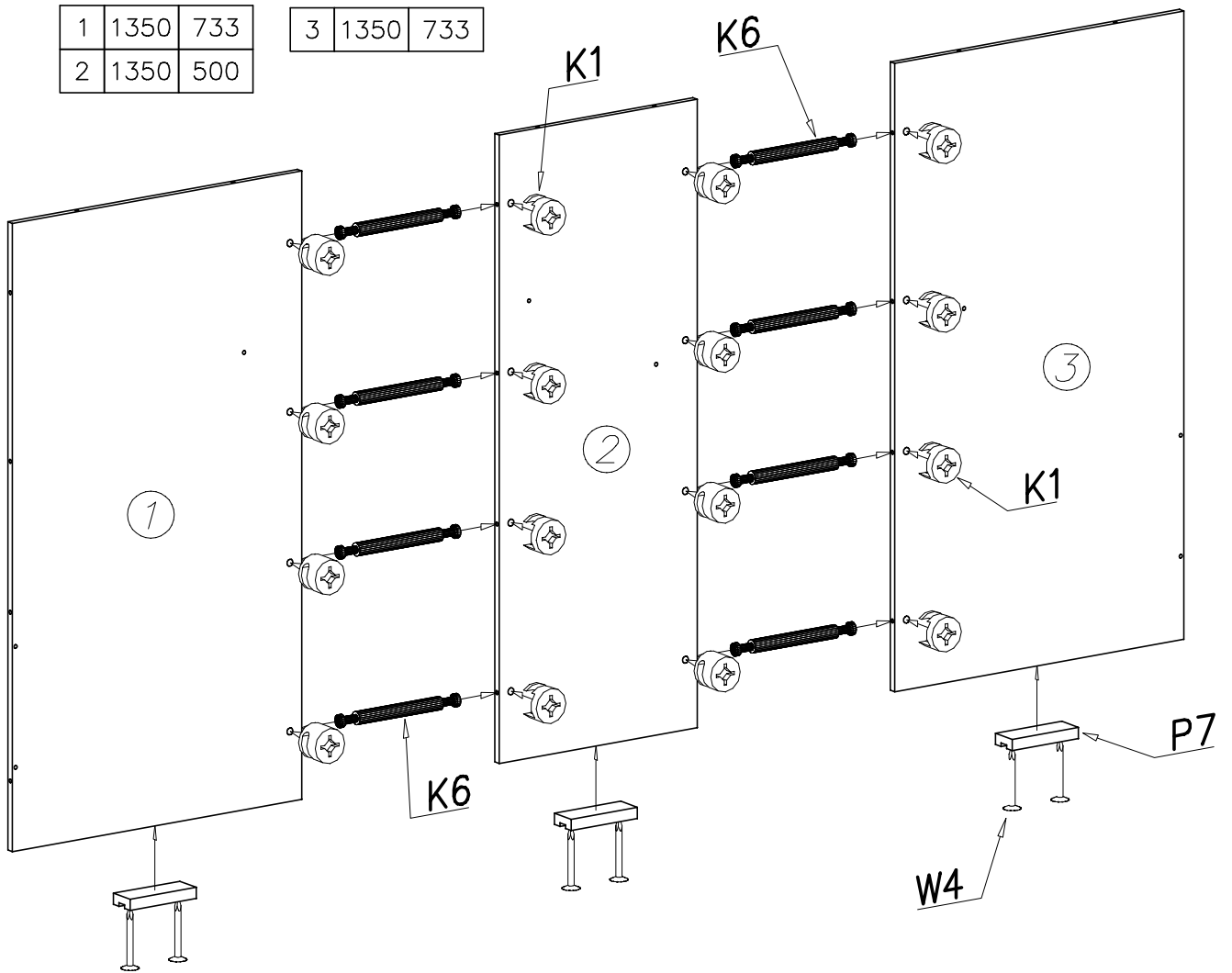


<b>B7</b>  ø8x30 x52	<b>K5</b>  ø15x12 x8	<b>K1</b>  ø15x12 x24	<b>W2</b>  4mm x1	<b>G14</b>  3,5x40 x4
<b>A1</b>  ø7x50 x70	<b>G4</b>  4x16 x12	<b>G3</b>  4x30 x4	<b>K6</b>  ø15x12 x8	<b>P24</b>  3x40 x6
<b>P7</b>  4x25 x11	<b>G16</b>  4x25 x4	<b>E33</b>  4x25 x2	<b>W4</b>  4x25 x22	<b>G9</b>  5x40 x12

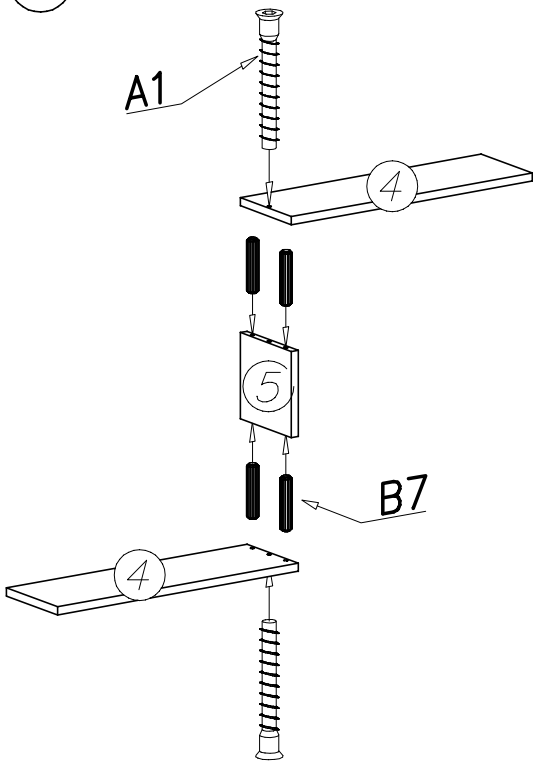
1

1	1350	733
2	1350	500

3	1350	733
---	------	-----

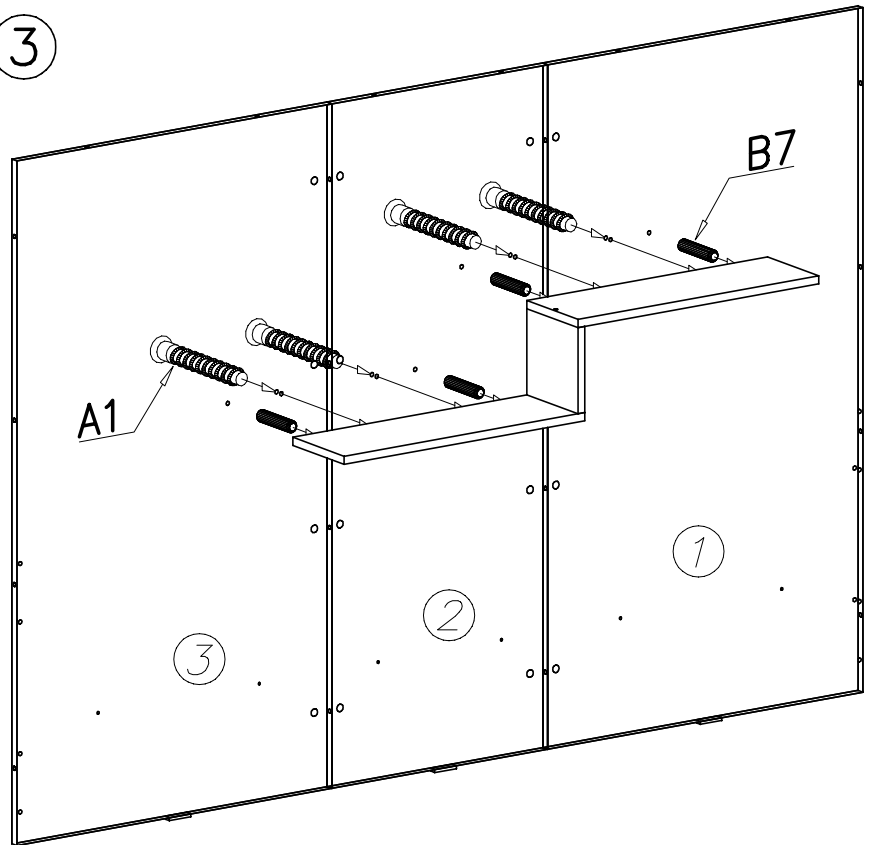


2



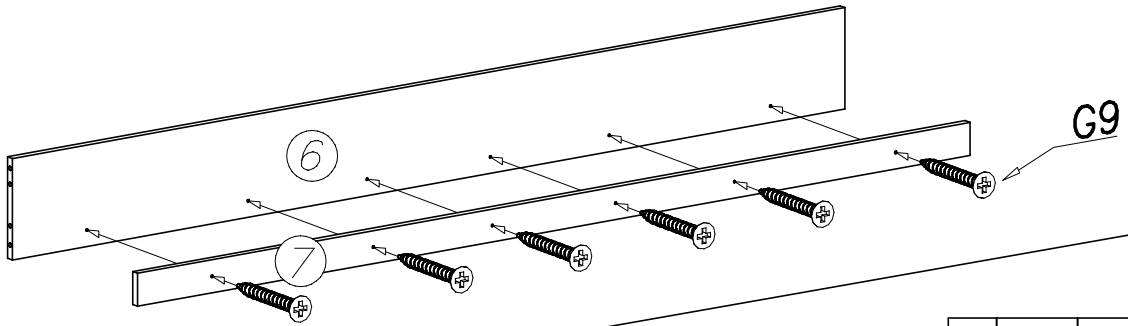
4	560	170
5	170	170

3



**ATTENTION** The length of the projecting pin when pocketed does not exceed 9–10 mm

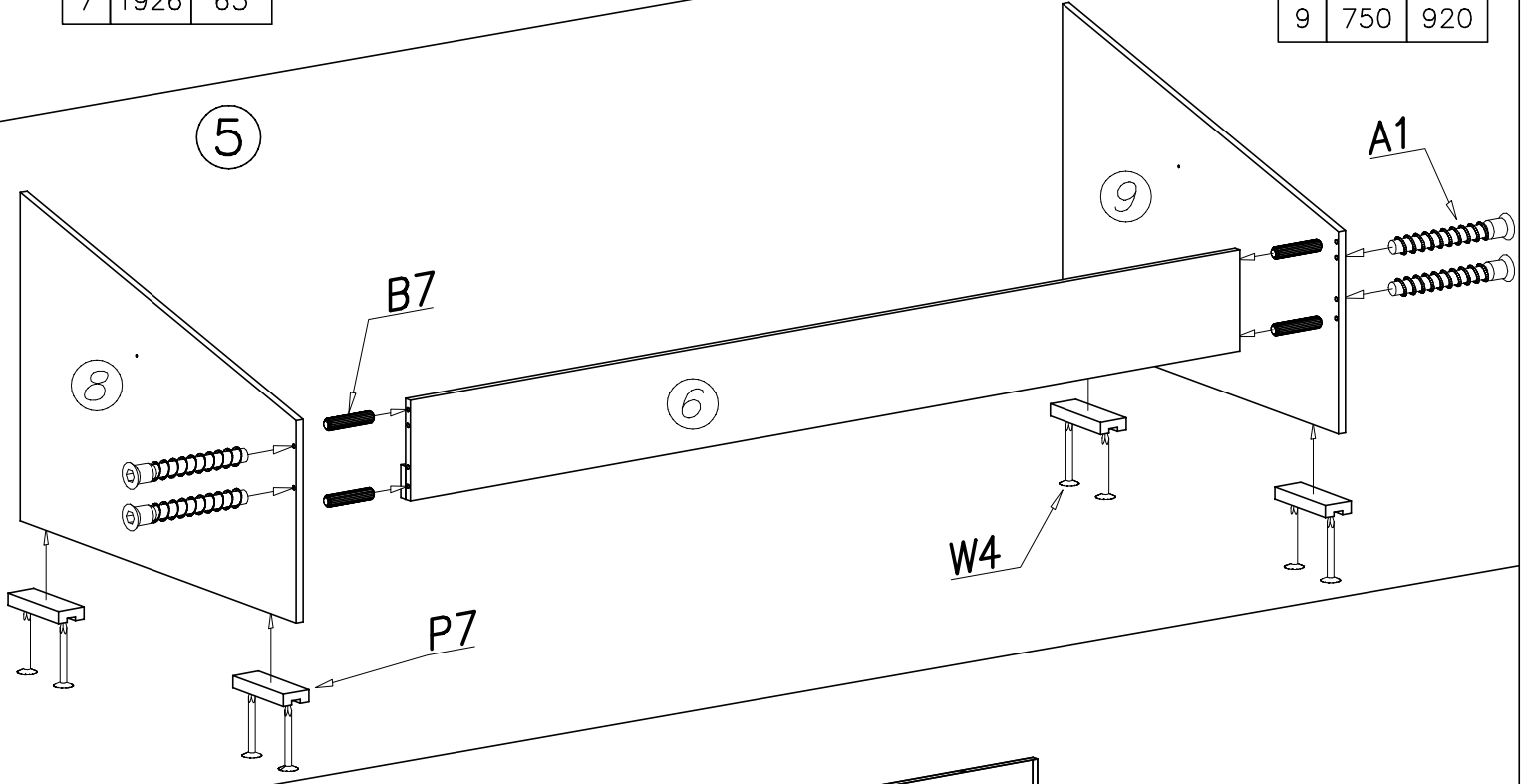
4



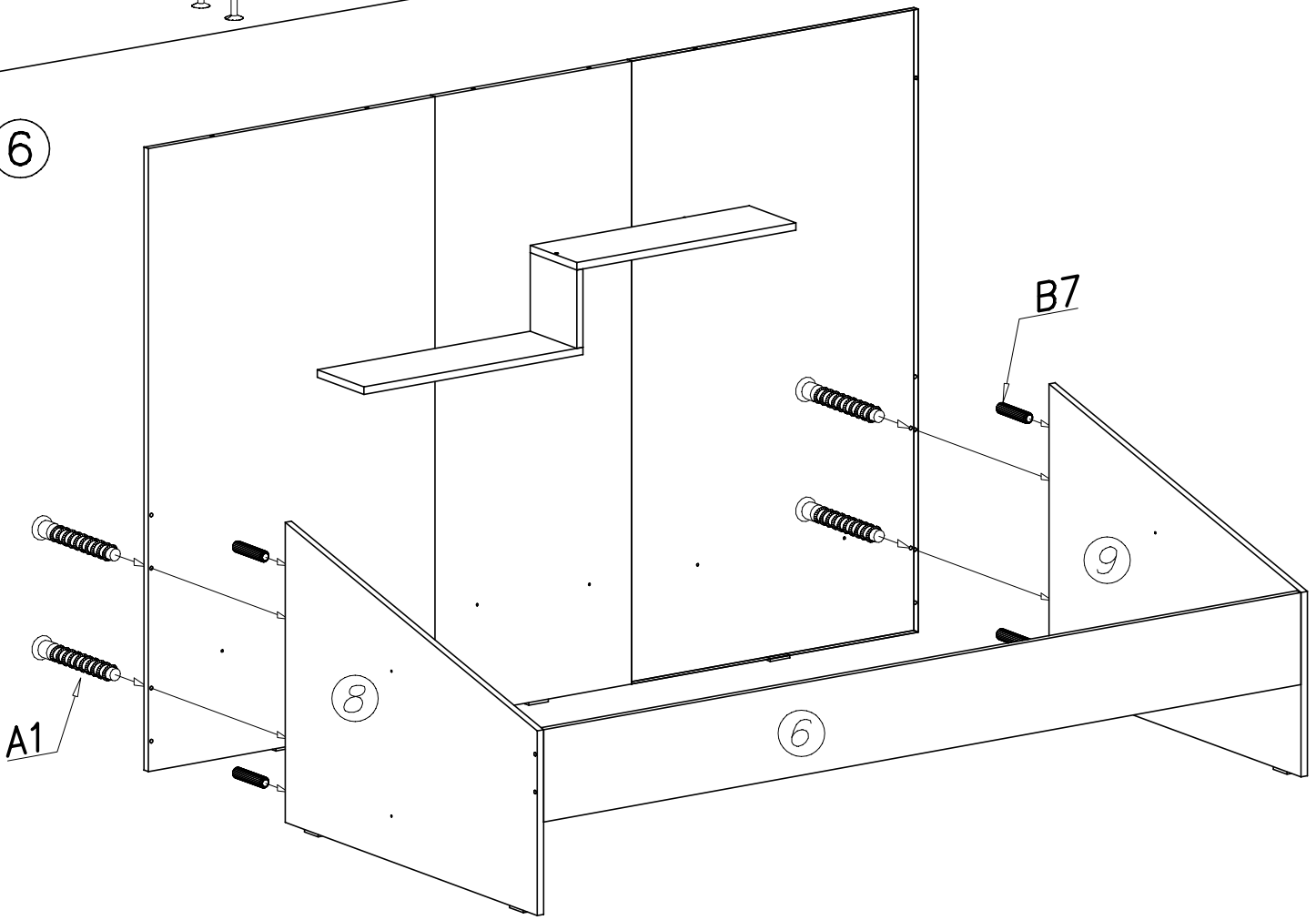
6	1934	200
7	1926	65

8	750	920
9	750	920

5

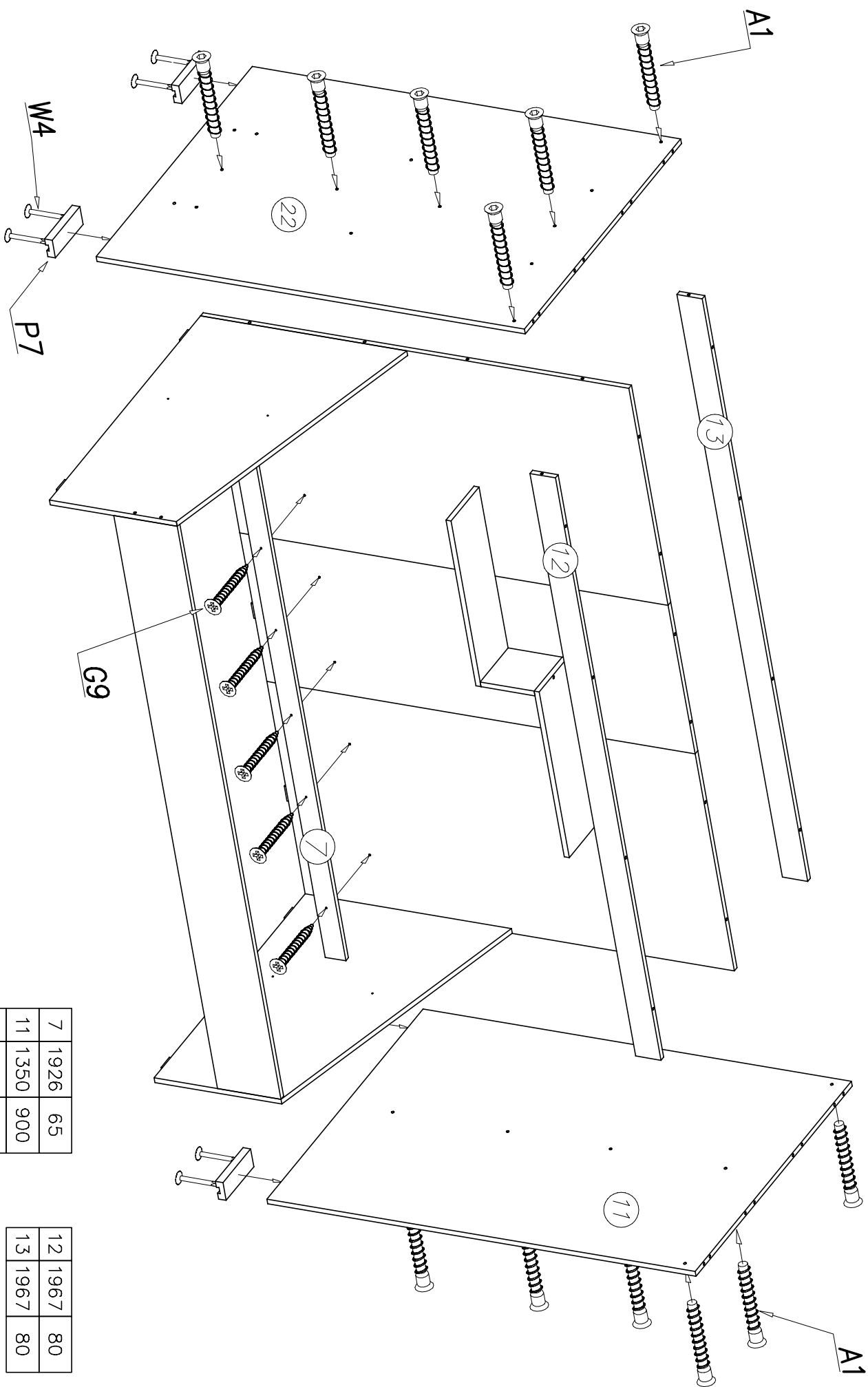


6



7

8

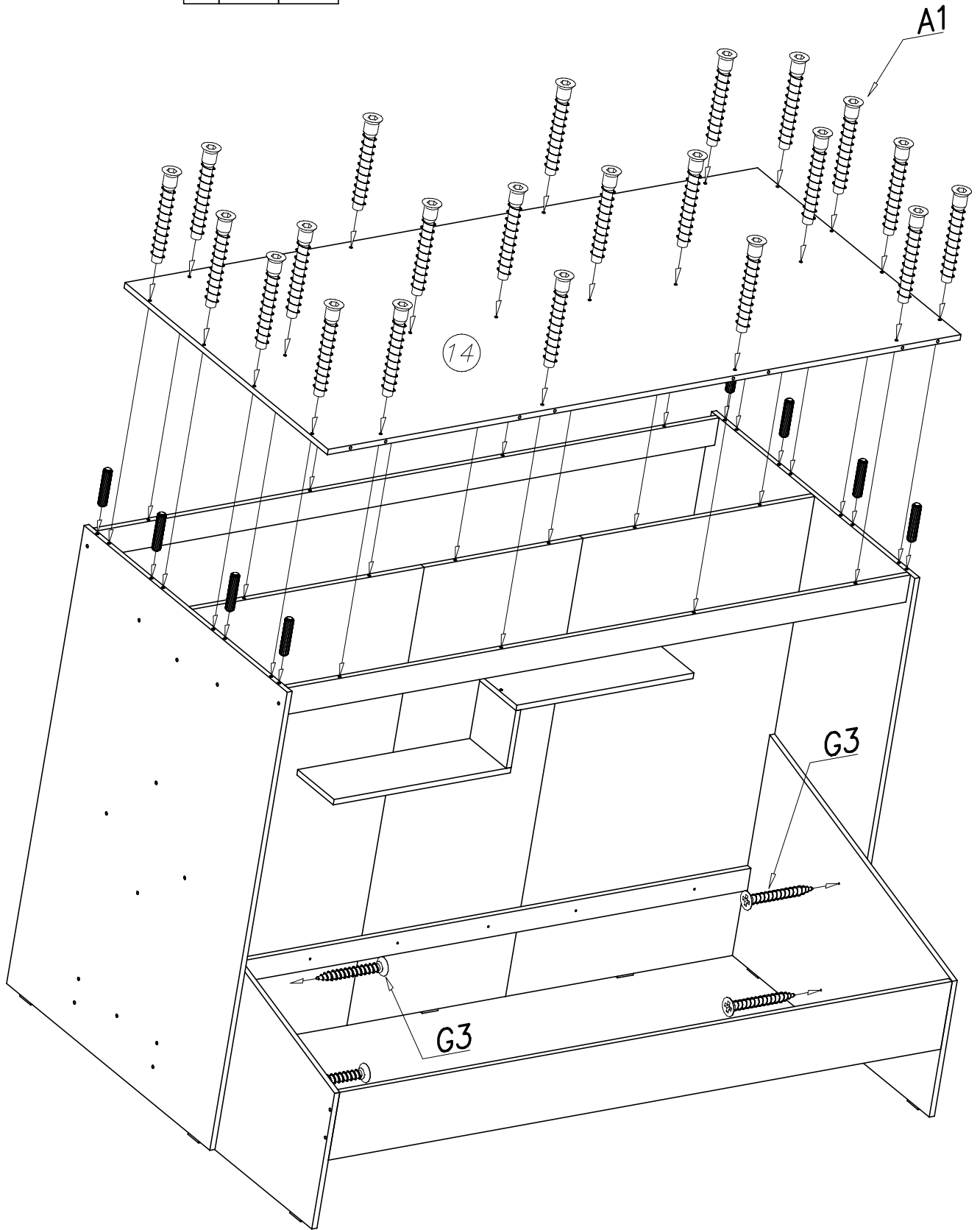


7	1926	65
11	1350	900
22	1350	900

12	1967	80
13	1967	80

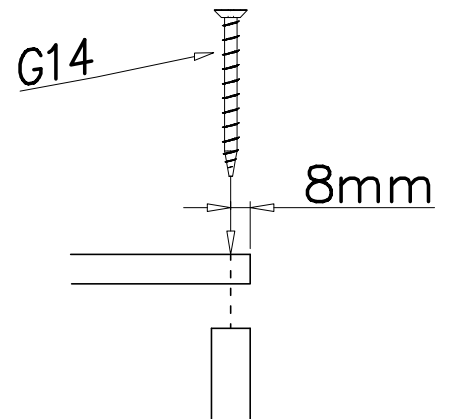
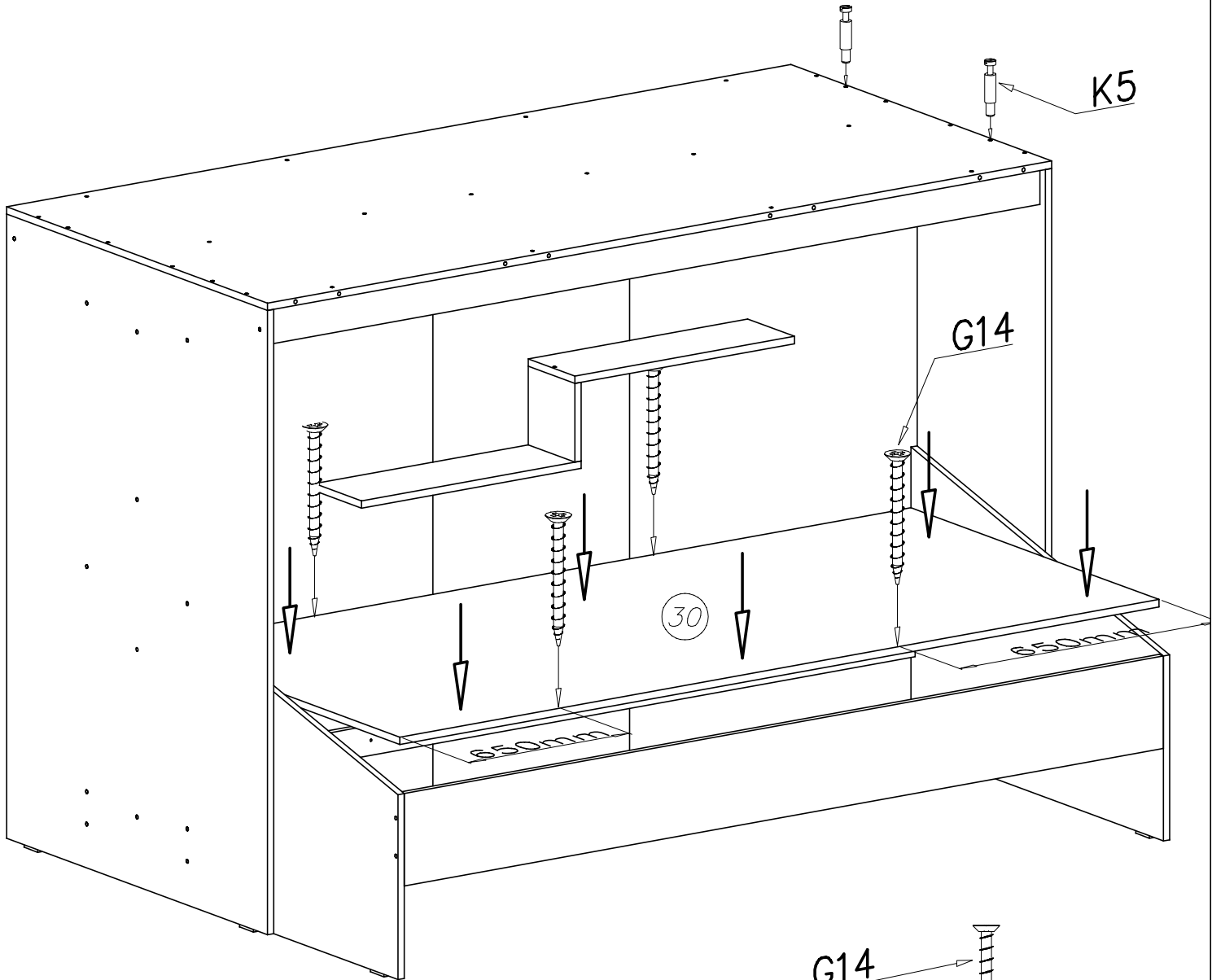
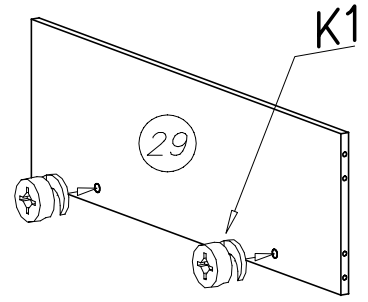
9

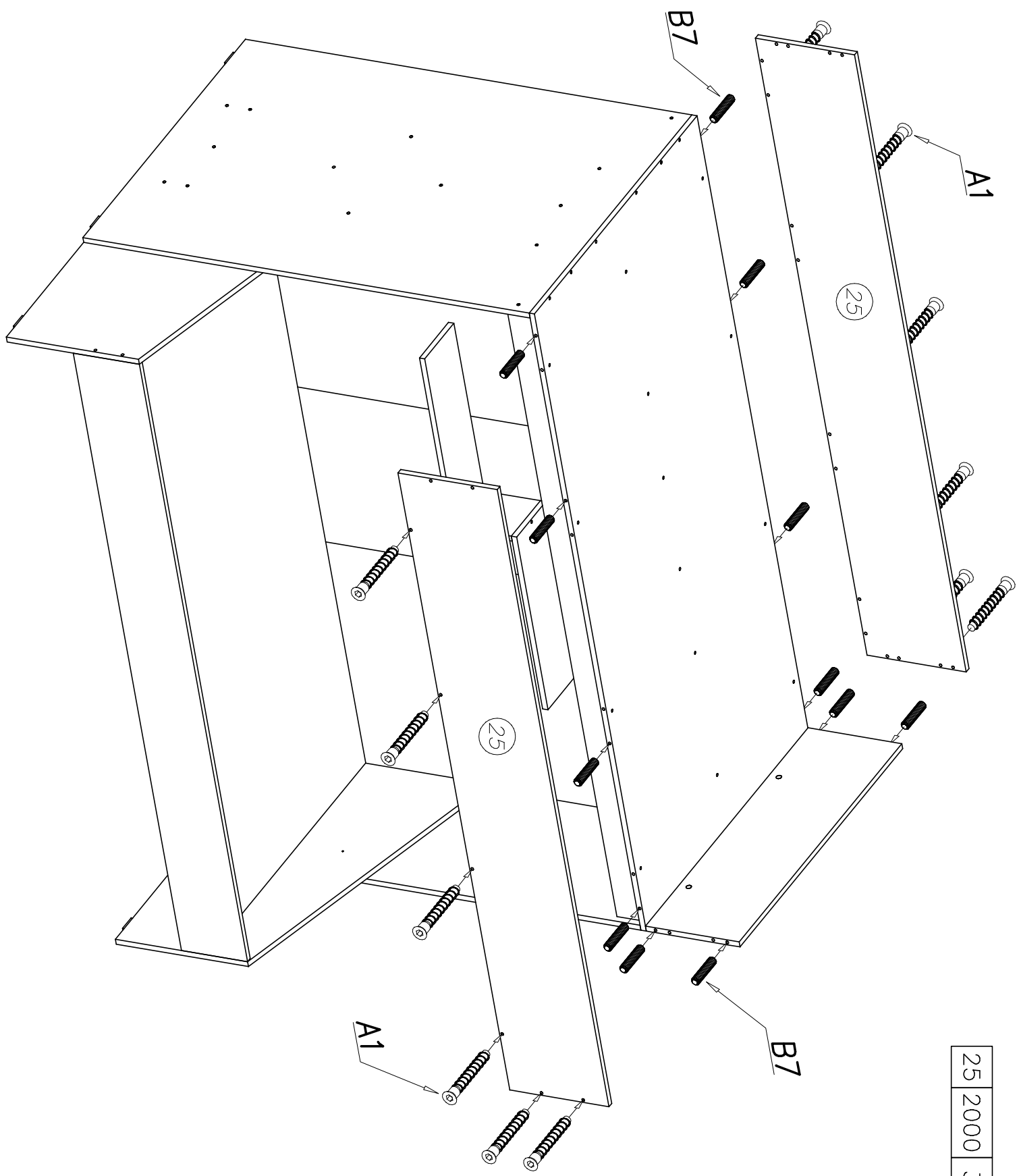
14	2000	900
----	------	-----



10

29	900	284
30	1850	900

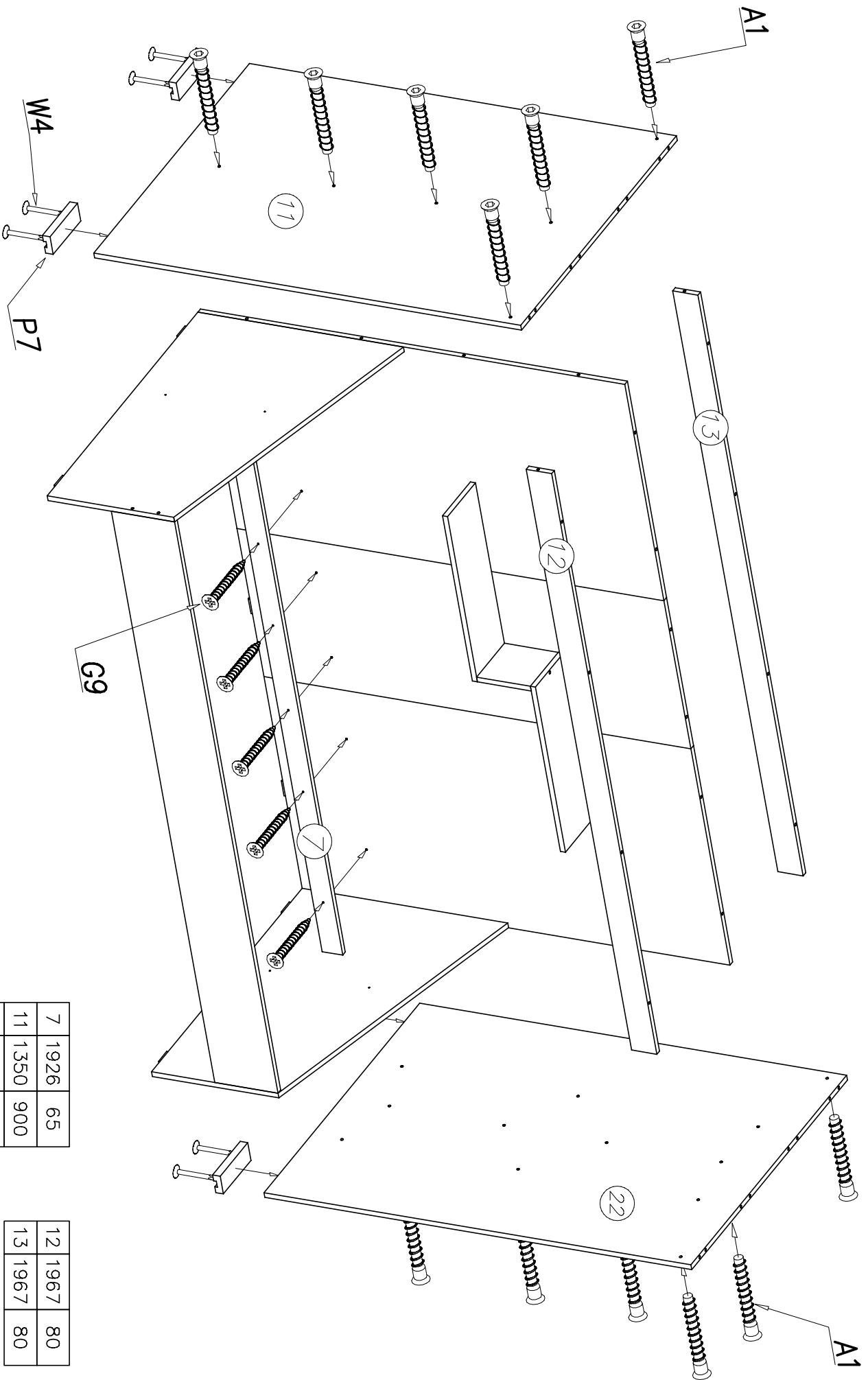




25	2000	300
----	------	-----

12

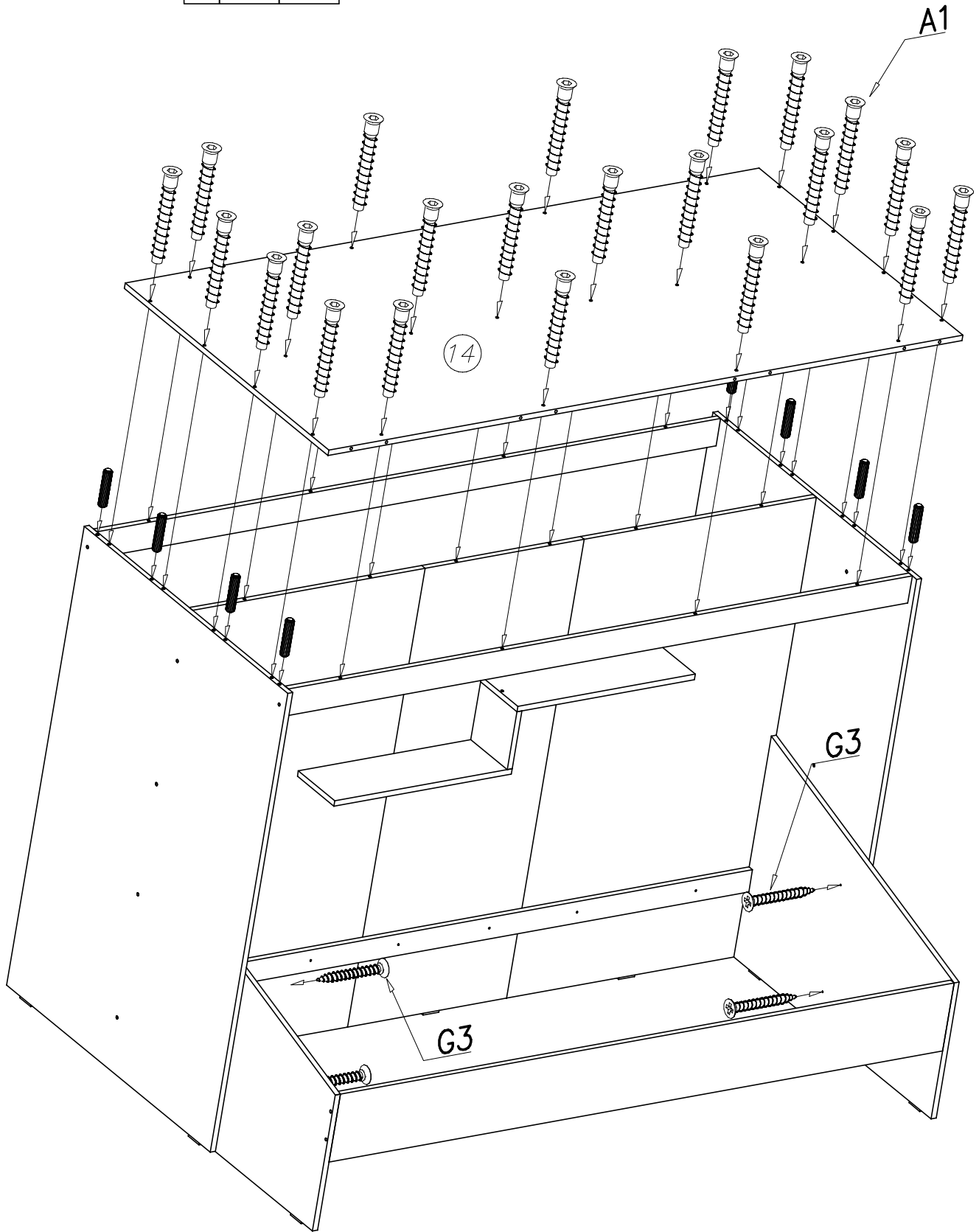
13



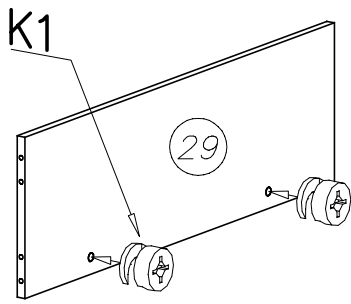
7	1926	65
11	1350	900
22	1350	900

12	1967	80
13	1967	80

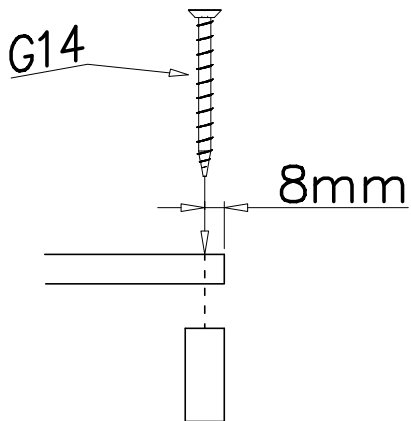
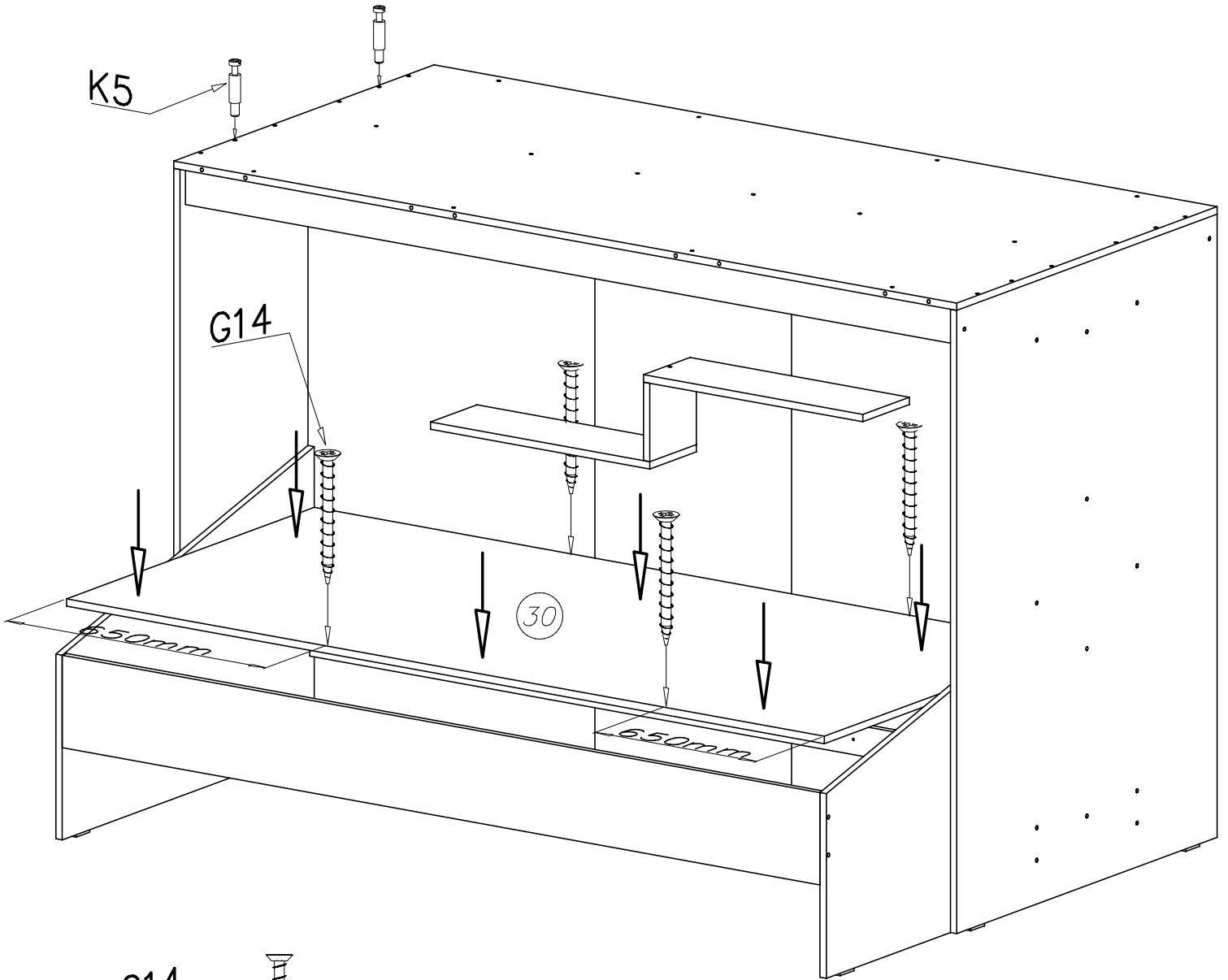




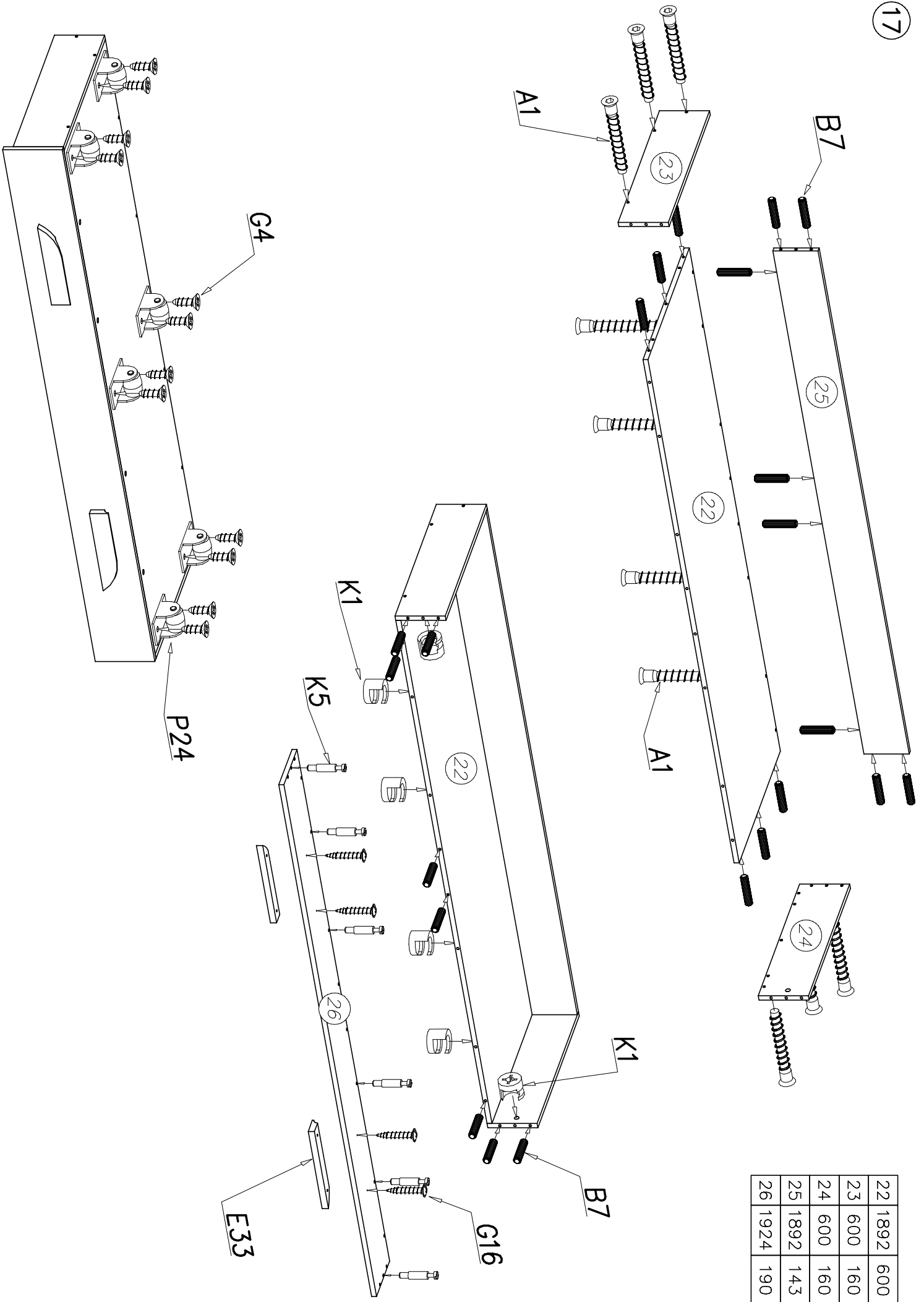
15



29	900	284
30	1850	900







22	1892	600
23	600	160
24	600	160
25	1892	143
26	1924	190