

I10		x4
G2		x24
3x20		
C4		x4
Z350D		
M1		x1
G14		x7
3,5x45		

W4		x156
W2		x1
4mm		
A1		x40
ø7x50		
P7		x18

P24		x6
K5		x94
G4		x32
4x16		
G16		x18
4x27		

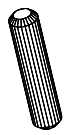

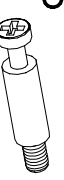
B1		x166
ø8x30		
K1		x94
ø15x12		
G6		x2
3x12		
E34		x9

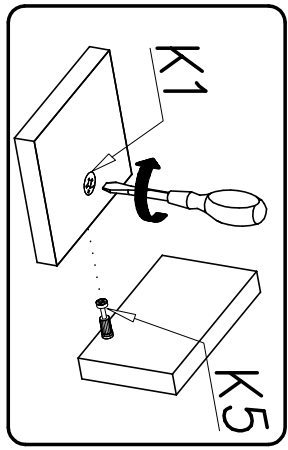
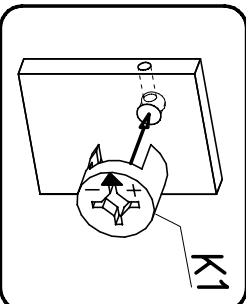
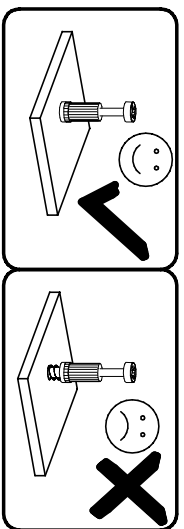
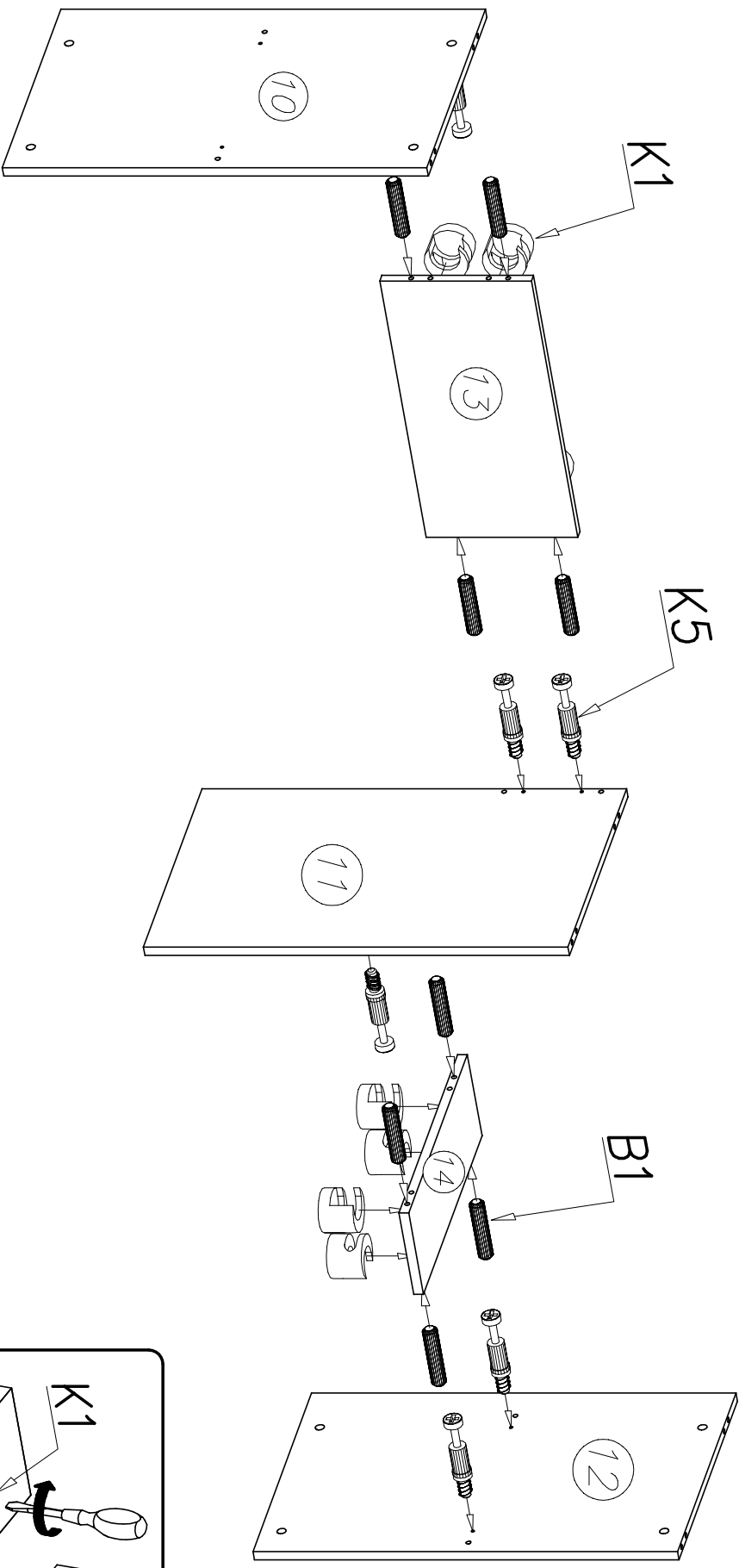
H9		x4
500mm		
S4		x2
S5		x1

G20		x24
5x13		
F2		x12
C3		x4
Z35PR		
D4		x8

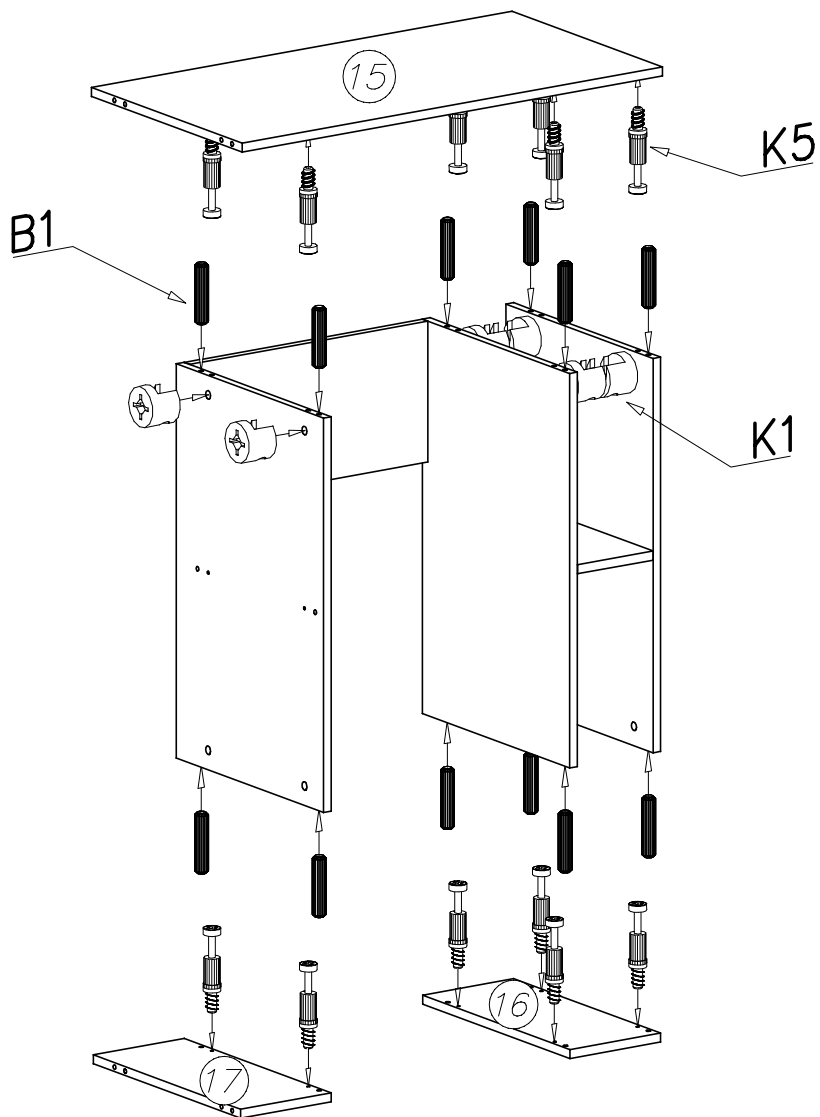
nr	L[mm]	B[mm]	T[mm]	Ilość	Paczka
1	880	450	16	1	4/7
2	880	218	16	2	4/7
3	900	450	16	1	4/7
4	680	234	16	2	4/7
5	700	450	16	1	4/7
6	480	234	16	2	4/7
7	500	450	16	1	4/7
8	743	446	3	1	5/7
9	1231	900	16	1	2/7
10	700	440	16	1	1/7
11	700	440	16	1	1/7
12	700	440	16	1	1/7
13	498	250	16	1	1/7
14	158	440	16	1	1/7
15	880	450	16	1	1/7
16	190	440	16	1	1/7
17	190	440	16	1	1/7
18	921	496	16	1	6/7
19	174	440	16	1	1/7
20	931	900	16	1	3/7
21	931	900	16	1	3/7
22	281	900	16	4	2/7

nr	L[mm]	B[mm]	T[mm]	Ilość	Paczka
23	931	900	16	1	3/7
24	931	900	16	1	3/7
25	281	70	16	2	2/7
26	418	130	16	2	2/7
27	467	300	16	1	4/7
28	467	300	16	1	4/7
29	467	900	16	1	2/7
30	931	900	16	1	3/7
31	2000	900	16	1	5/7
32	2014	930	16	1	5/7
33	1231	900	16	1	2/7
34	500	283	16	1	1/7
35	2017	300	16	1	5/7
36	2017	300	16	1	5/7
37	445	228	16	4	7/7
38	500	180	16	4	5/7
39	500	180	16	4	5/7
40	361	180	16	4	1/7
41	392	505	3	4	5/7
42	921	496	16	1	6/7
43	446	480	16	1	1/7
44	281	900	16	2	2/7
45	445	228	16	1	7/7
46	445	228	16	2	7/7

B1		K1		K5	
ø8x30	x8	ø15x12	x8	x8	

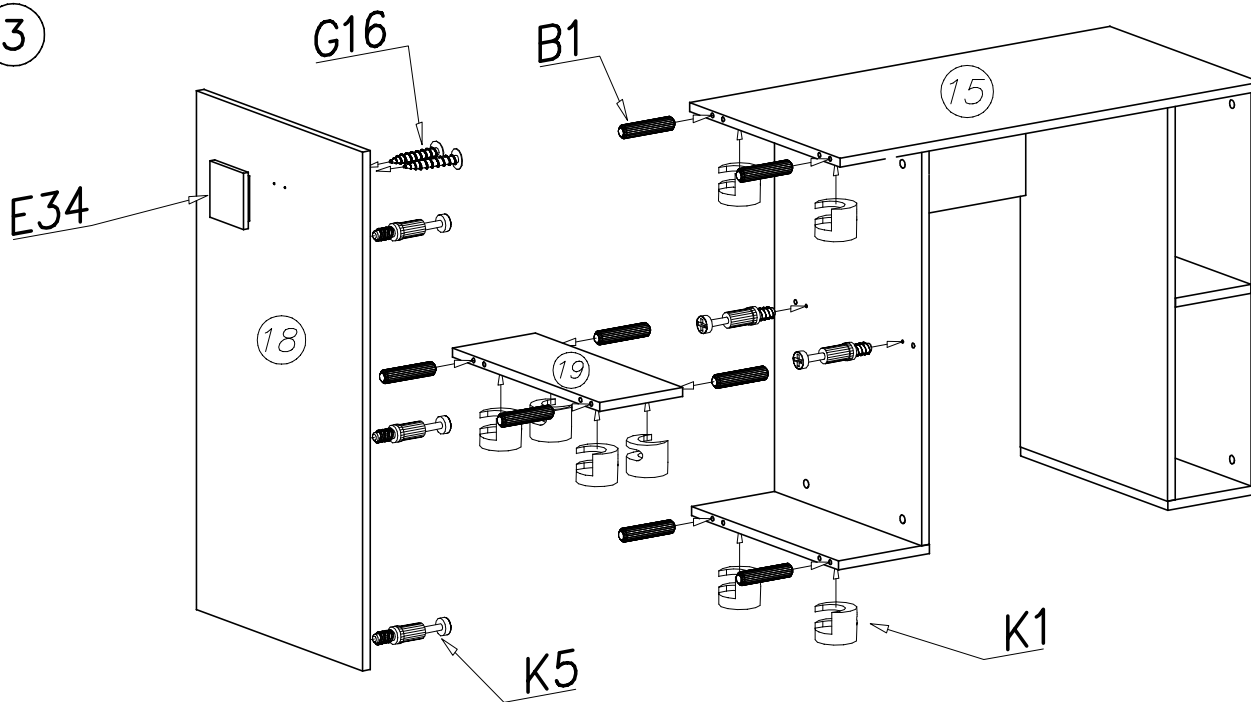


2




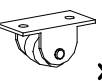
K5		x12
B1		x12
	Ø8x30	
K1		x12
	Ø15x12	

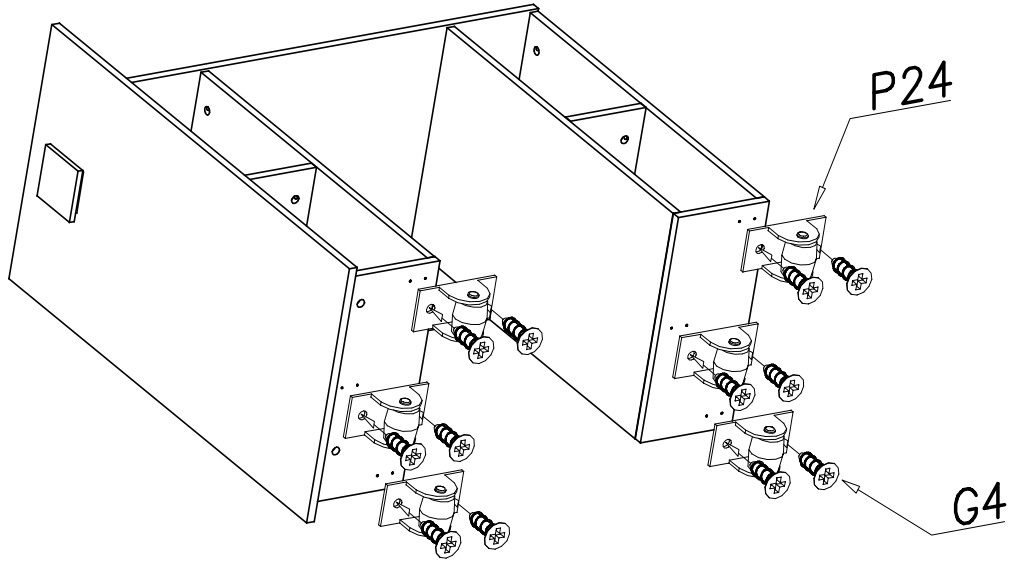
3



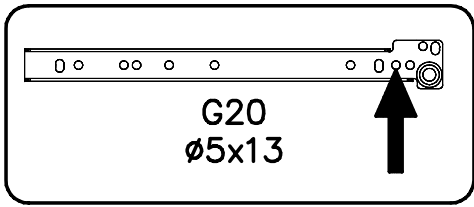
G16		4x27	x2	E34		x1	B1		Ø8x30	x8	K1		Ø15x12	x8	K5		x8
-----	--	------	----	-----	--	----	----	--	-------	----	----	--	--------	----	----	--	----



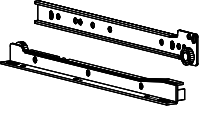

4

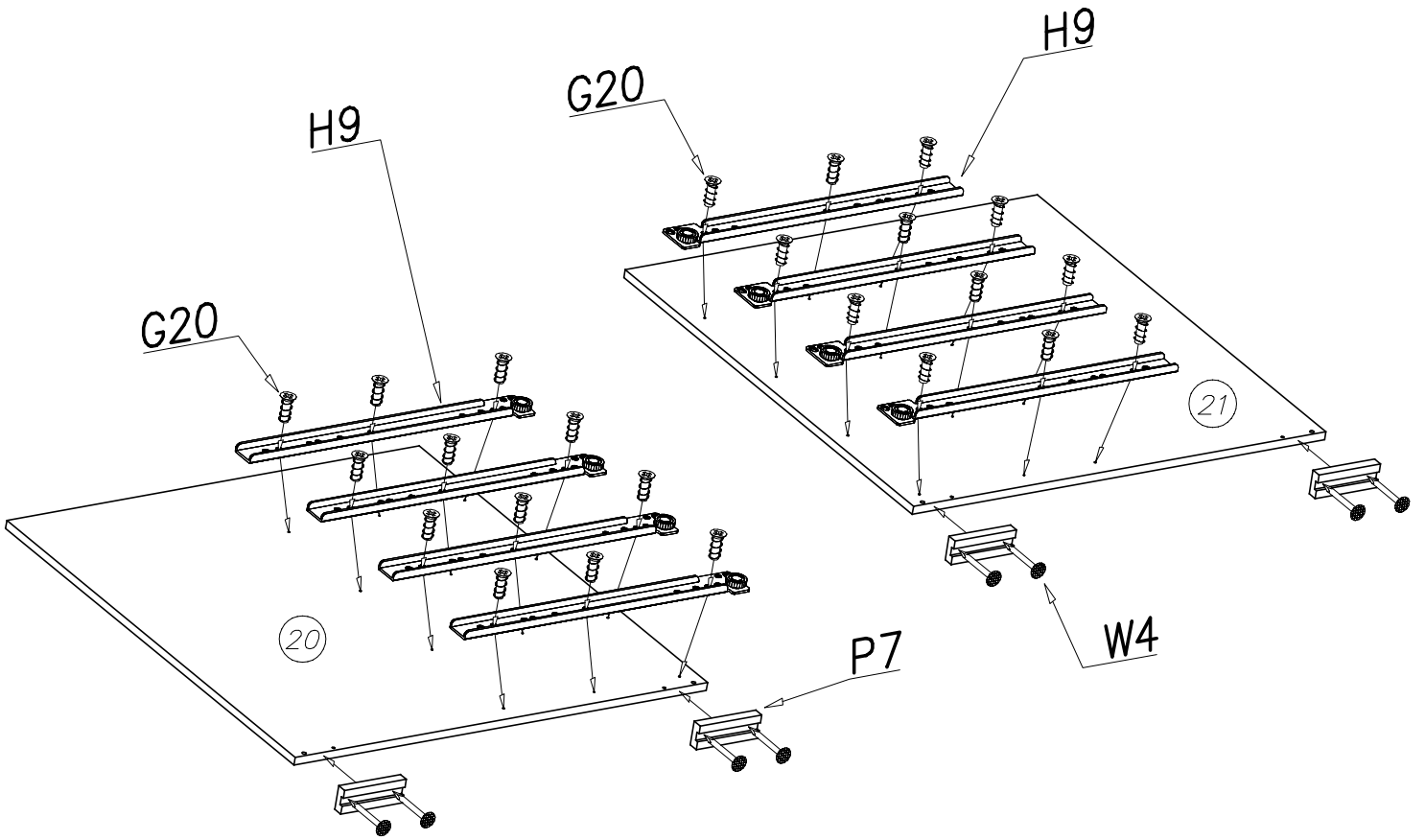
G4		P24	
4x16	x12		x6





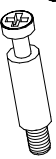


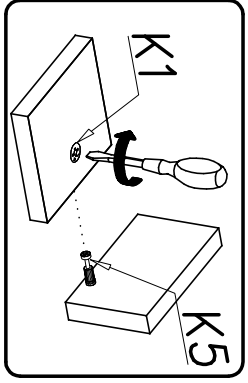
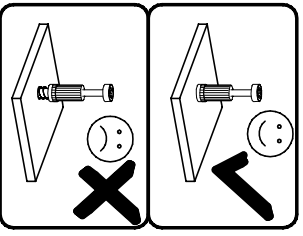
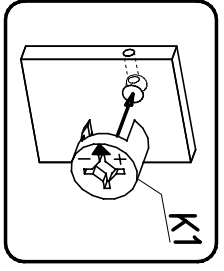
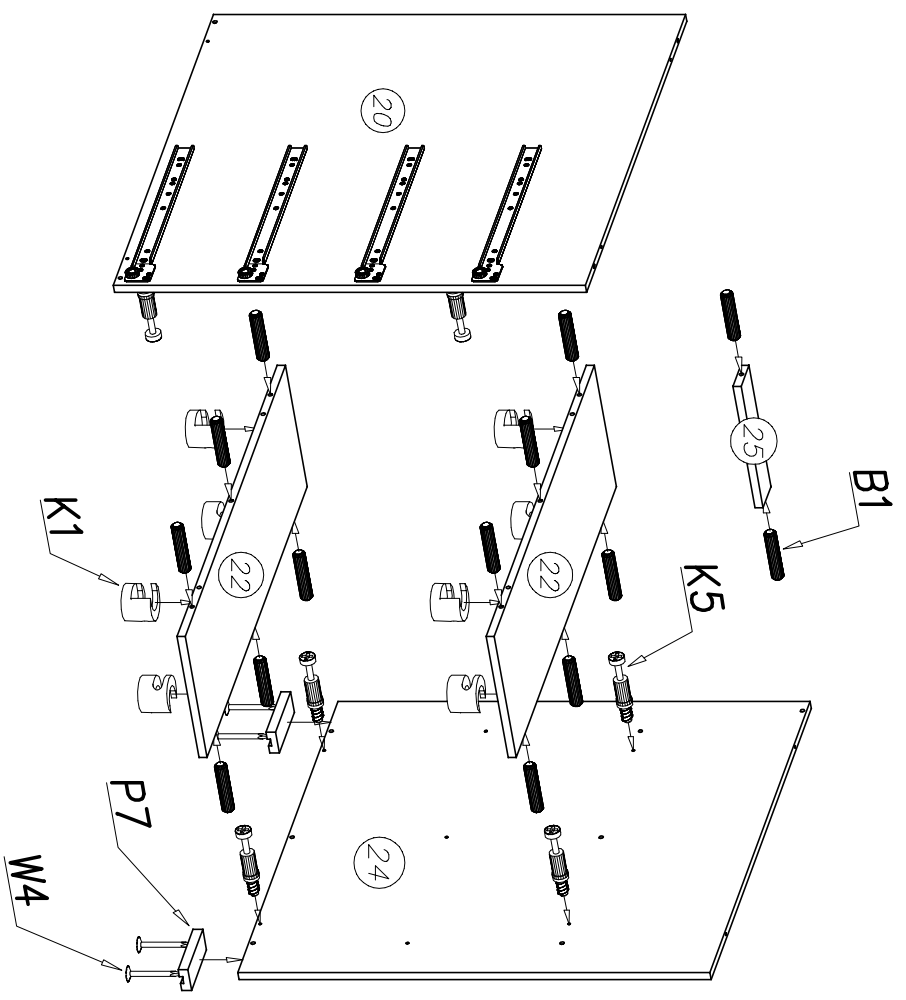
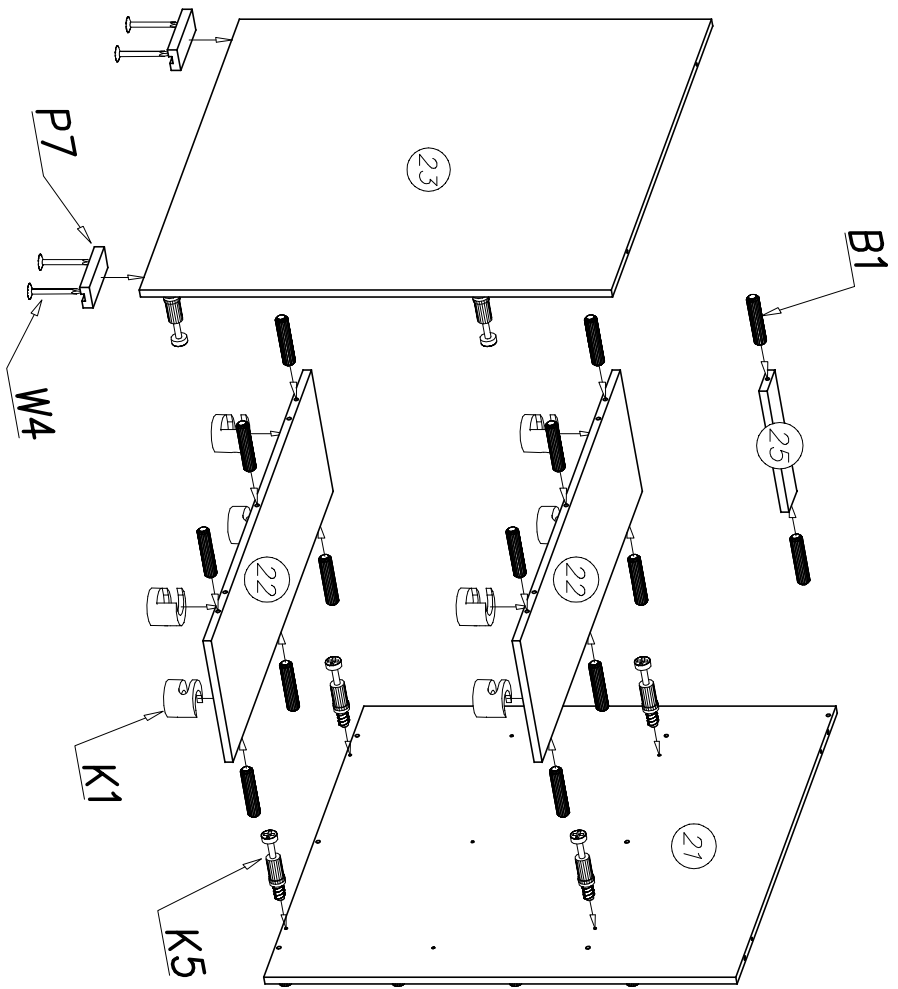
5

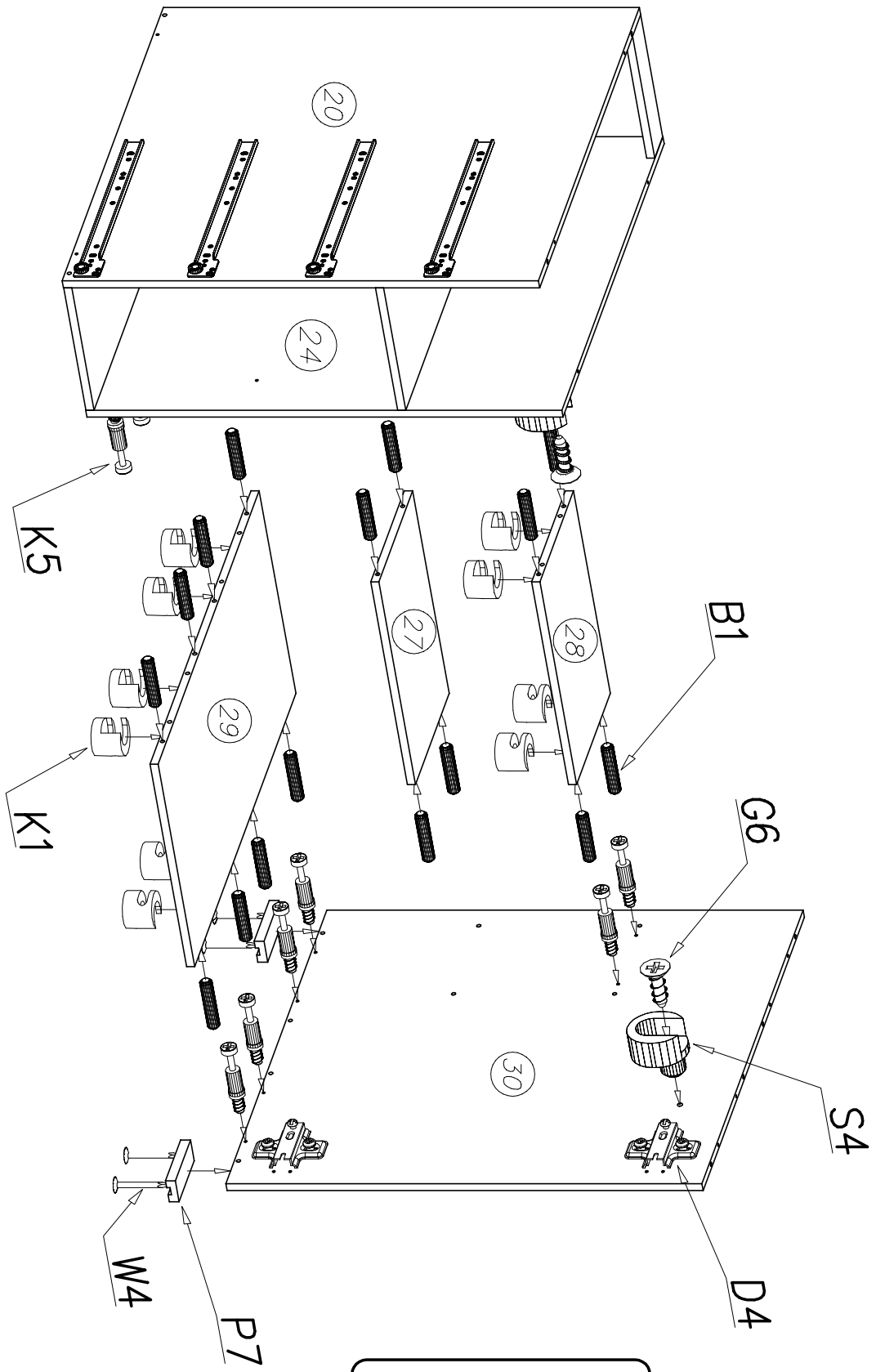


W4		G20		H9	
	x8	5x13	x24		
		P7			500mm
			x4		x4



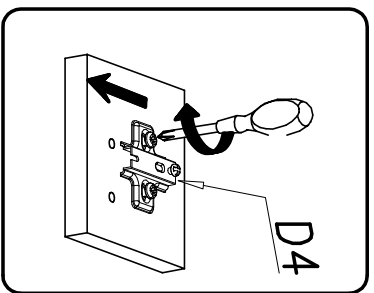
W4	P7	B1	K1	K5
				
x8	x4	ø8x30	ø15x12	x16
		x28	x16	x16

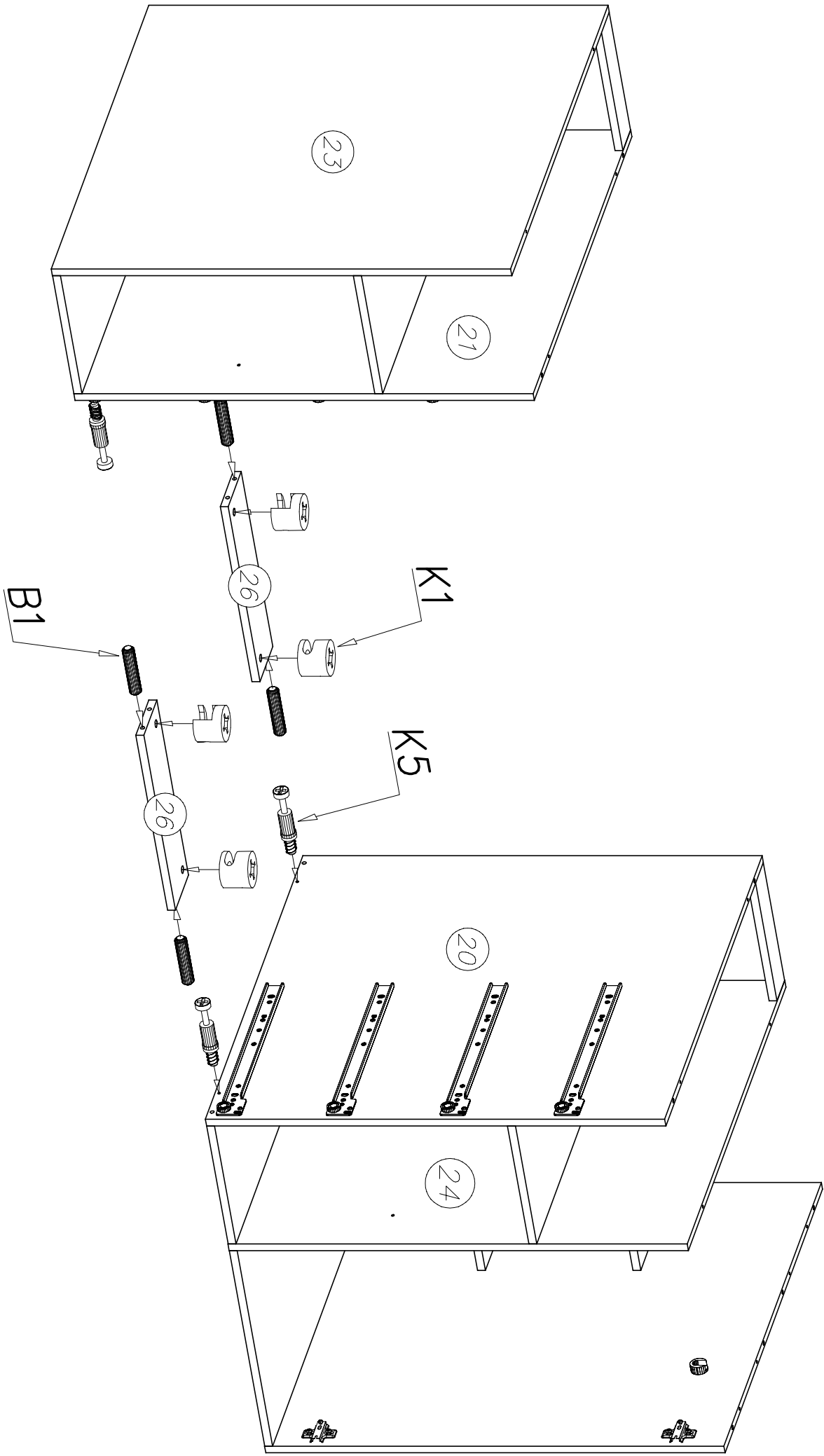




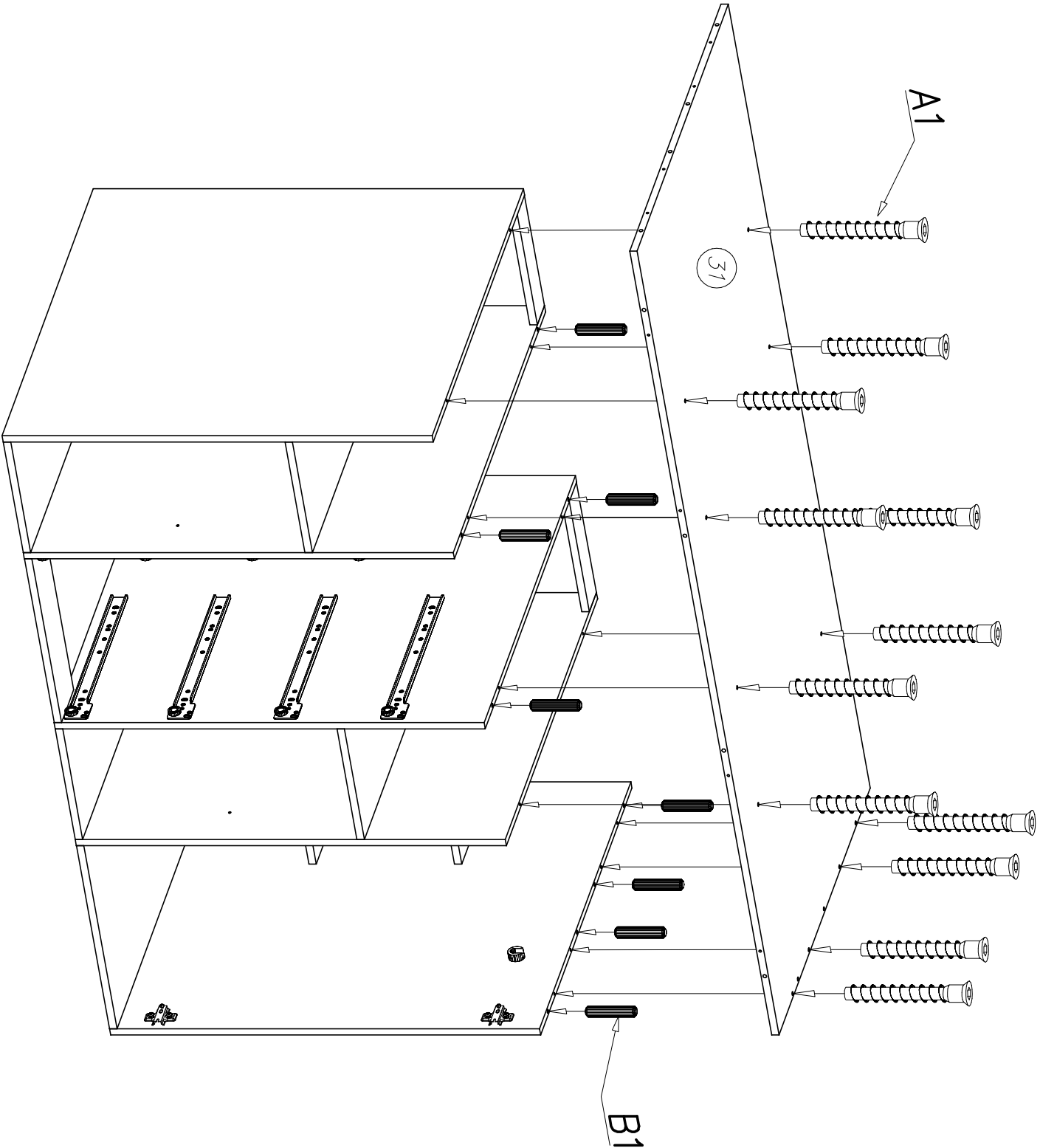
G6		S4		W4		P7		B1		K1		K5	
3x12		x2	x2	x4	x4	x2	ø8x30	x16	ø15x12	x12	x12	x12	




D4		K5	
x2	x2	x12	



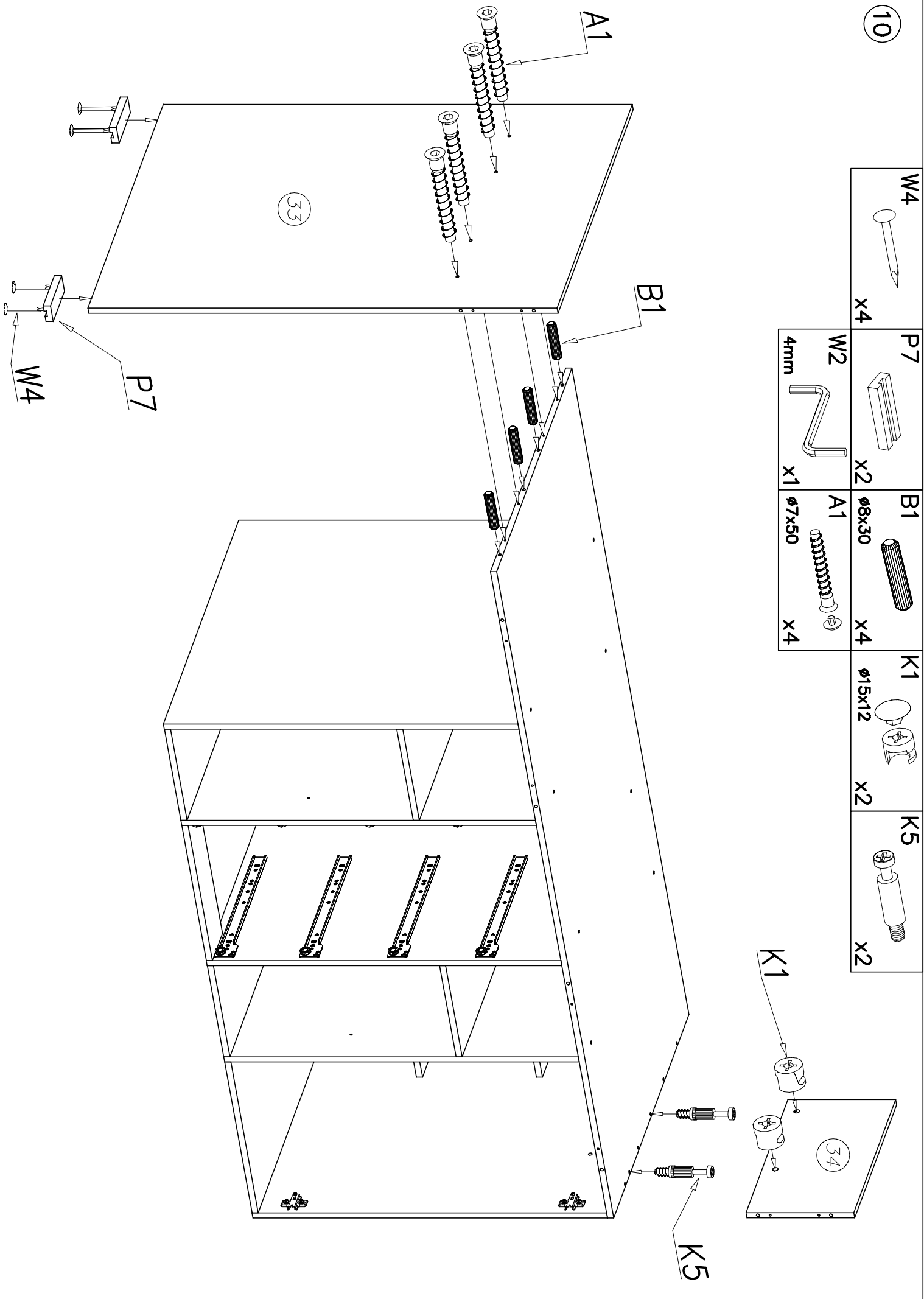



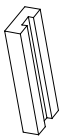



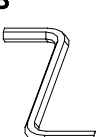

B1		K1		K5	
Ø8x30		Ø15x12			
X4		X4			X4

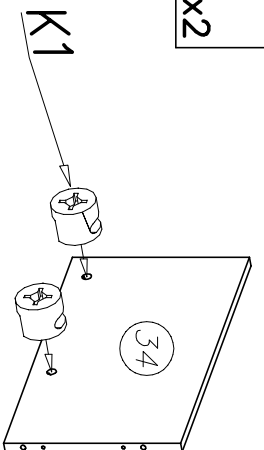


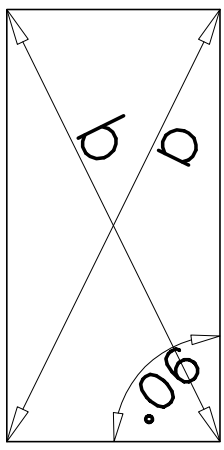
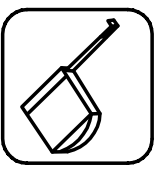
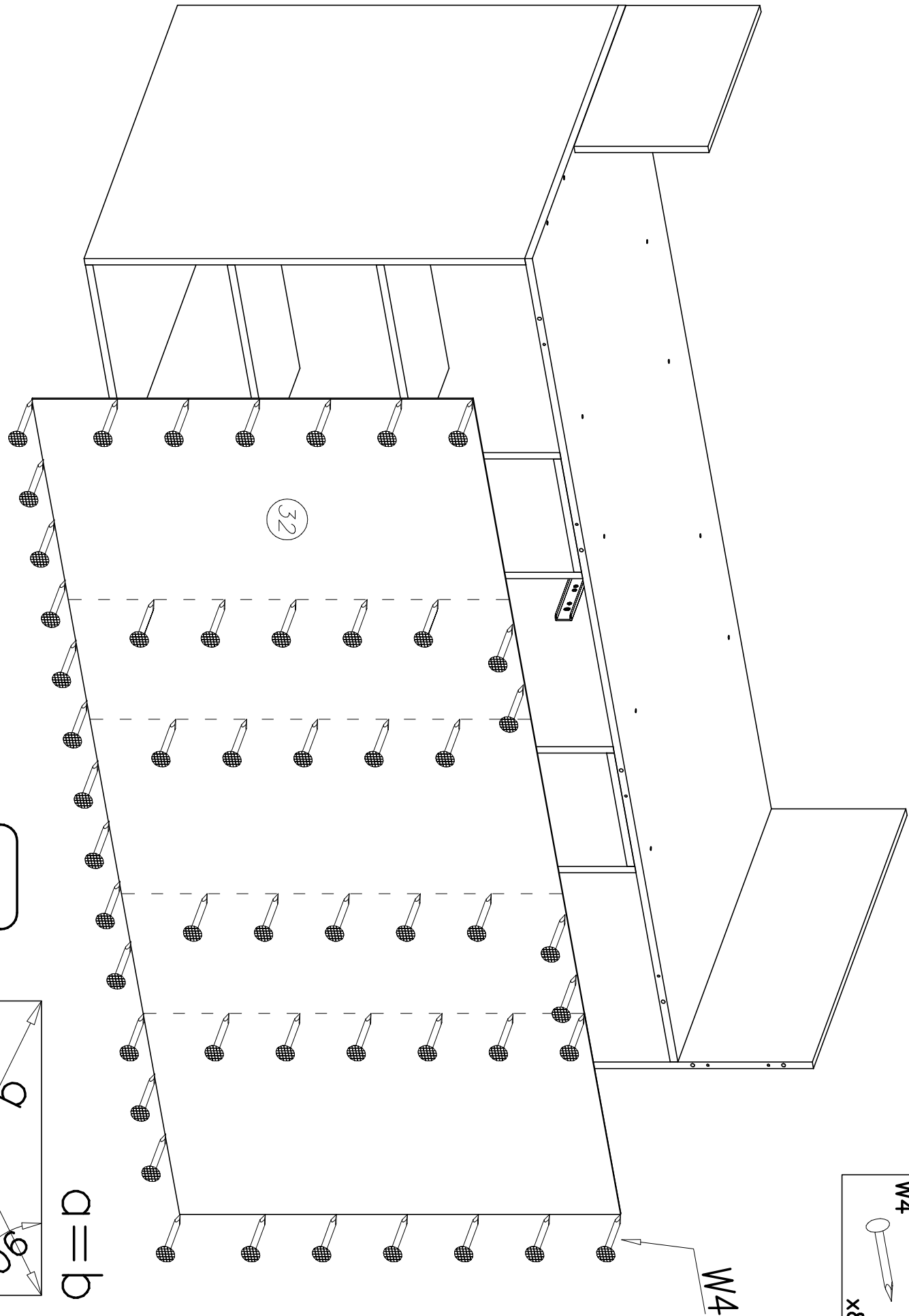
W2		x1
4mm		
A1		x12
ø7x50		
B1		x8
ø8x30		

10

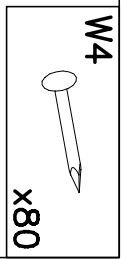


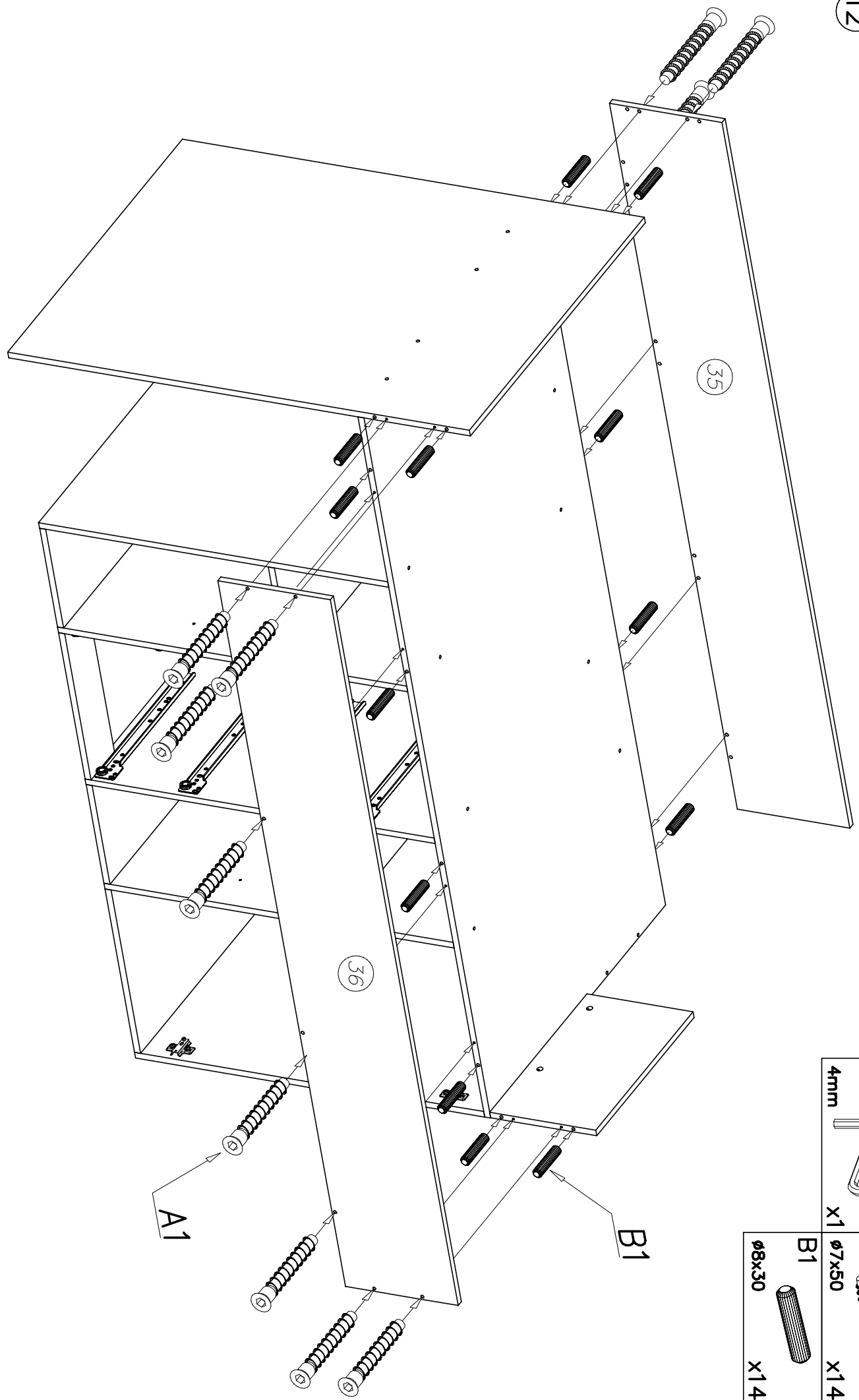
W4		x4	P7		x2	B1		x4	K1		x2	K5		x2
			W2		x1	A1		x4	ø15x12					
			4mm			ø8x30								



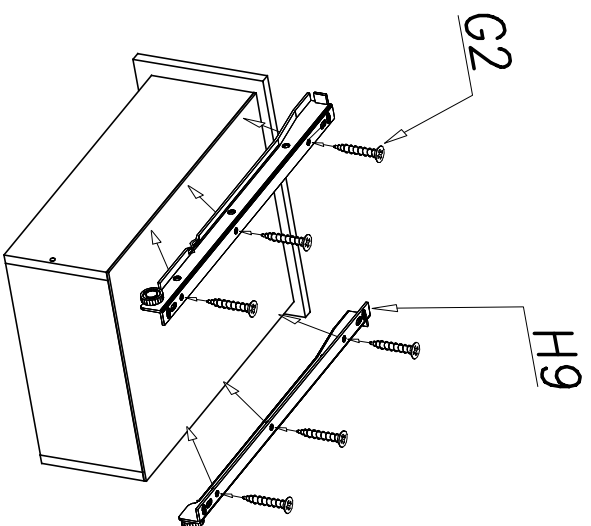
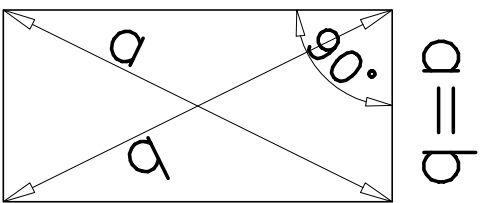
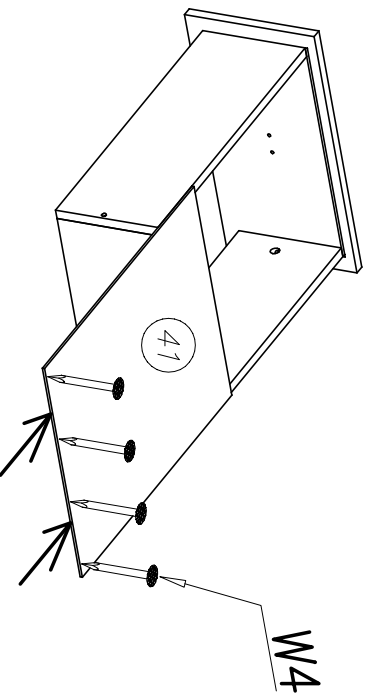
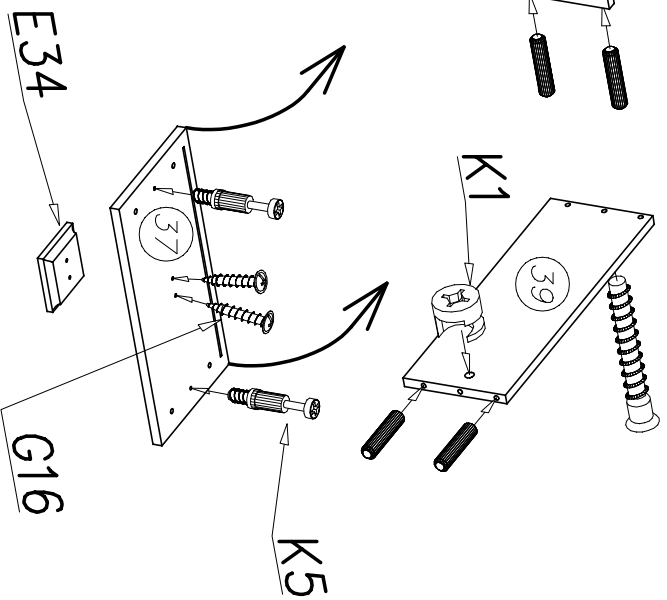
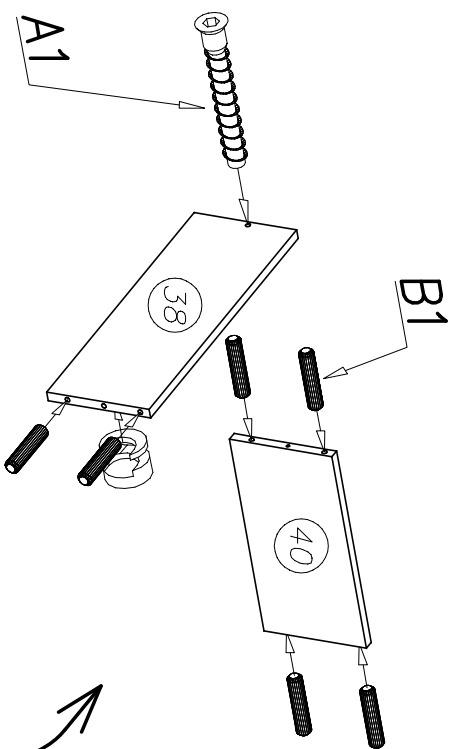


a = b





W2		A1	
4mm		Ø7x50	x14
x1		B1	
		Ø8x30	x14



W2	
4mm	x1

W4	
x20	

H9	
x4	

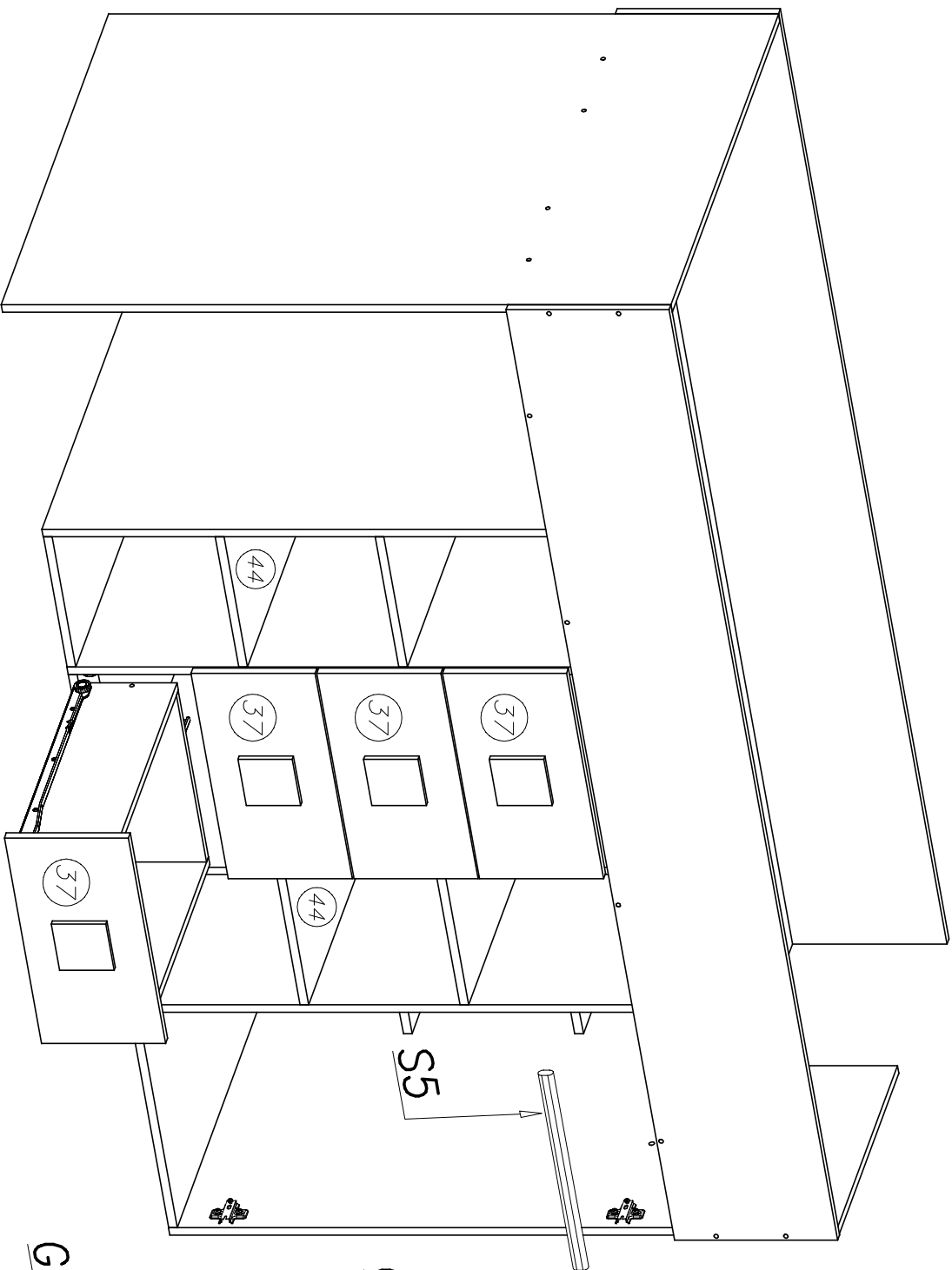
G2	
x20	
E34	
x4	
K1	
x8	

K5	
x8	

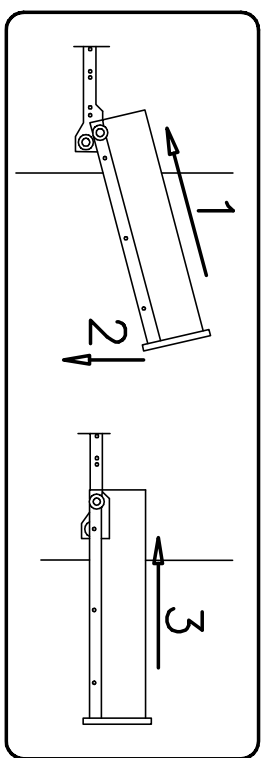
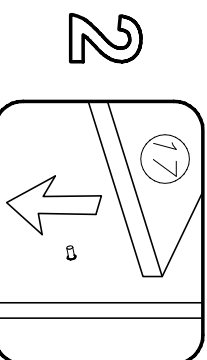
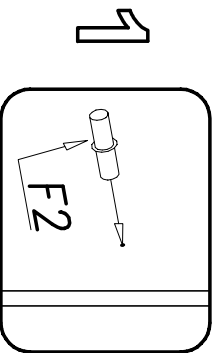
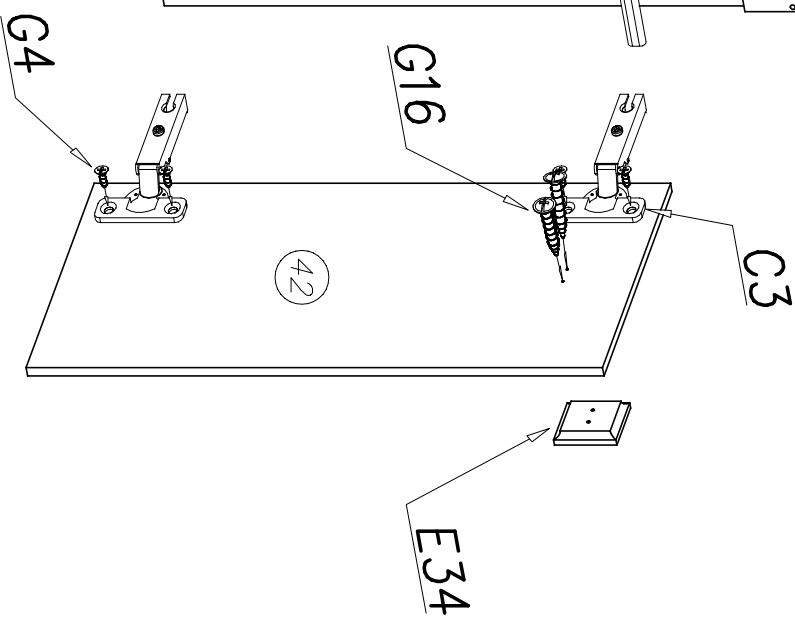
G16	
x8	

A1	
x8	

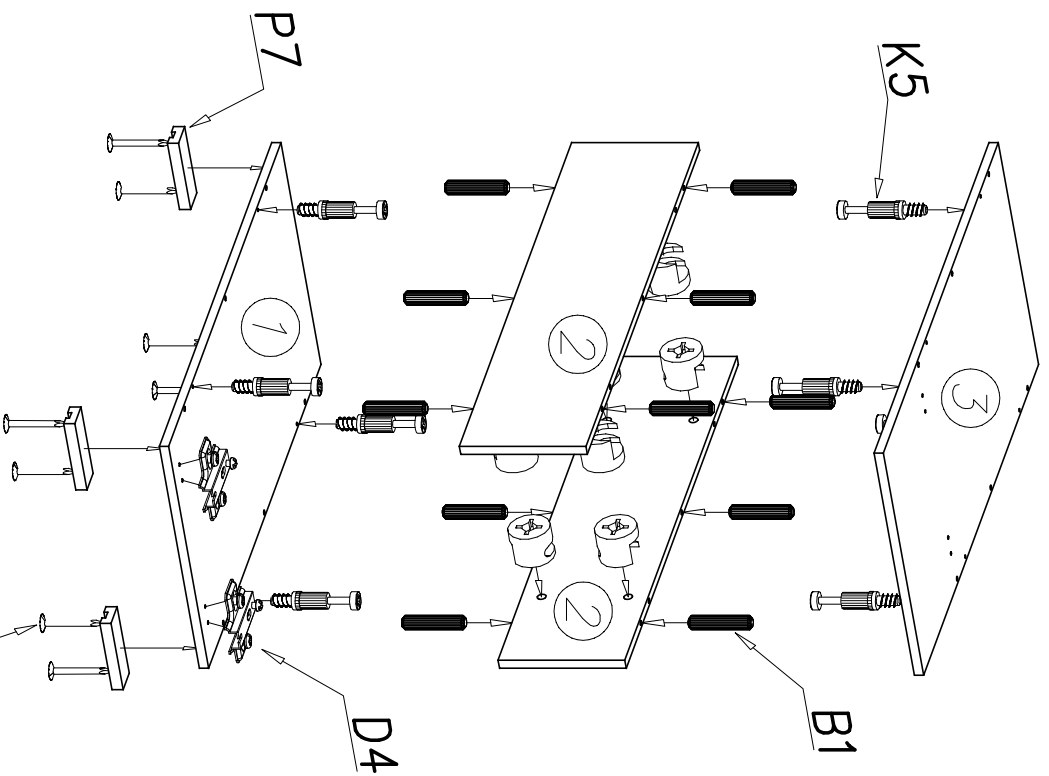
B1	
x32	



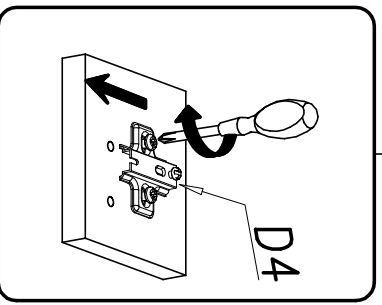
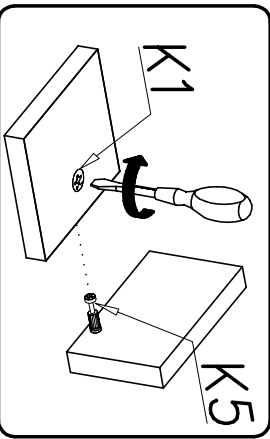
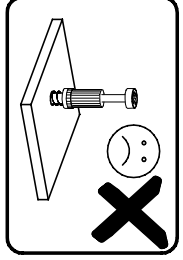
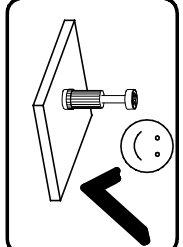
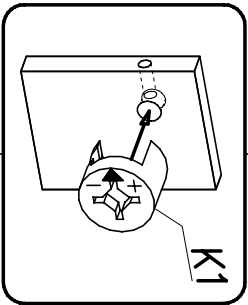
G4		x4	F2		x12
4x16		x1	C3		x2
S5		x2	E34		x1
G16					
4x27					



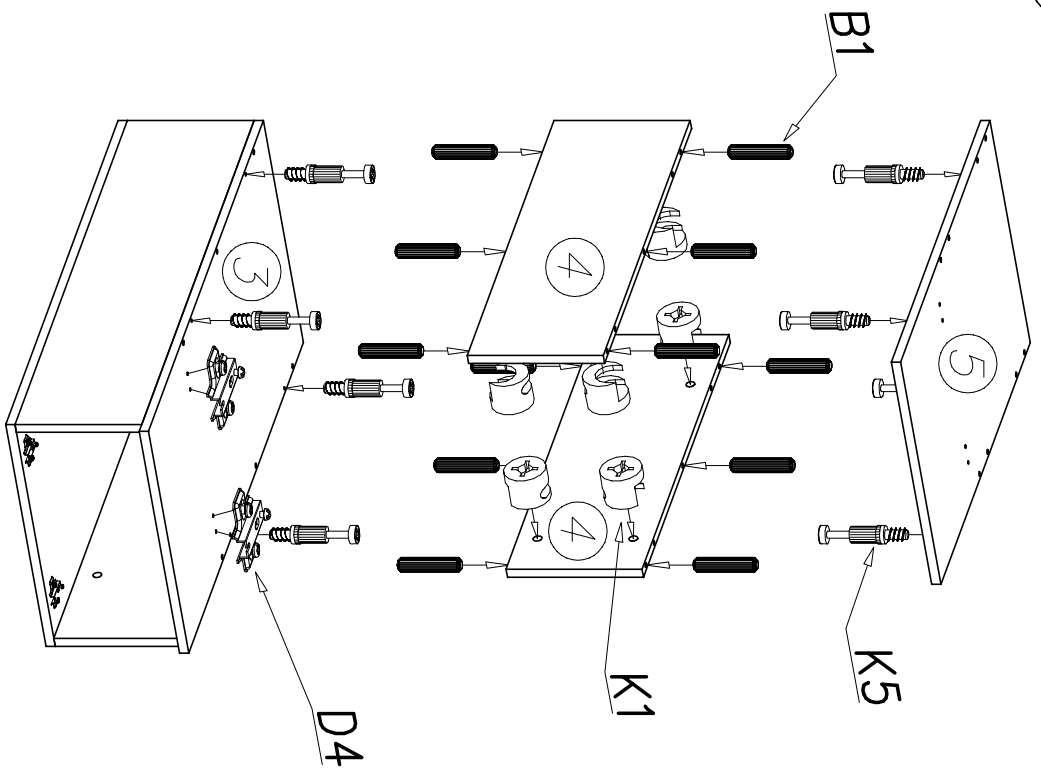
15



B1	Ø8x30	P7	K1	K5
x12	x12	x4	Ø15x12	x8
D4	W4	K1	K5	
x2	x8	Ø15x12	x8	

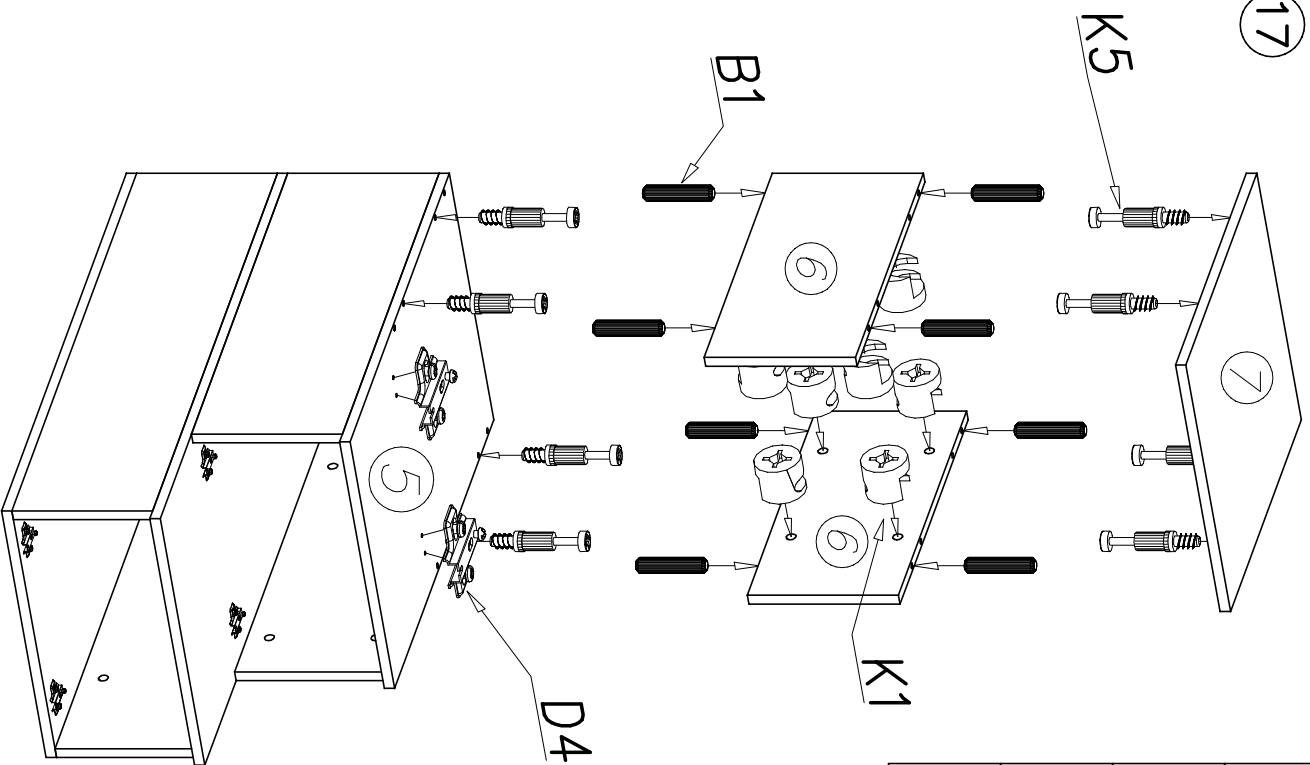


16



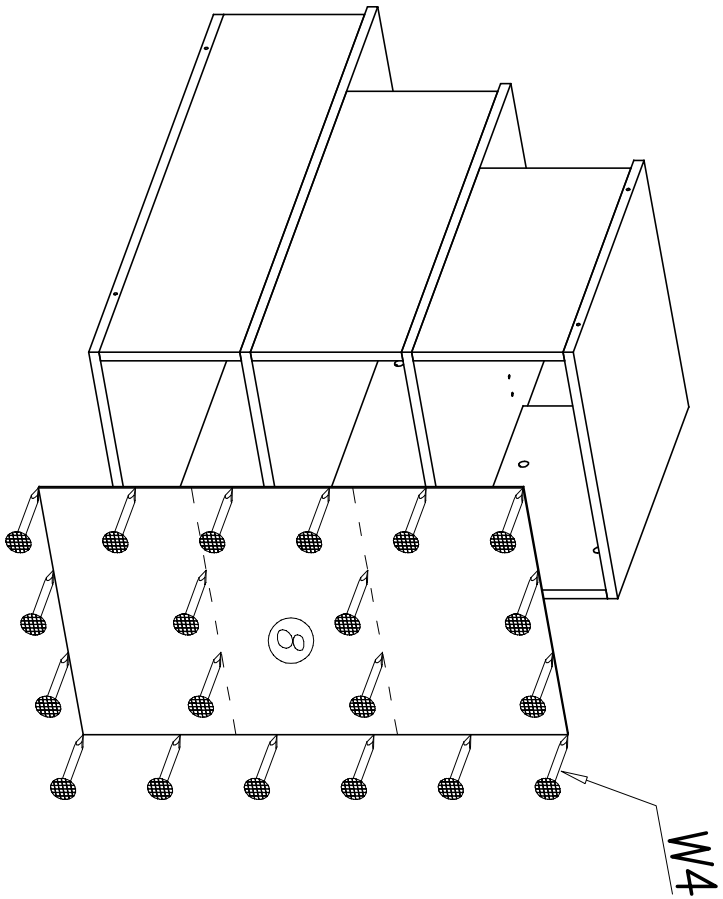
D4	B1	K1	K5
x2	Ø8x30	Ø15x12	x8
D4	B1	K1	K5
x2	Ø8x30	Ø15x12	x8

17

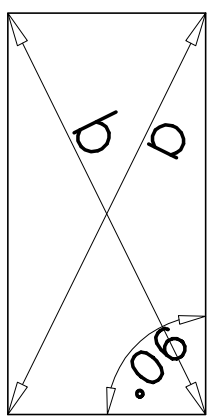


D4		x2
B1		x8
K1		x8
K5		x8

18

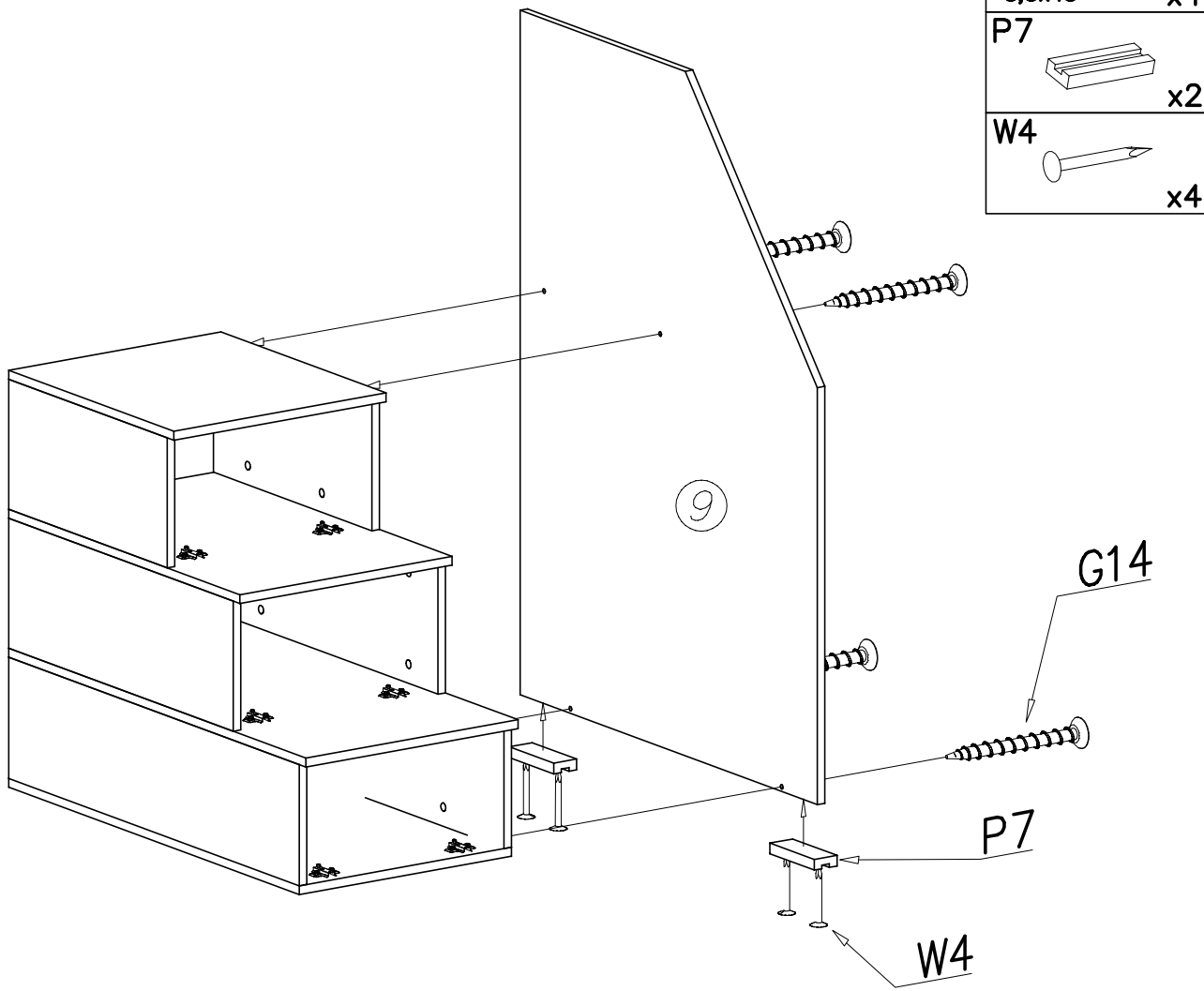


W4		x20
----	--	-----

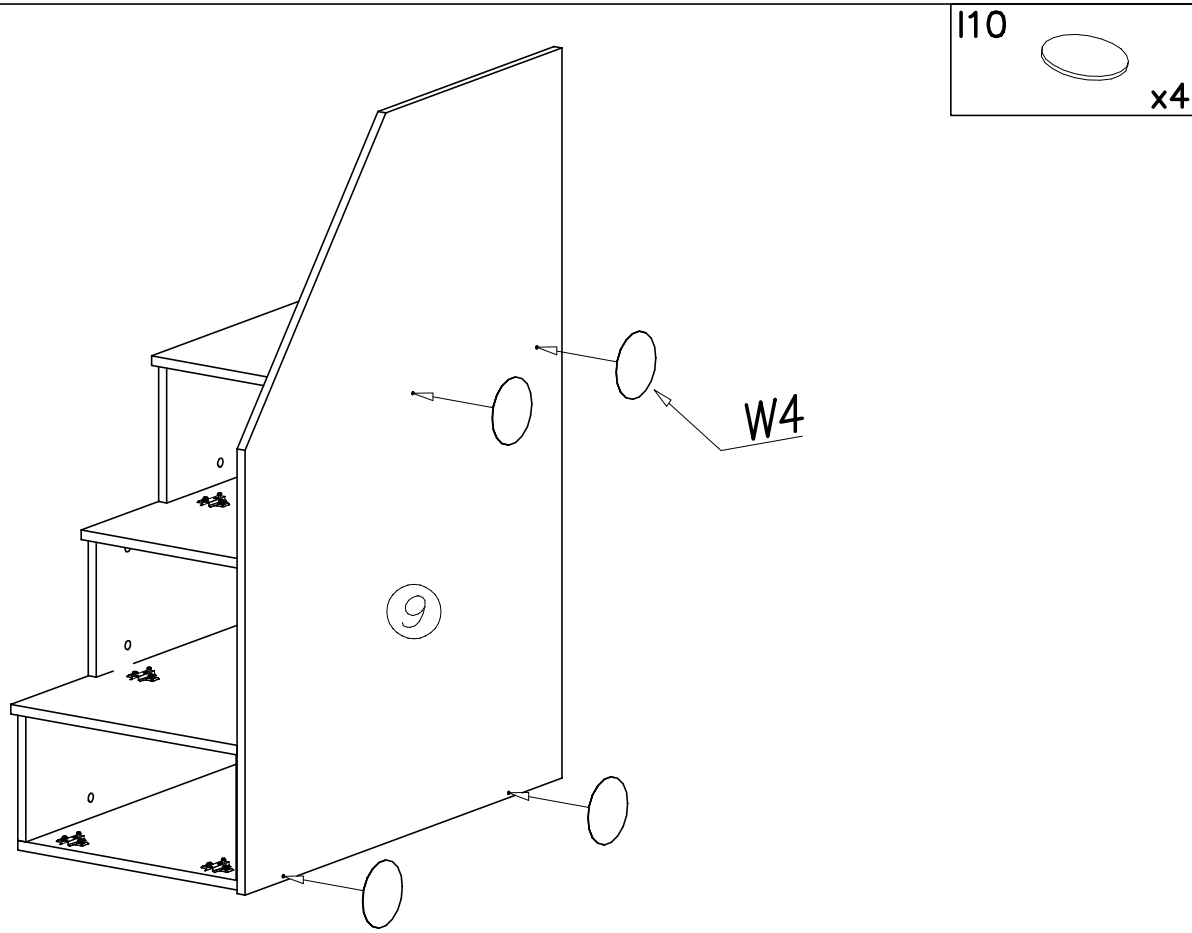


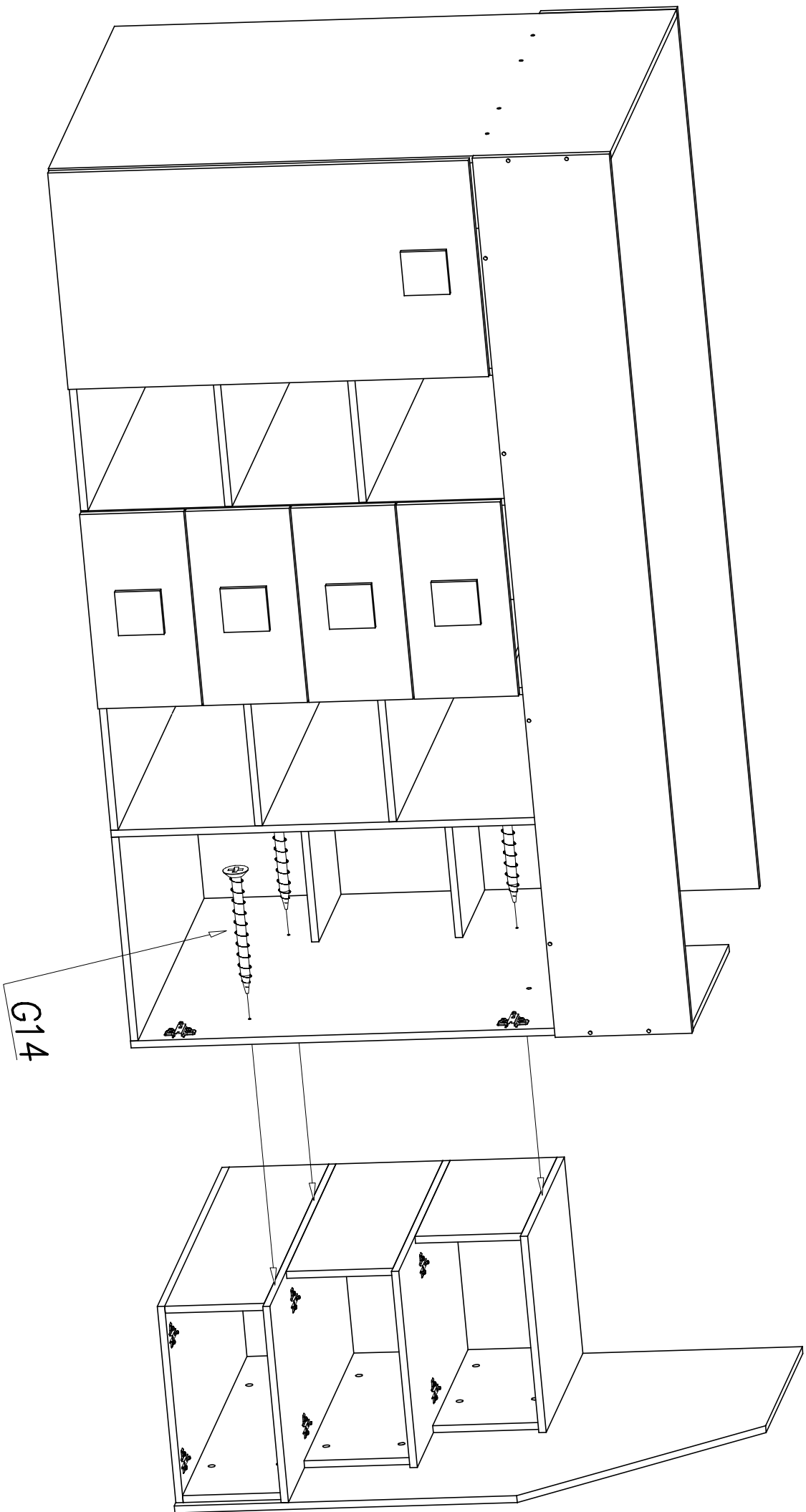
$a = b$

19

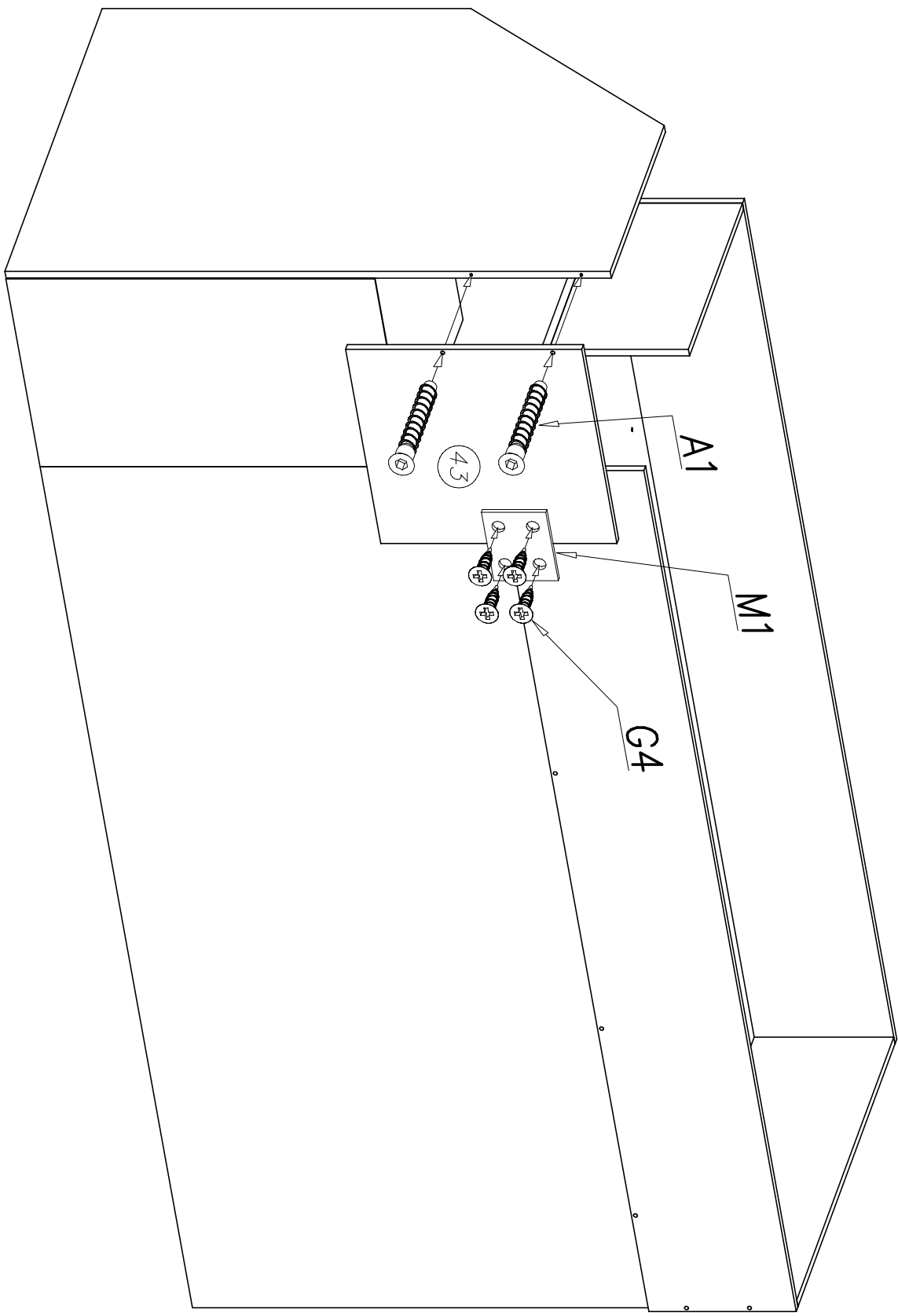


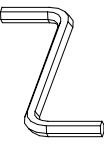

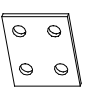

20

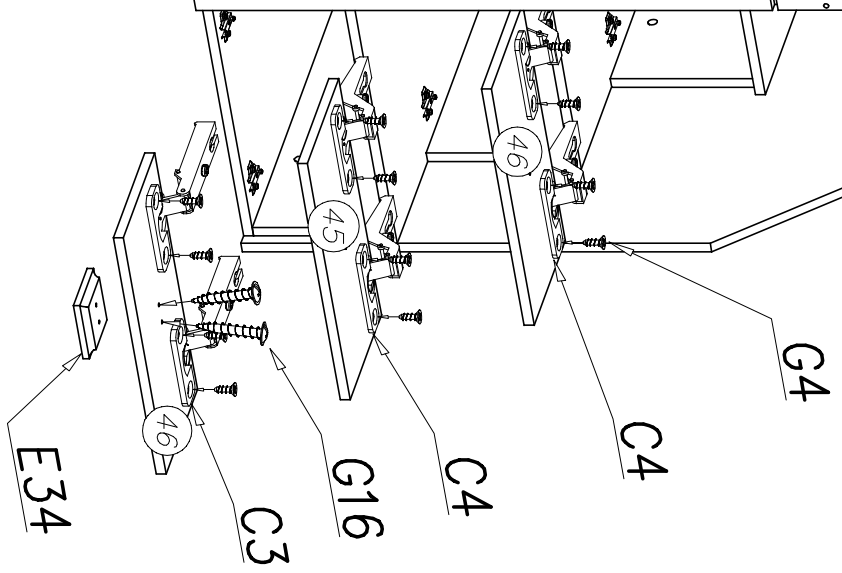
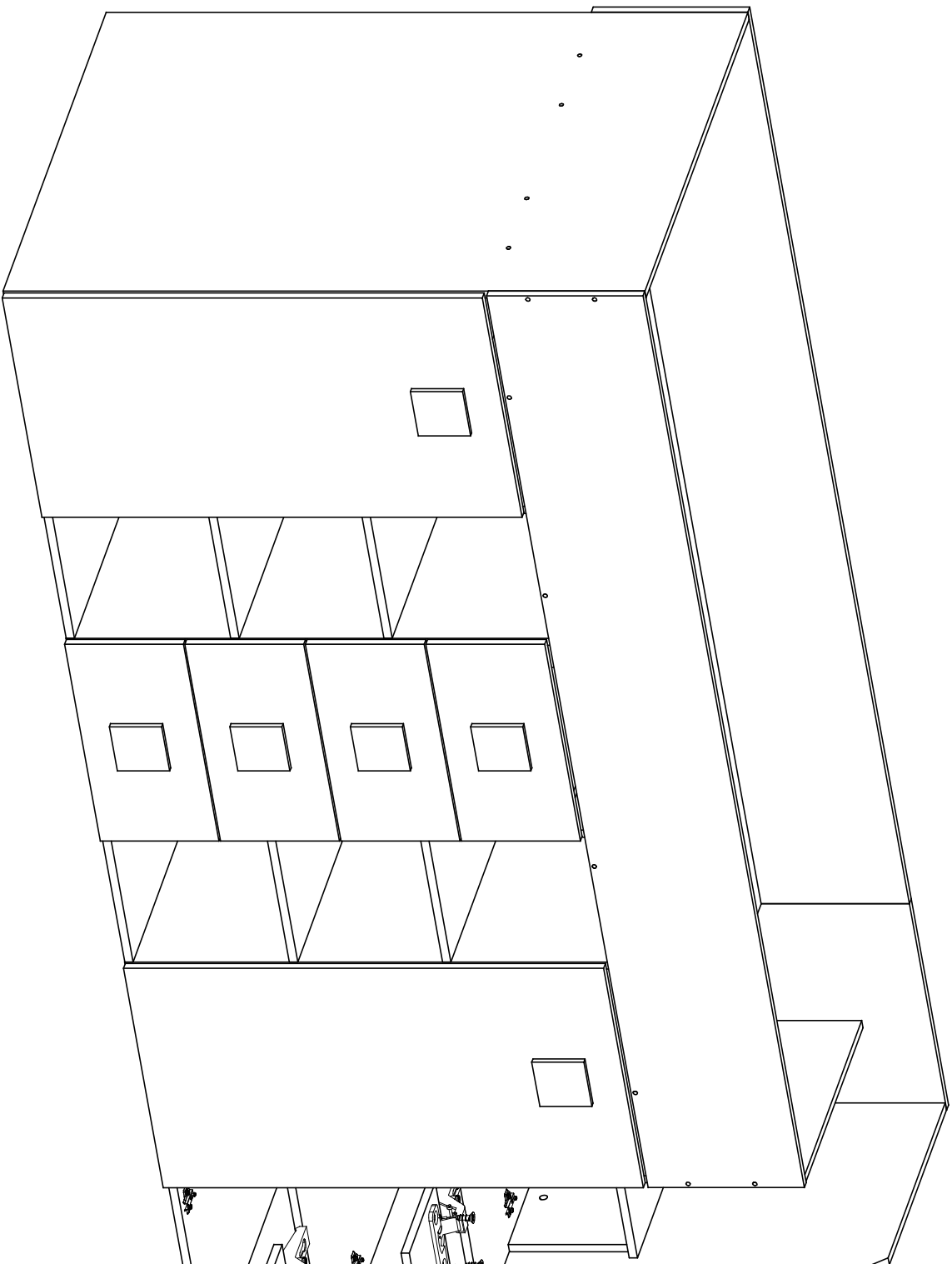






G14
3,5x45
X3

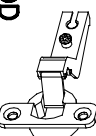


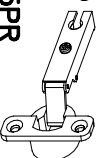
W2 4mm		A1 ø7x50		M1		G4 4x16	
X1		X2		X1		X4	



G16  4x27 x6

E34  x3

C4  Z350D x4

C3  Z35PR x2

G4  4x16 x12