

I10		x4
G2		x24
3x20		
C4		x4
Z350D		
M1		x1
G14		x7
3,5x45		

W4		x156
W2		x1
4mm		
A1		x40
ø7x50		
P7		x18

P24		x6
K5		x94
G4		x32
4x16		
G16		x18
4x27		

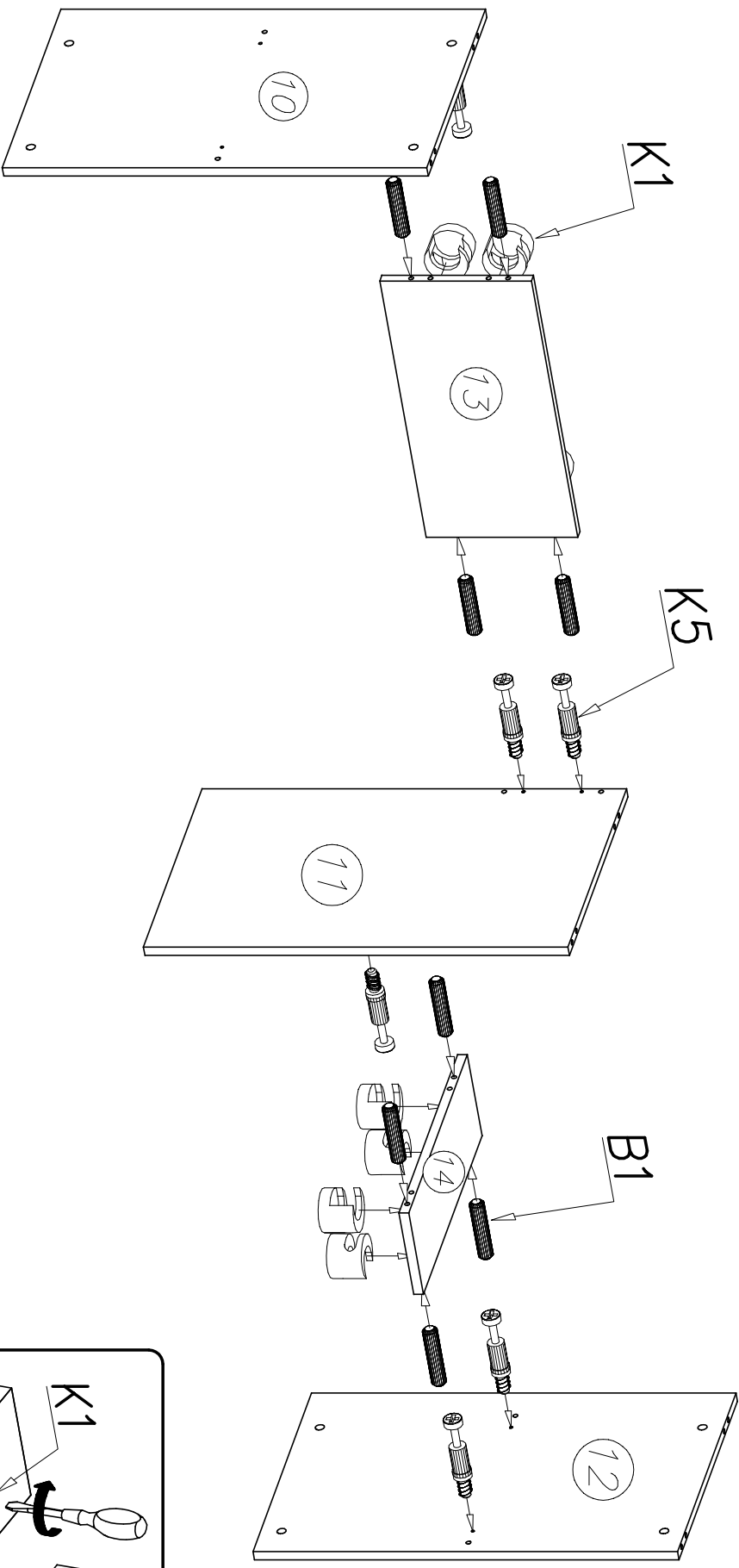
B1		x166
ø8x30		
K1		x94
ø15x12		
G6		x2
3x12		
E34		x9

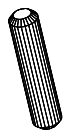

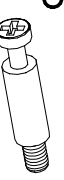
H9		x4
500mm		
S4		x2
S5		x1

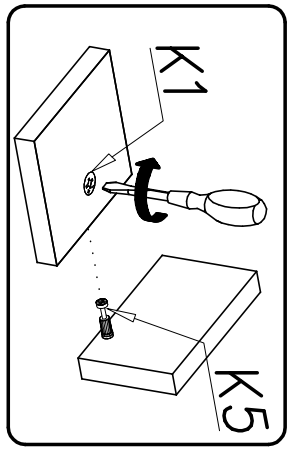
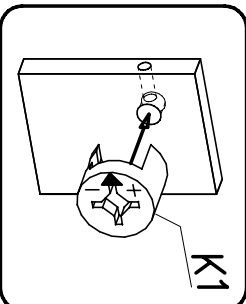
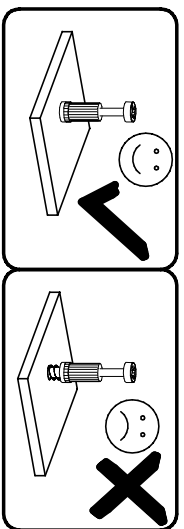
G20		x24
5x13		
F2		x12
C3		x4
Z35PR		
D4		x8

nr	L[mm]	B[mm]	T[mm]	Ilość	Paczka
1	880	450	16	1	4/7
2	880	218	16	2	4/7
3	900	450	16	1	4/7
4	680	234	16	2	4/7
5	700	450	16	1	4/7
6	480	234	16	2	4/7
7	500	450	16	1	4/7
8	743	446	3	1	5/7
9	1231	900	16	1	2/7
10	700	440	16	1	1/7
11	700	440	16	1	1/7
12	700	440	16	1	1/7
13	498	250	16	1	1/7
14	158	440	16	1	1/7
15	880	450	16	1	1/7
16	190	440	16	1	1/7
17	190	440	16	1	1/7
18	921	496	16	1	6/7
19	174	440	16	1	1/7
20	931	900	16	1	3/7
21	931	900	16	1	3/7
22	281	900	16	4	2/7

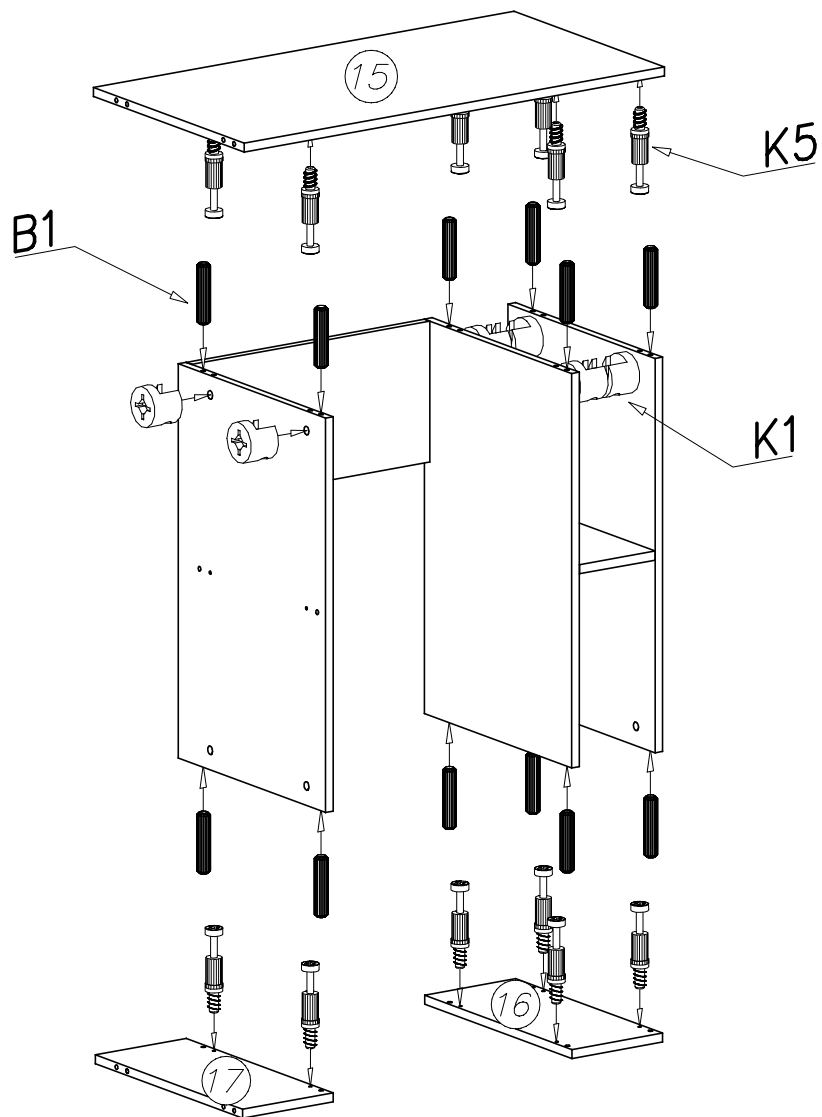
nr	L[mm]	B[mm]	T[mm]	Ilość	Paczka
23	931	900	16	1	3/7
24	931	900	16	1	3/7
25	281	70	16	2	2/7
26	418	130	16	2	2/7
27	467	300	16	1	4/7
28	467	300	16	1	4/7
29	467	900	16	1	2/7
30	931	900	16	1	3/7
31	2000	900	16	1	5/7
32	2014	930	16	1	5/7
33	1231	900	16	1	2/7
34	500	283	16	1	1/7
35	2017	300	16	1	5/7
36	2017	300	16	1	5/7
37	445	228	16	4	7/7
38	500	180	16	4	5/7
39	500	180	16	4	5/7
40	361	180	16	4	1/7
41	392	505	3	4	5/7
42	921	496	16	1	6/7
43	446	480	16	1	1/7
44	281	900	16	2	2/7
45	445	228	16	1	7/7
46	445	228	16	2	7/7



B1		K1		K5	
ø8x30	x8	ø15x12	x8	x8	

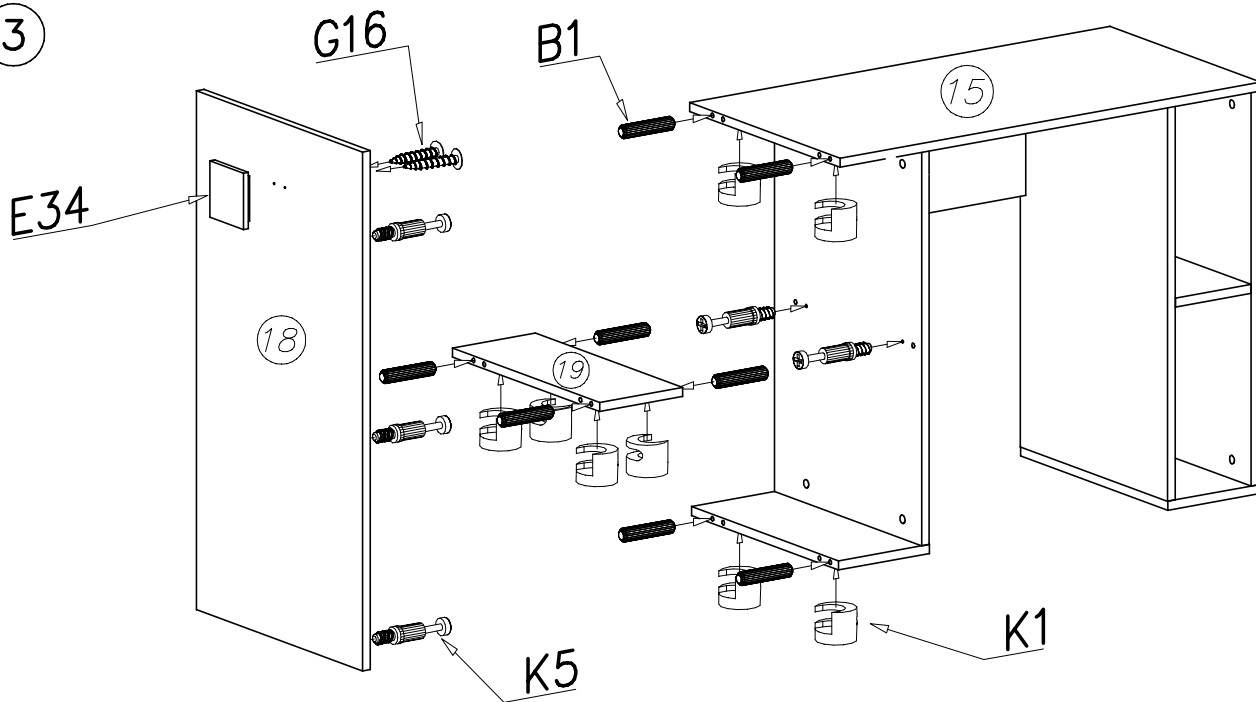


2




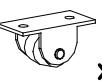
K5		x12
B1		x12
	Ø8x30	
K1		x12
	Ø15x12	

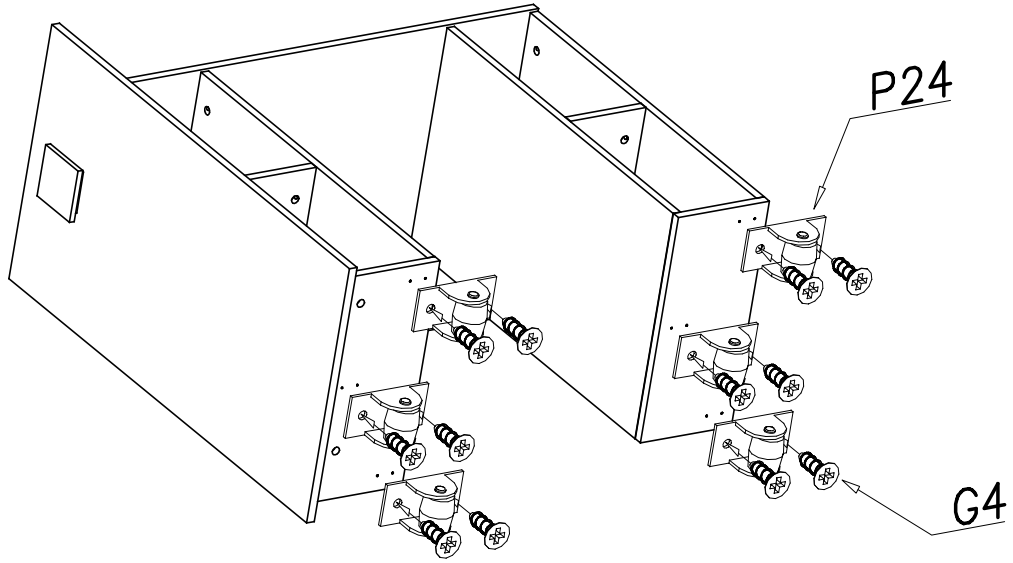
3



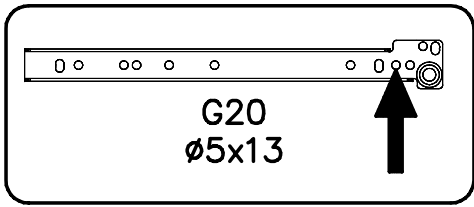
G16		x2	E34		x1	B1		x8	K1		x8	K5		x8
	4x27						Ø8x30			Ø15x12				



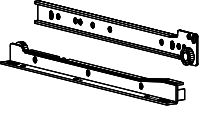

4

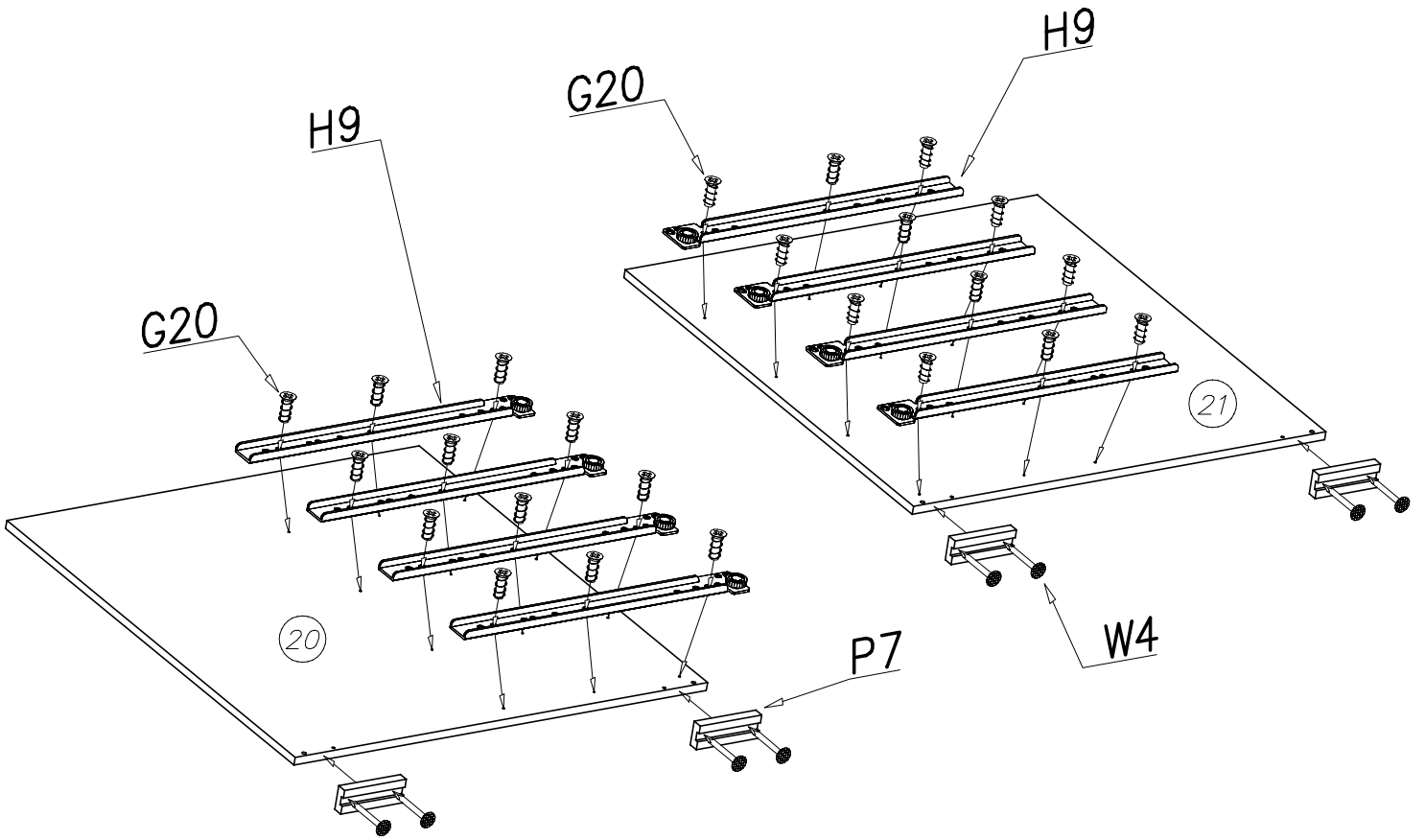
G4		P24	
4x16	x12		x6


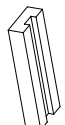


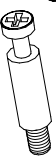


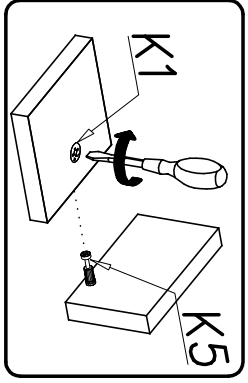
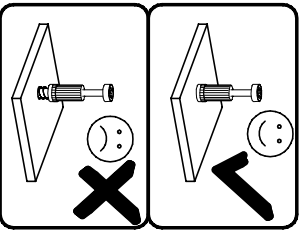
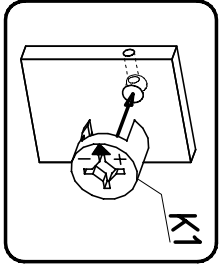
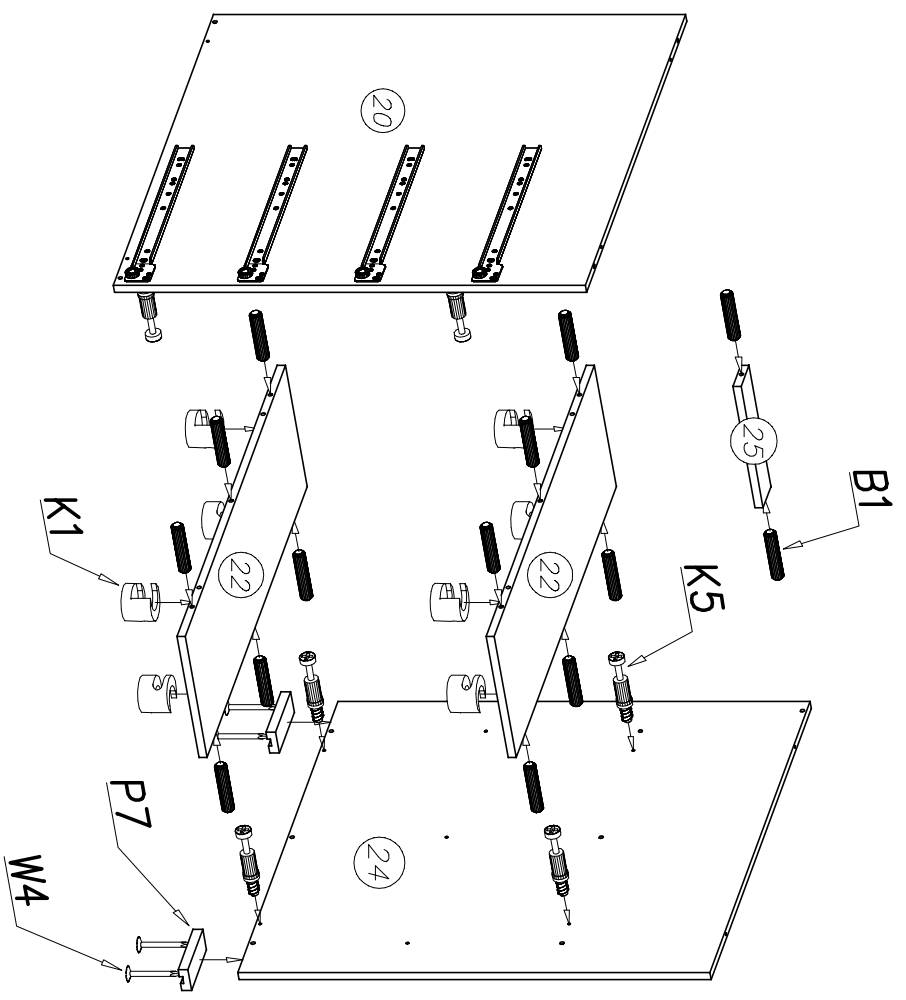
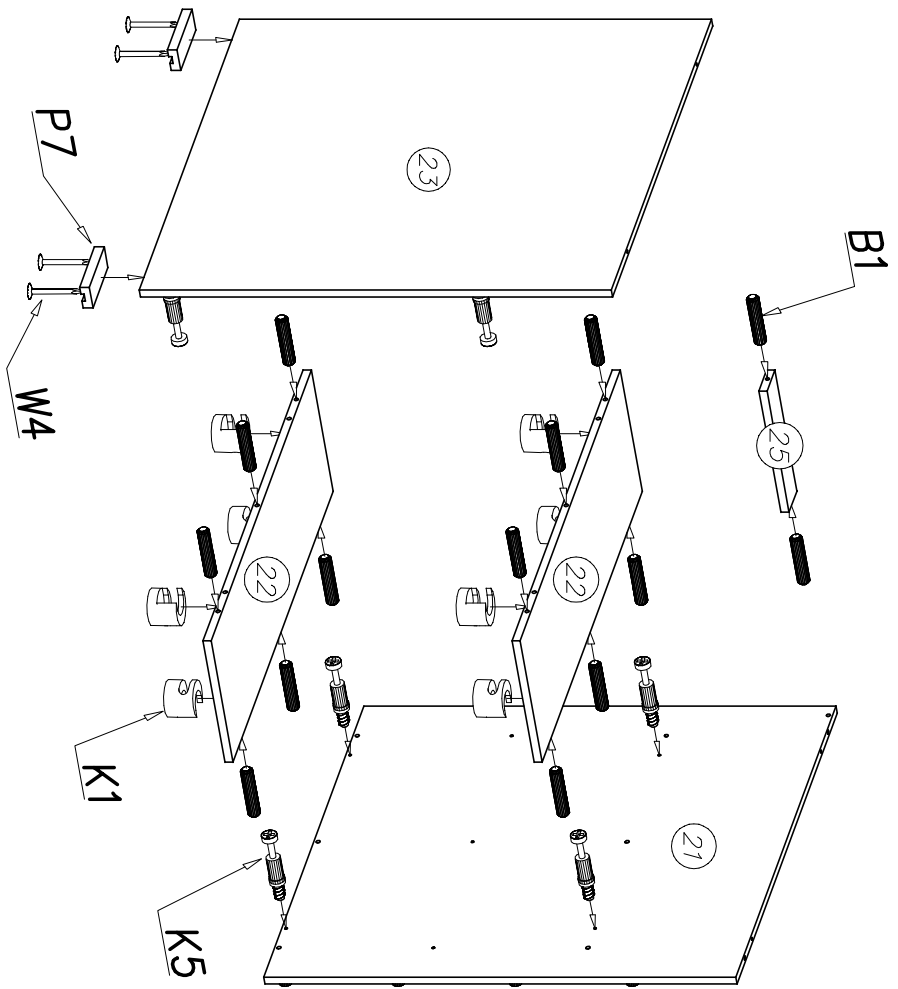
5







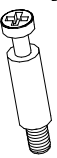


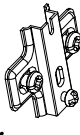
W4		G20		H9	
	x8	5x13	x24		
		P7			500mm
			x4		x4

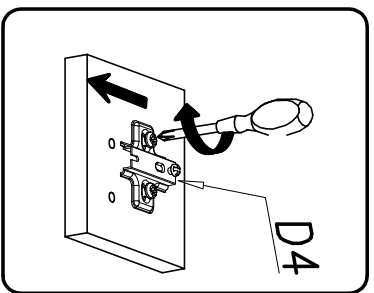
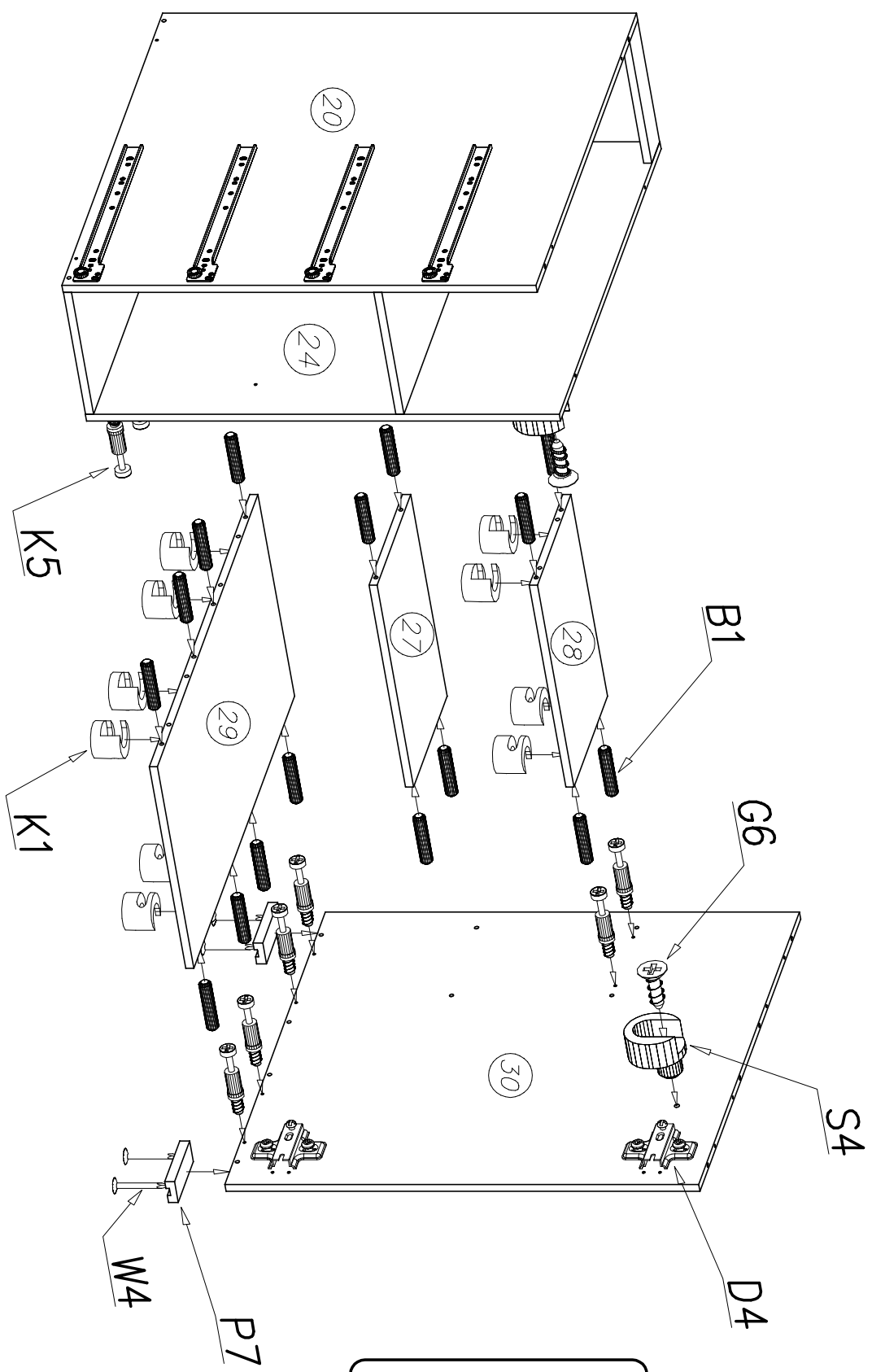


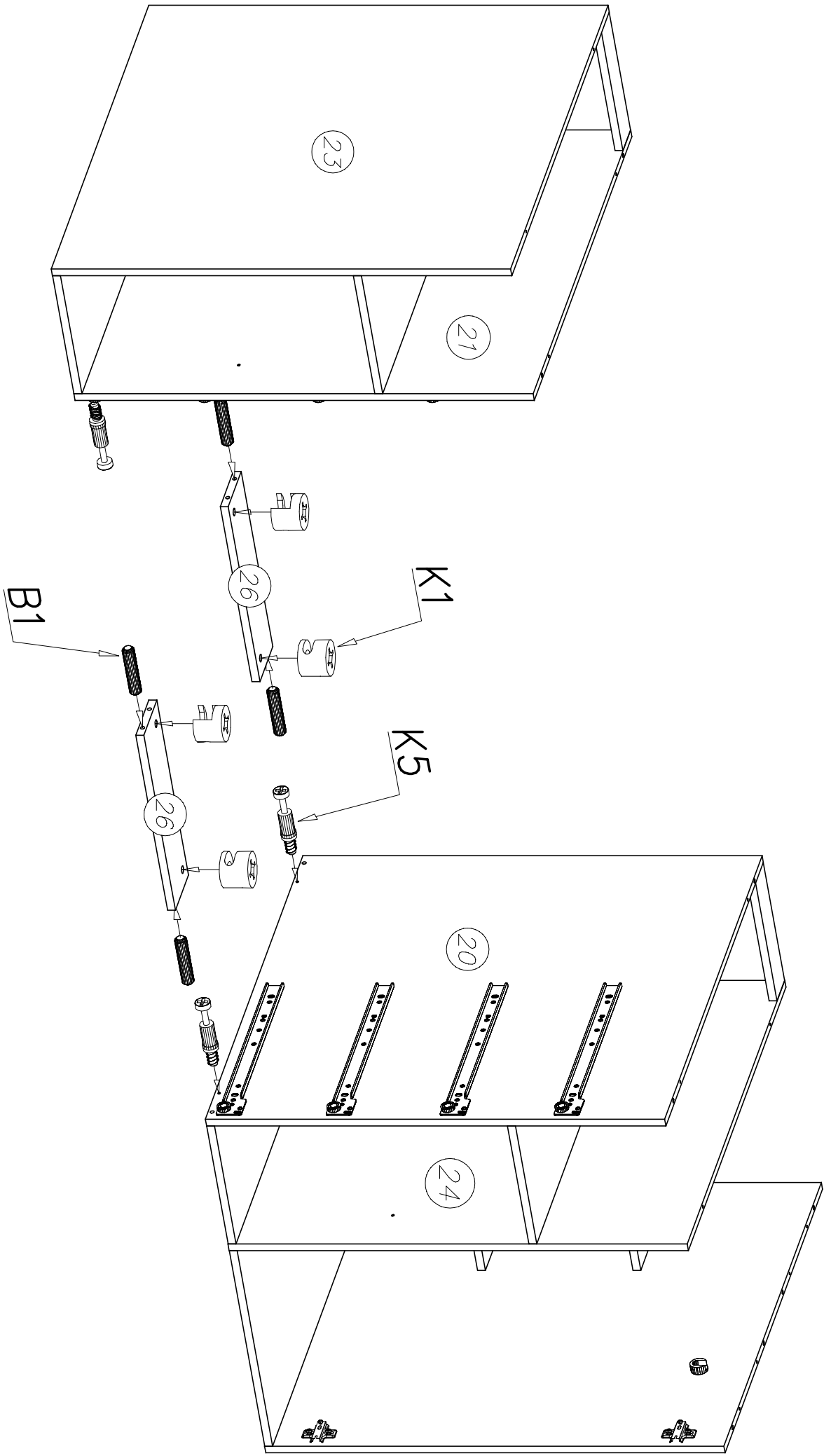
W4	P7	B1	K1	K5
				
x8	x4	ø8x30	ø15x12	x16
		x28	x16	x16



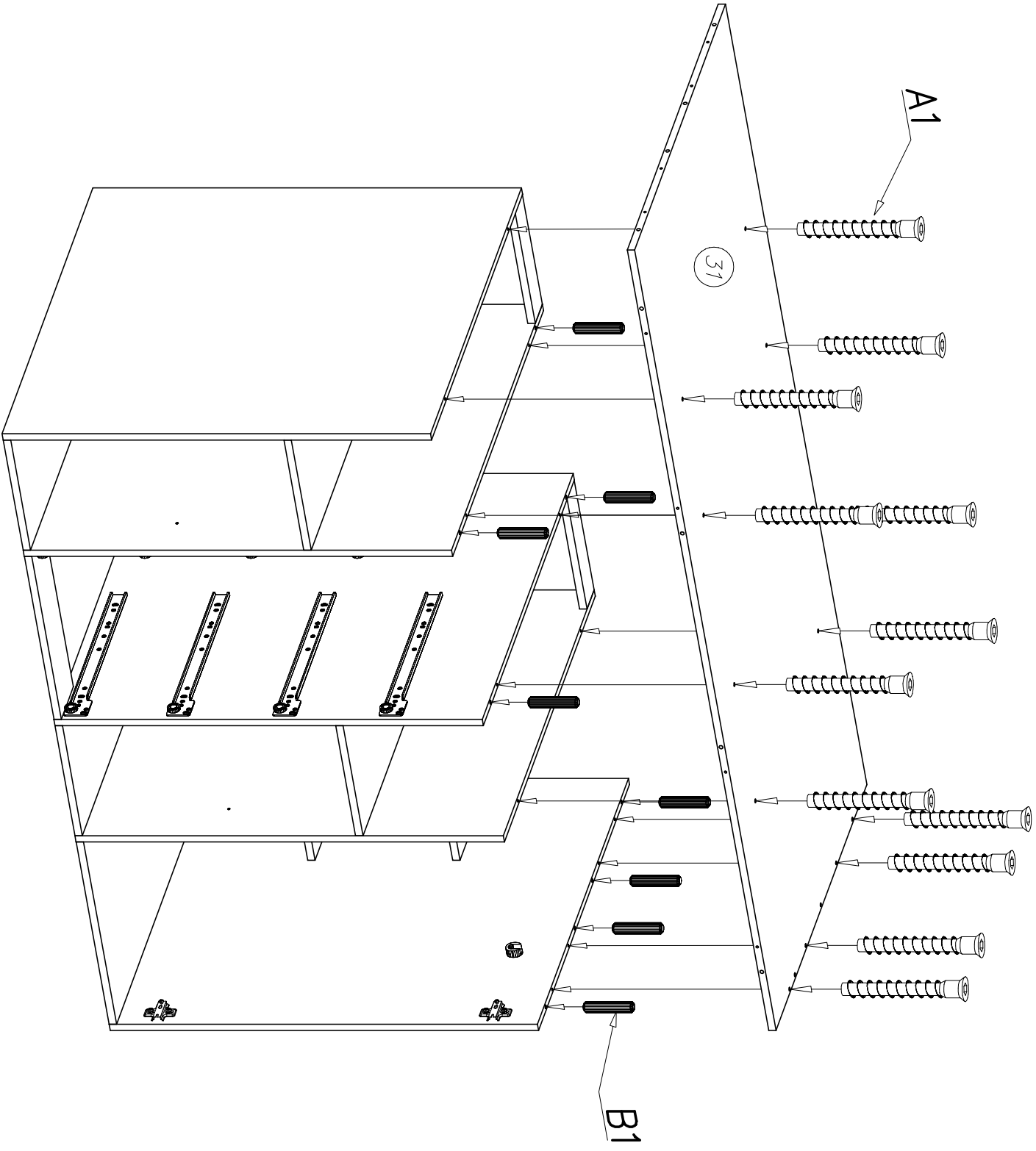
G6		S4		W4		P7		B1		K1		K5	
3x12		x2	x2	x4	x4	x2	ø8x30	x16	ø15x12	x12	x12	x12	




D4		x2
----	---	----



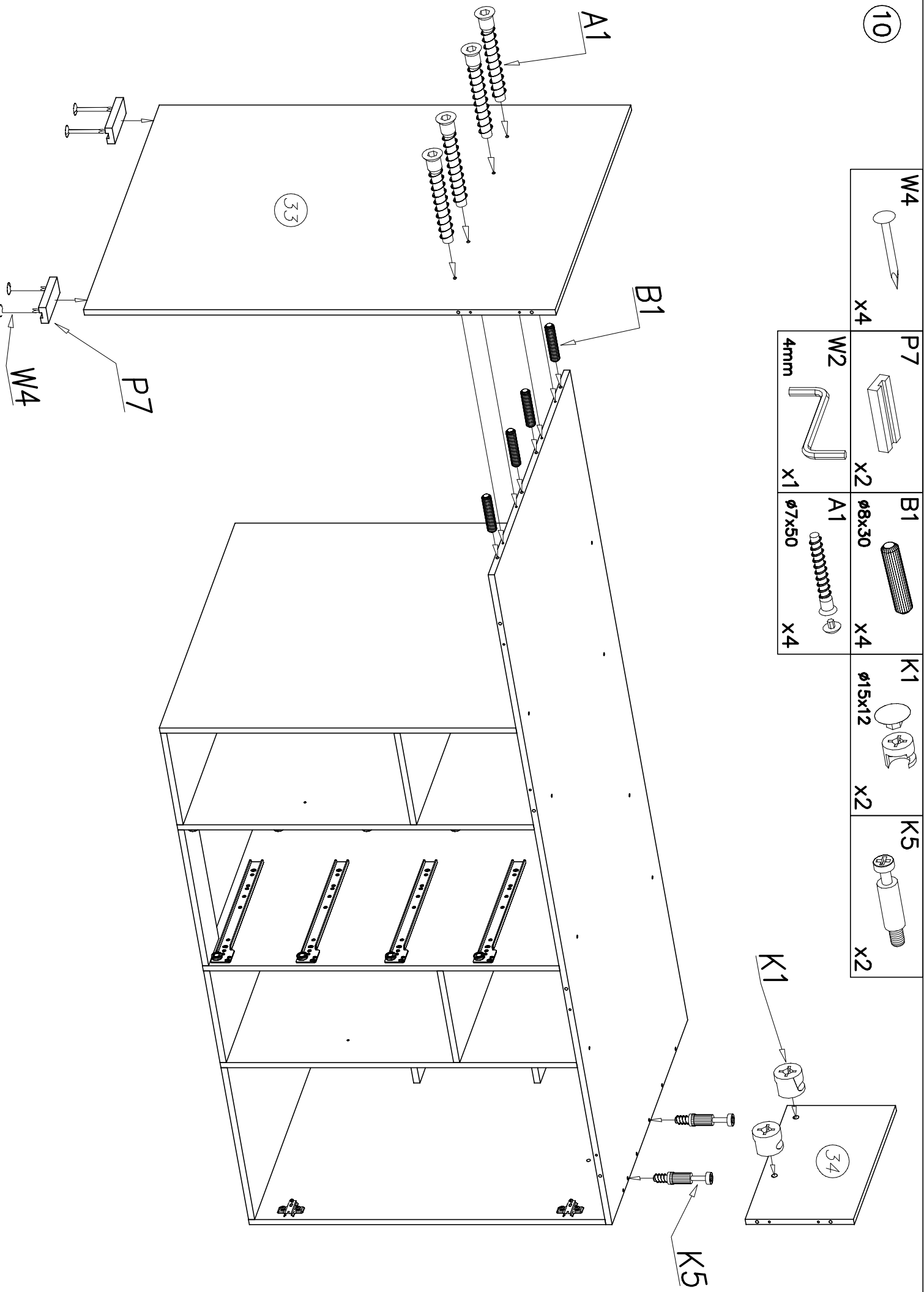


B1 #8x30 X4		K1 #15x12 X4		K5 X4	
--------------------------	---	---------------------------	---	-----------------	---



W2		x1
4mm		
A1		x12
B1		x8
ø8x30		

10



33

A1

B1

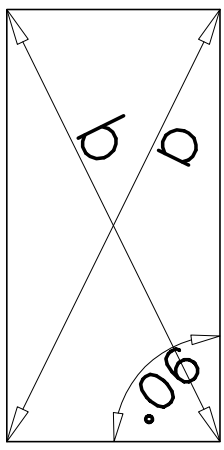
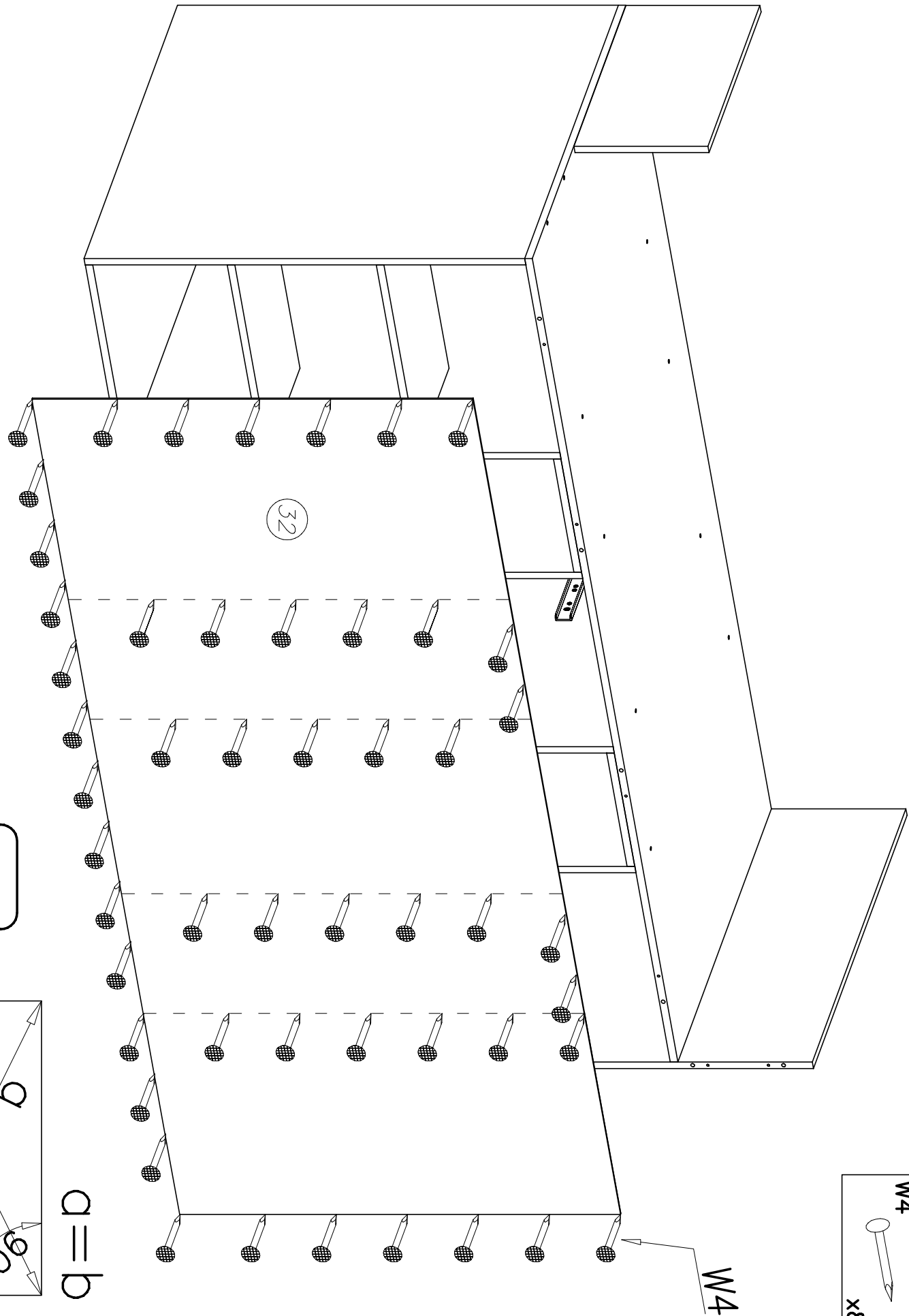
P7

W4

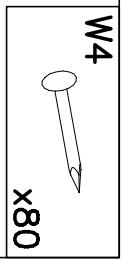
34

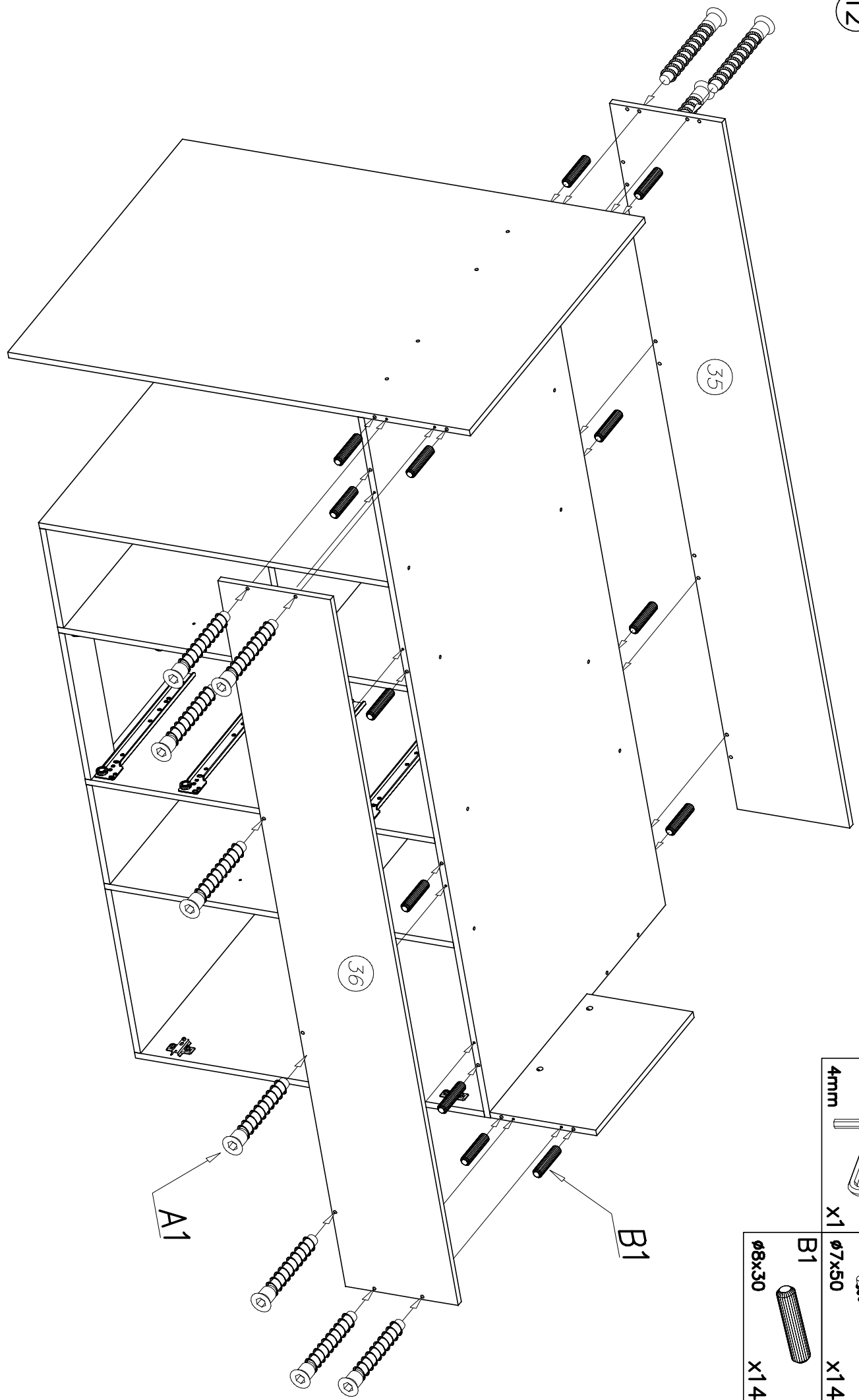
K1

K5

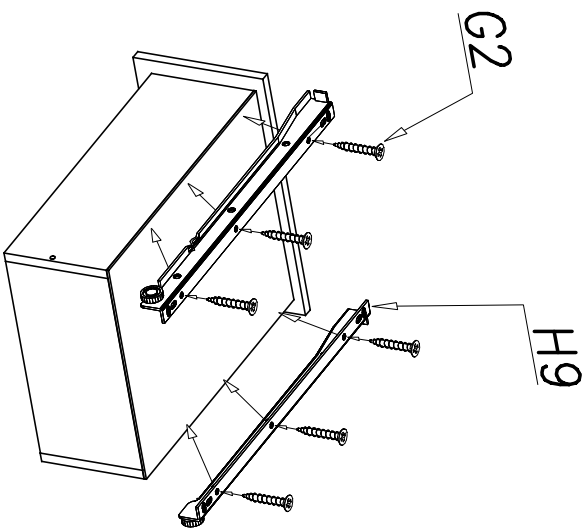
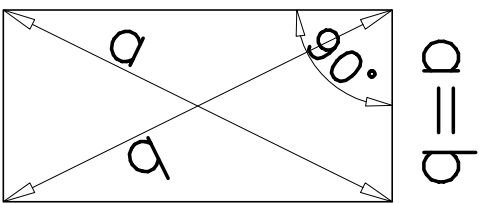
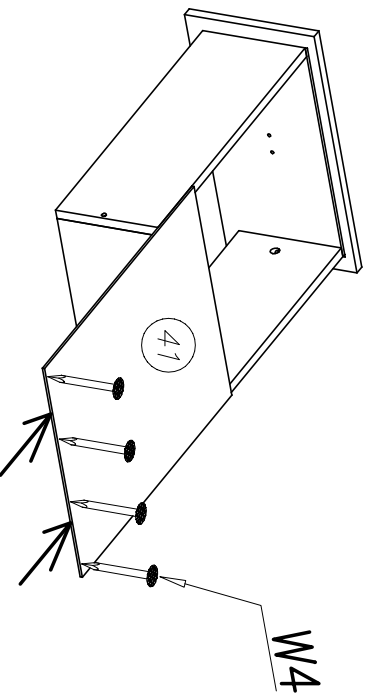
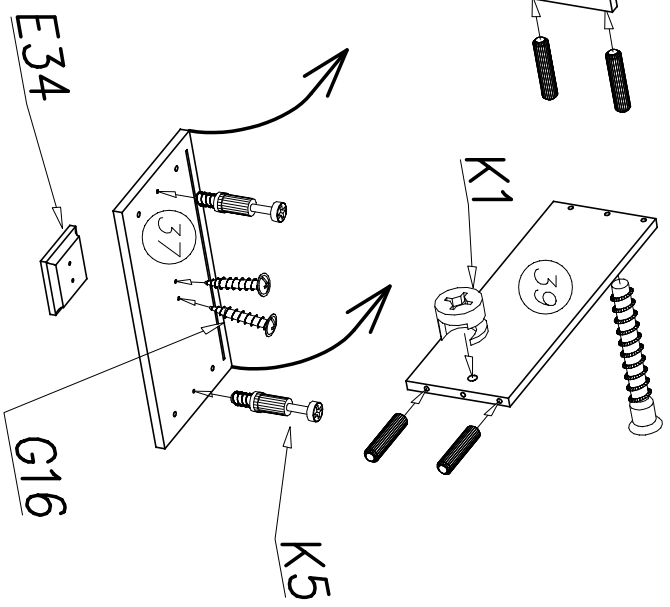
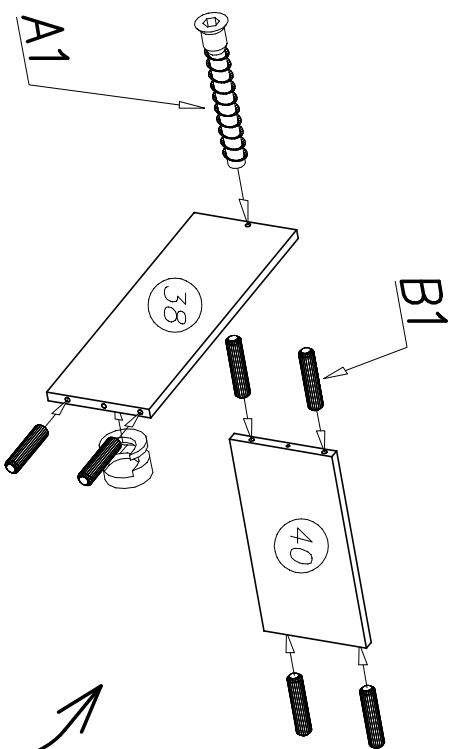


a = b





W2		A1	
4mm		Ø7x50	x14
x1		B1	
		Ø8x30	x14



W2		x1
4mm		

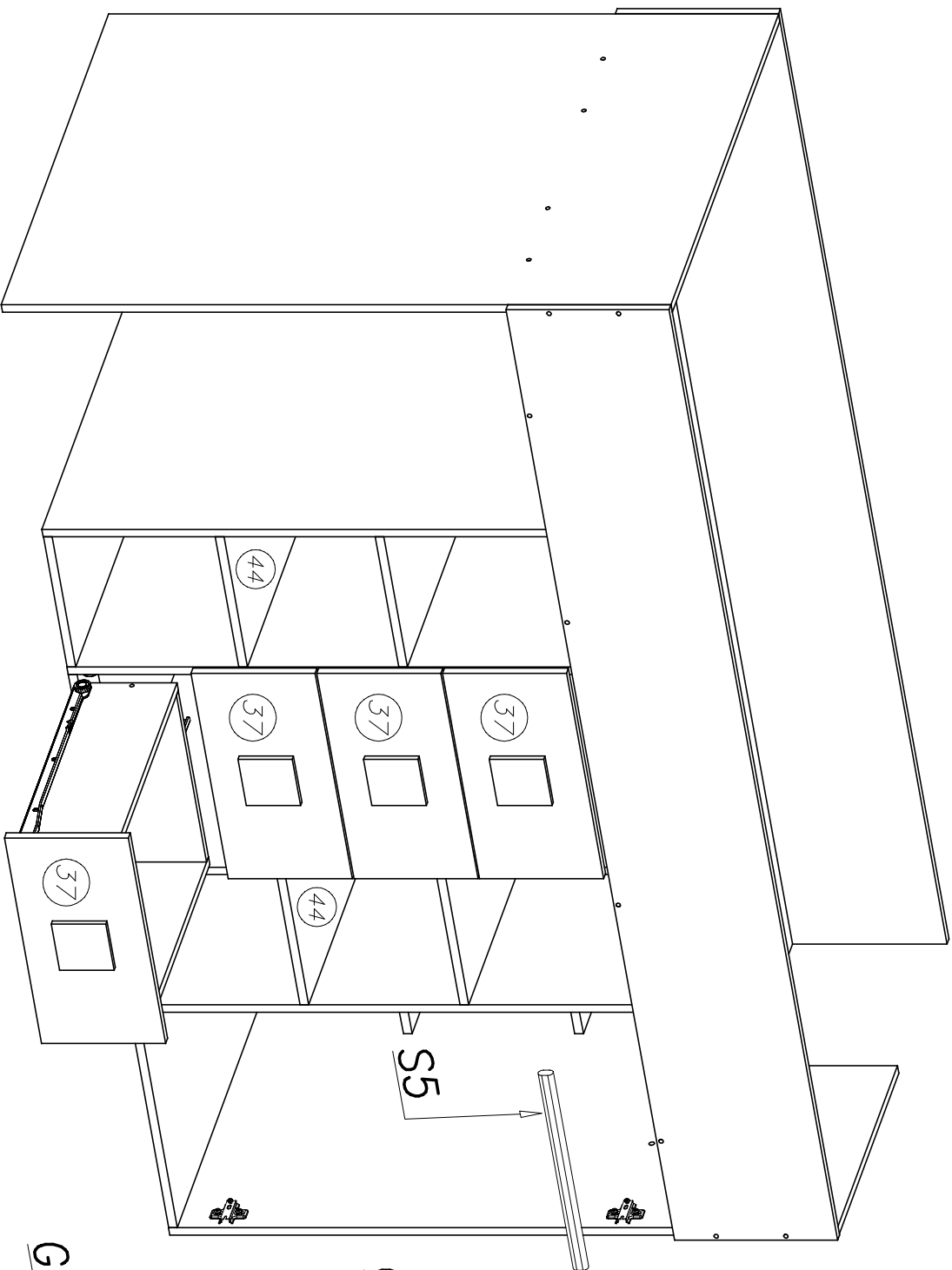
W4		x20
G2		x24
3x20		x24

H9		x4
K1		x8
500mm		x4

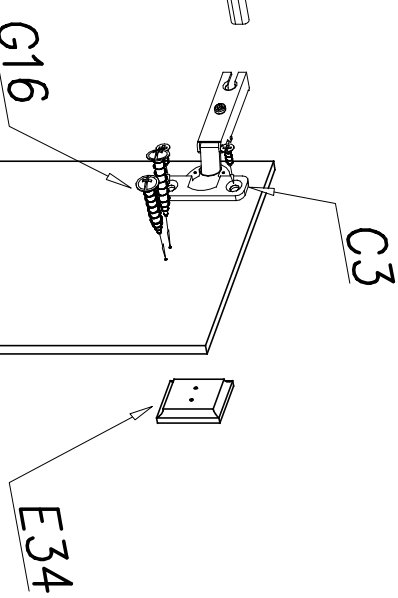
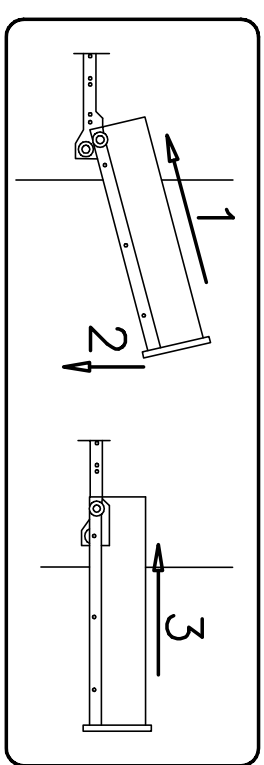
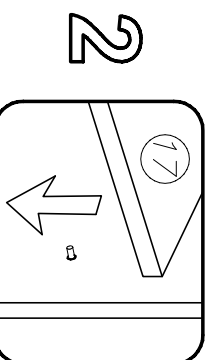
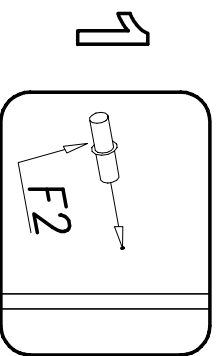
E34		x4
G16		x8
4x27		x8

K5		x8
A1		x8
ø7x50		x8

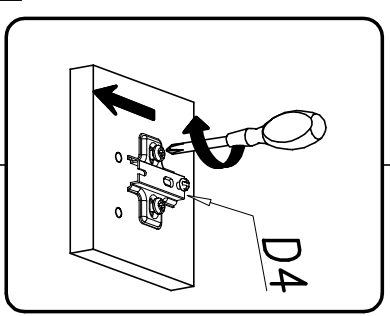
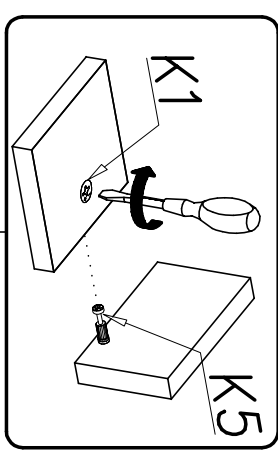
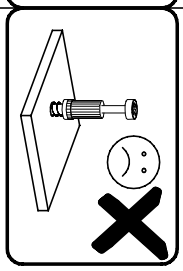
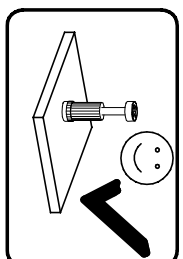
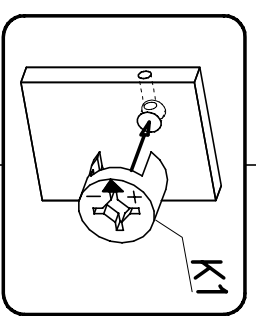
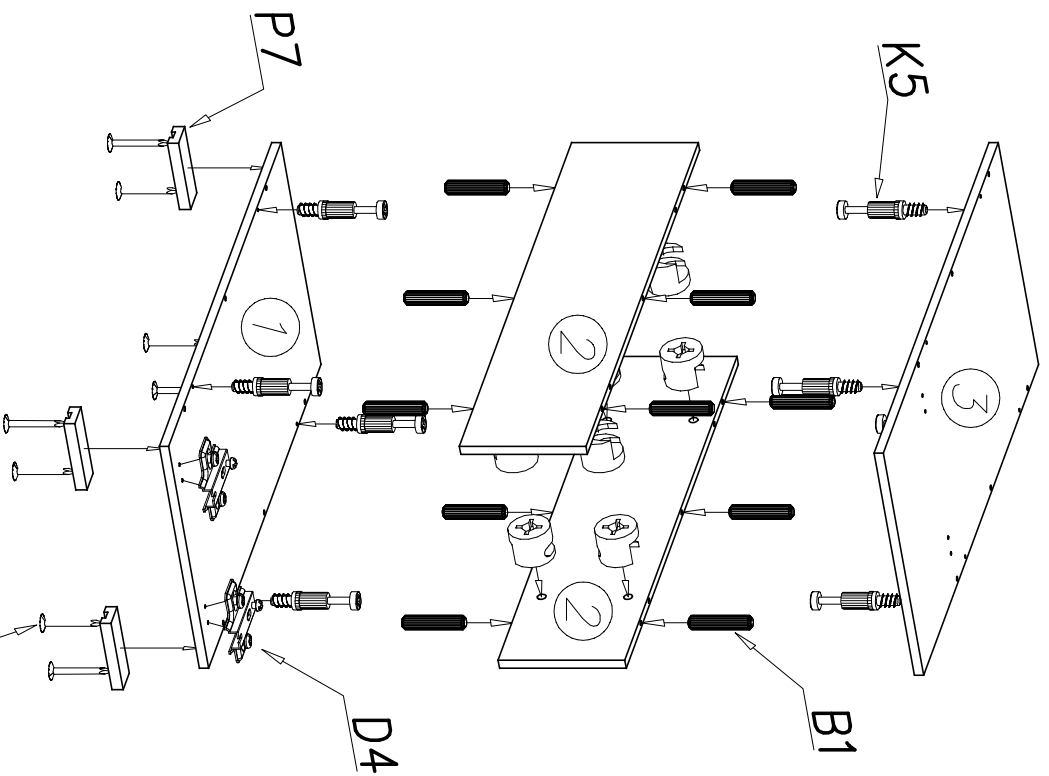
B1		x32
ø8x30		x32



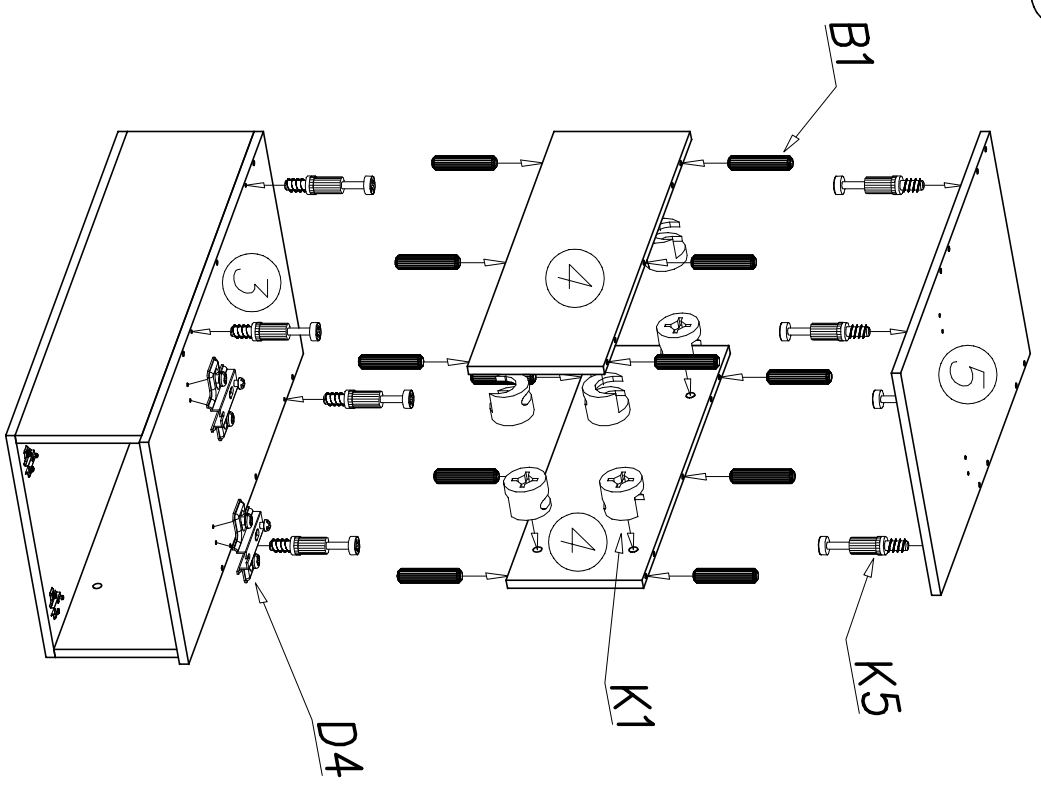
G4		x4	F2		x12
4x16		x1	C3		x2
S5		x2	E34		x1
G16		x2			
4x27					



15



16



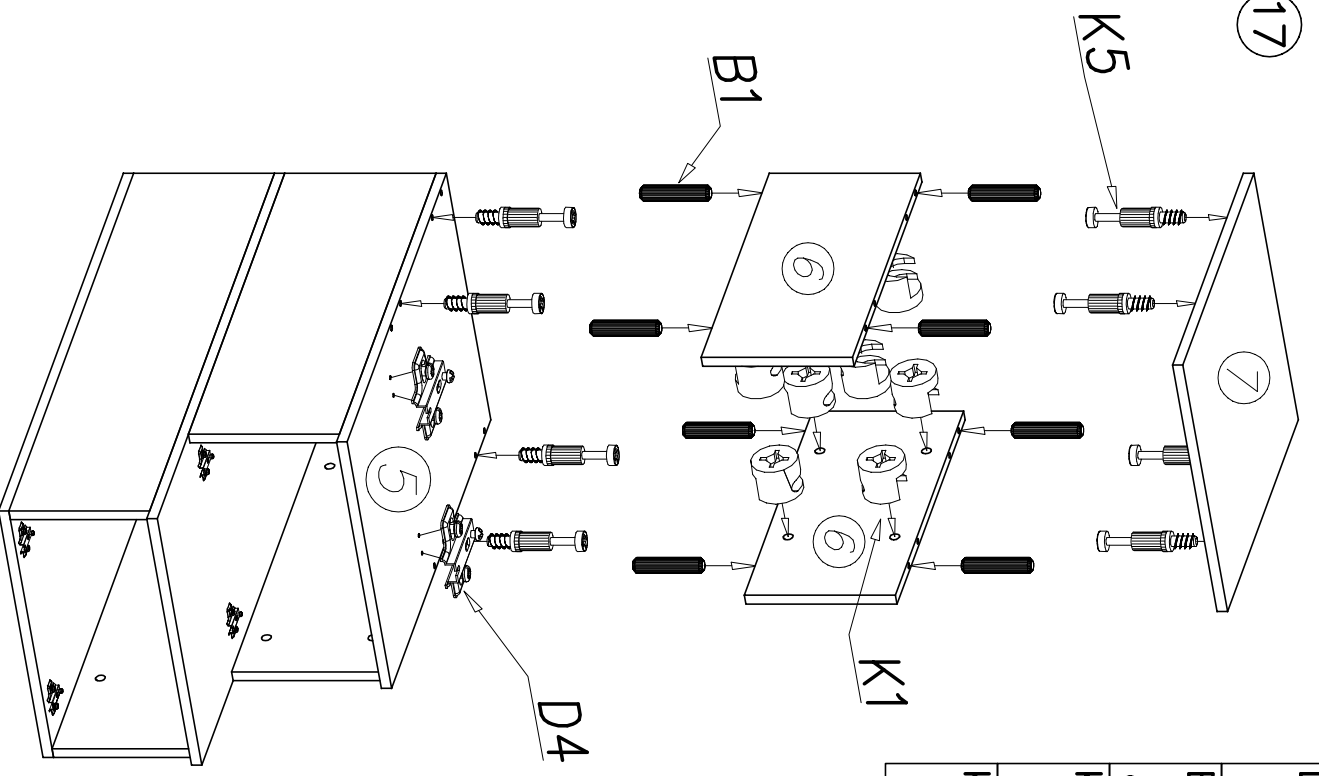
B1	Ø8x30	x12	P7	x4
D4		x2	W4	x8

K1	Ø15x12	x8	K5	x8
----	--------	----	----	----

D4		x2	B1	Ø8x30	x12
----	--	----	----	-------	-----

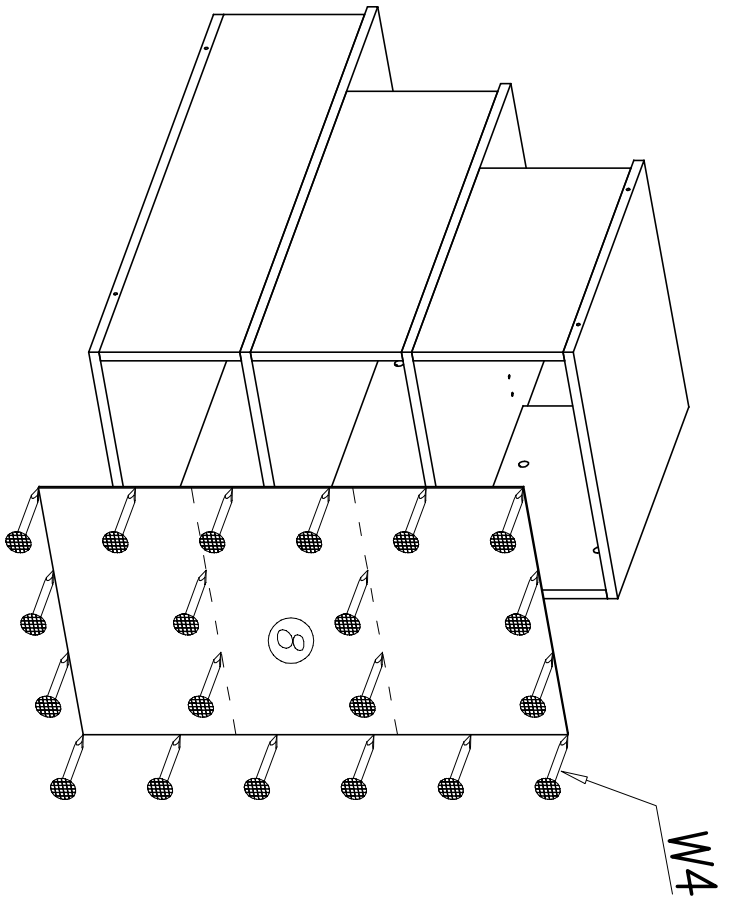
K1	Ø15x12	x8	K5	x8
----	--------	----	----	----

17

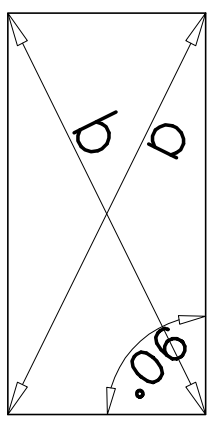


D4		x2
B1		x8
K1		x8
K5		x8

18

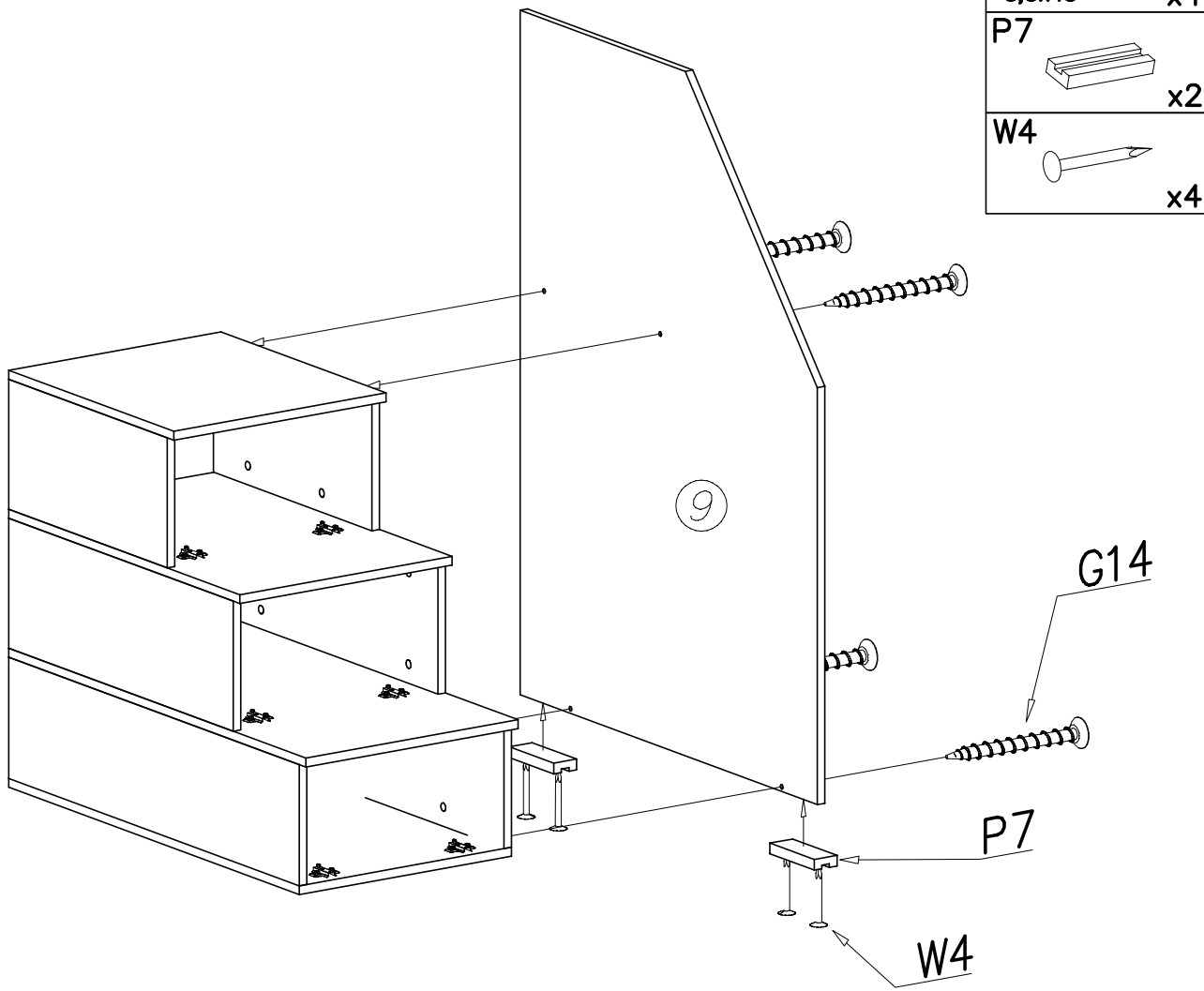


W4		x20
----	--	-----

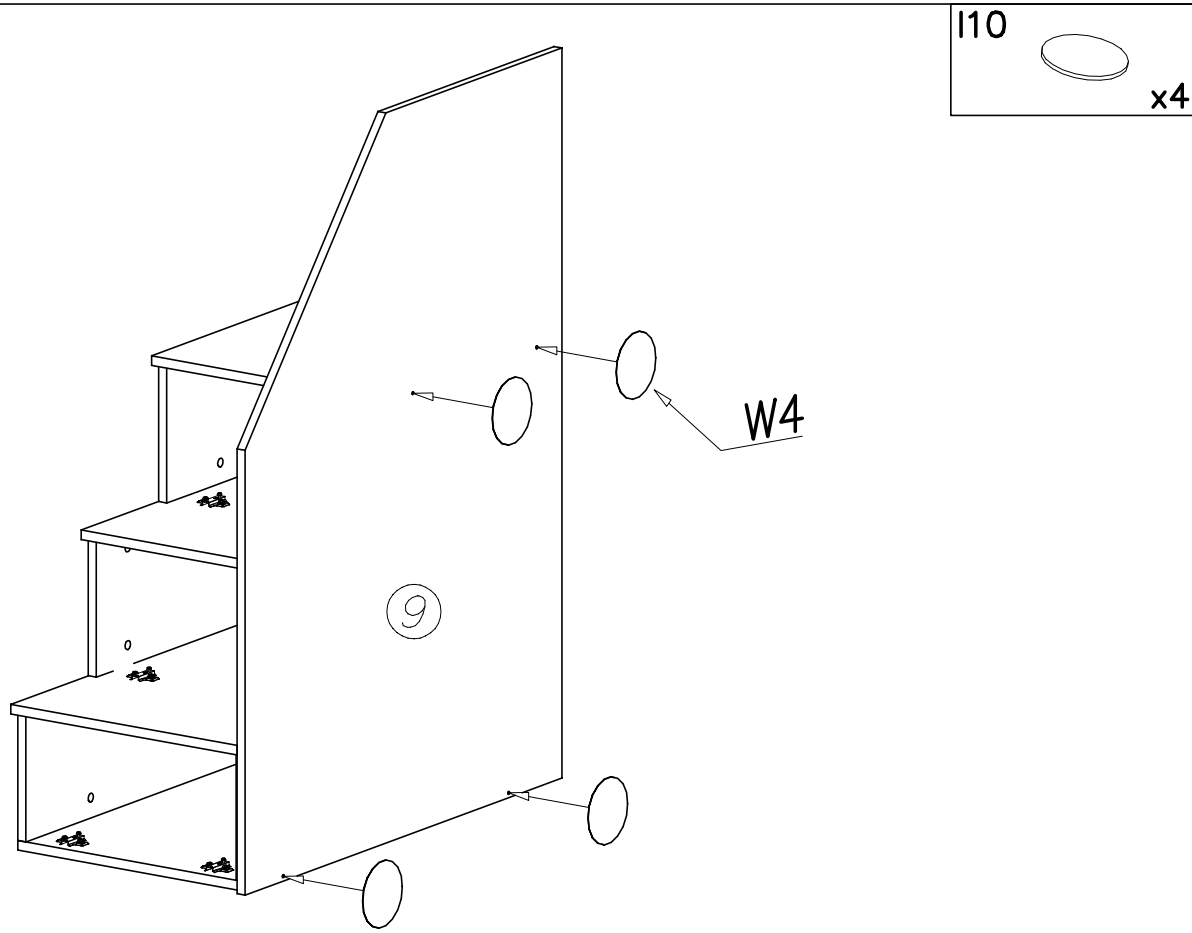


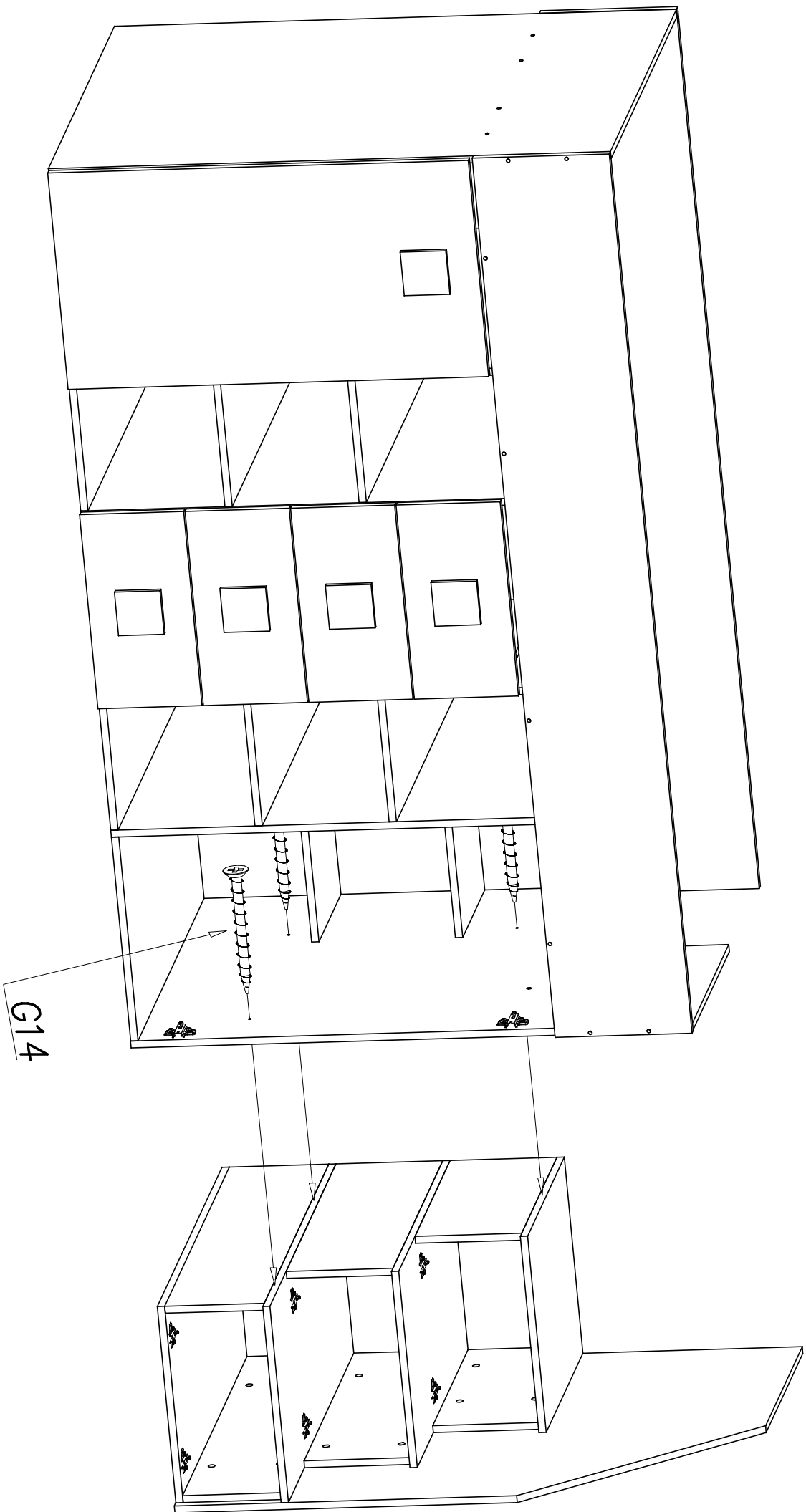
a = b

19

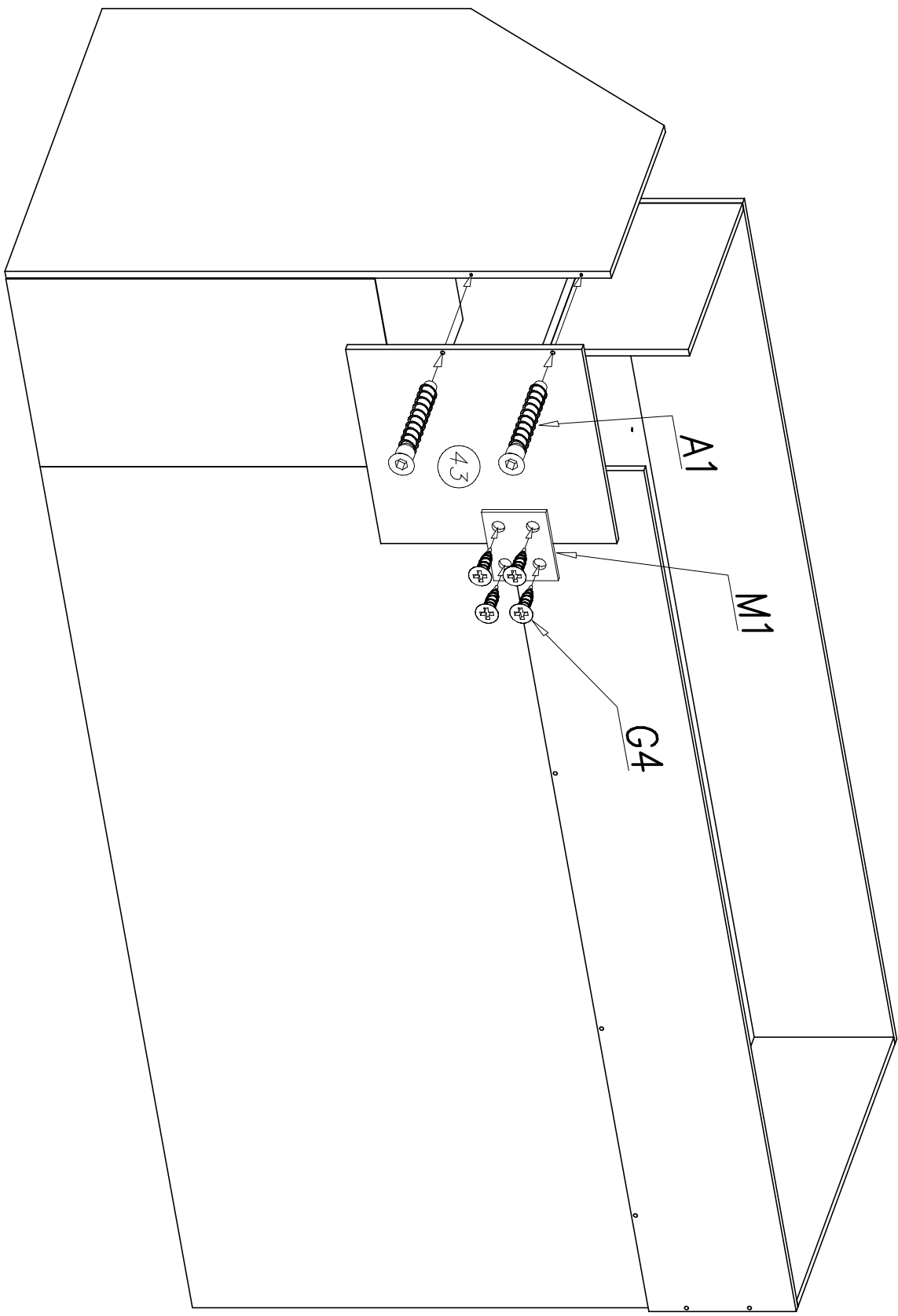


20

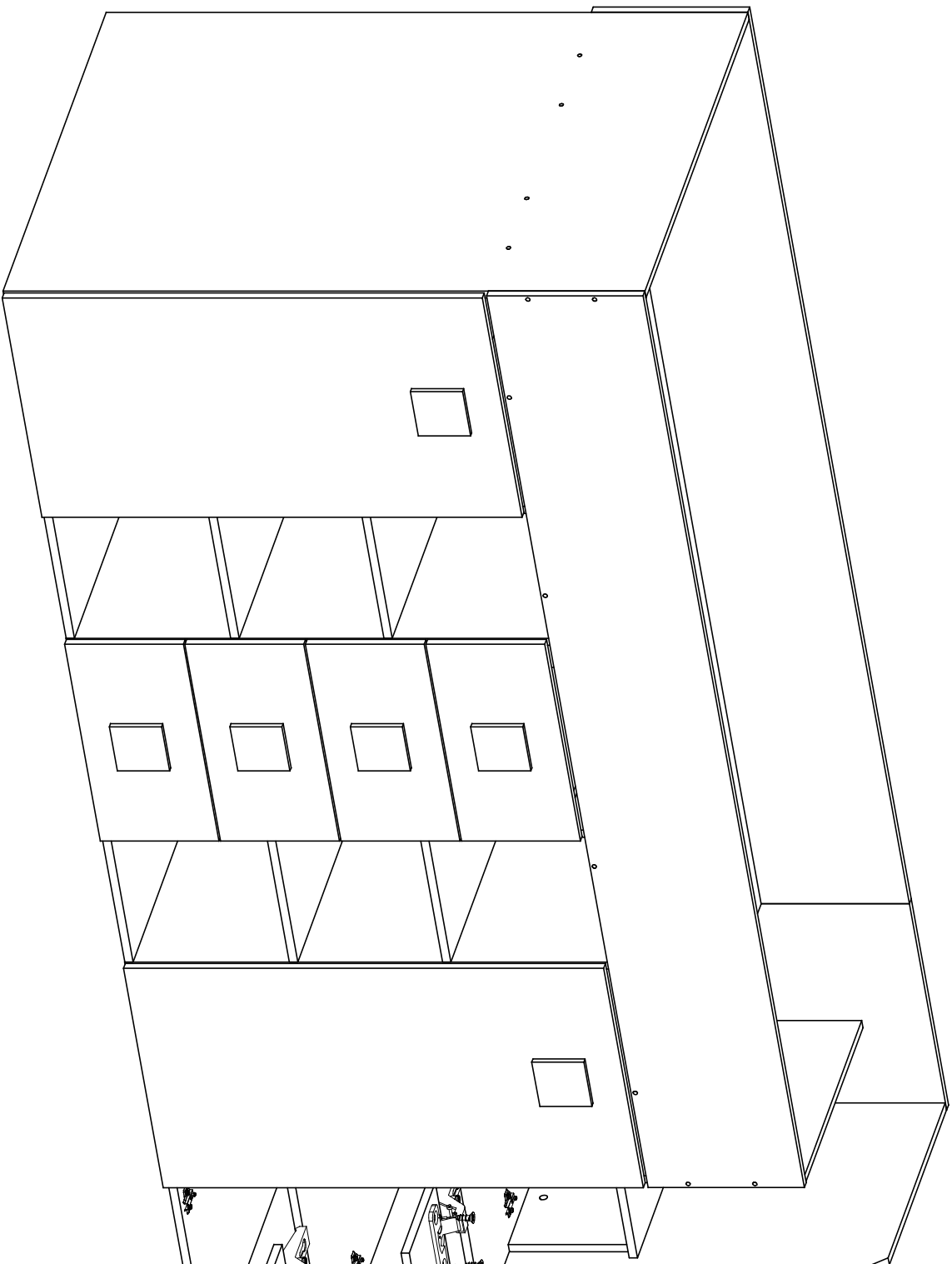






G14
3,5x45
X3

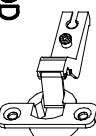


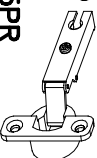
W2 4mm		A1 ø7x50		M1		G4 4x16	
X1	X1	X2	X2	X1	X1	X4	X4




G16  4x27 x6

E34  x3

C4  x4
Z350D

C3  x2
Z35PR

G4  4x16 x12

