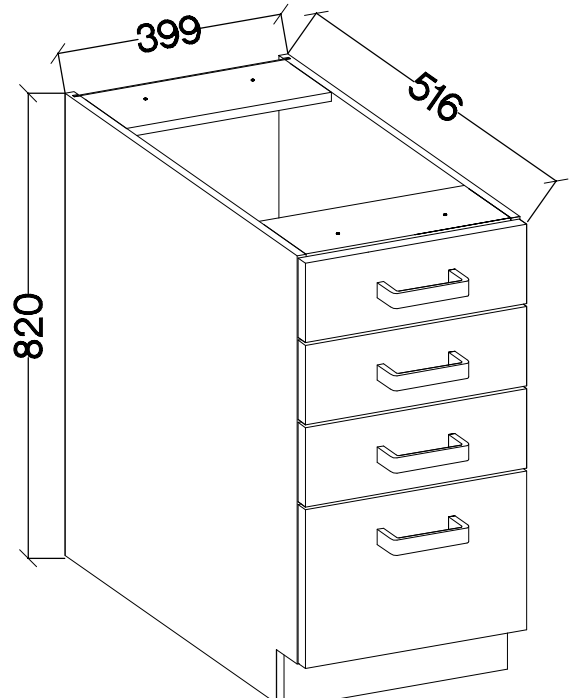
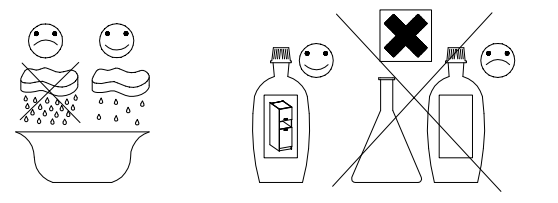


40 D 4S BB

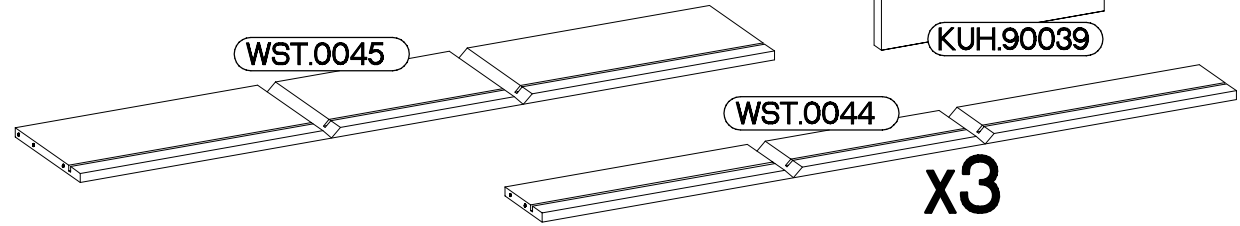
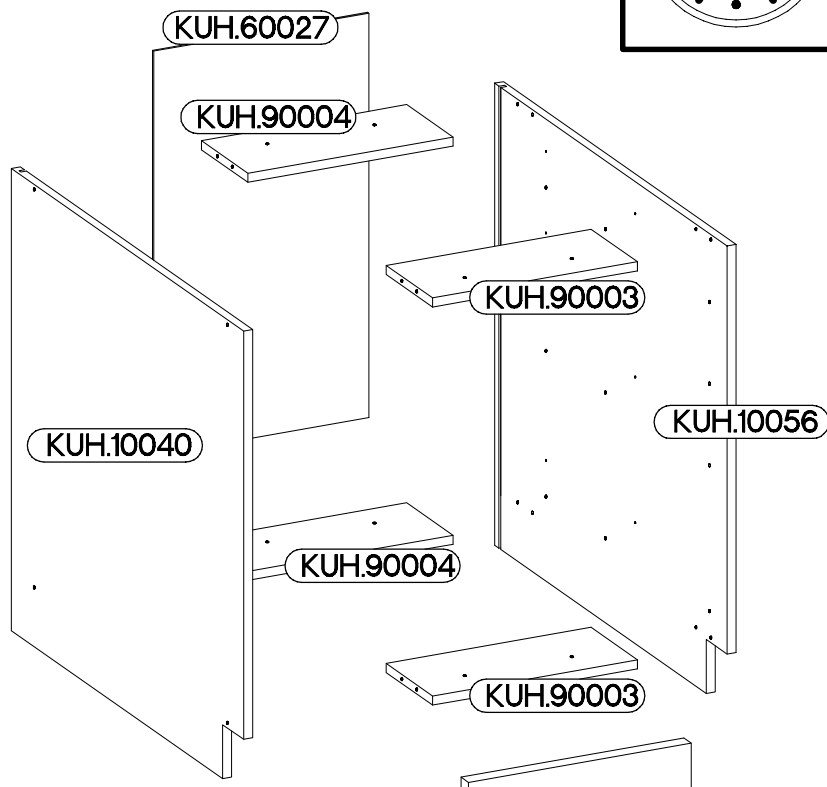
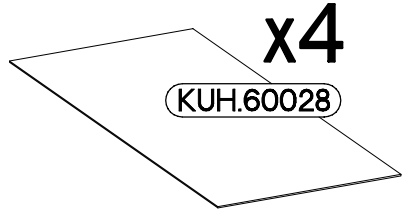


max. 5kg

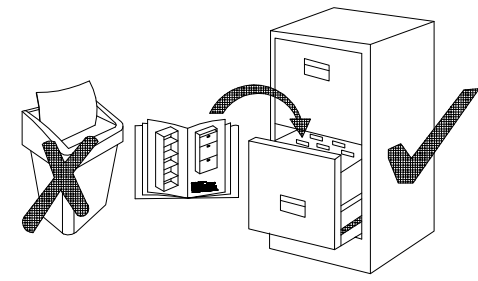
KUH.60028



- KUH.70149
- KUH.70149
- KUH.70149
- KUH.70150

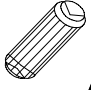



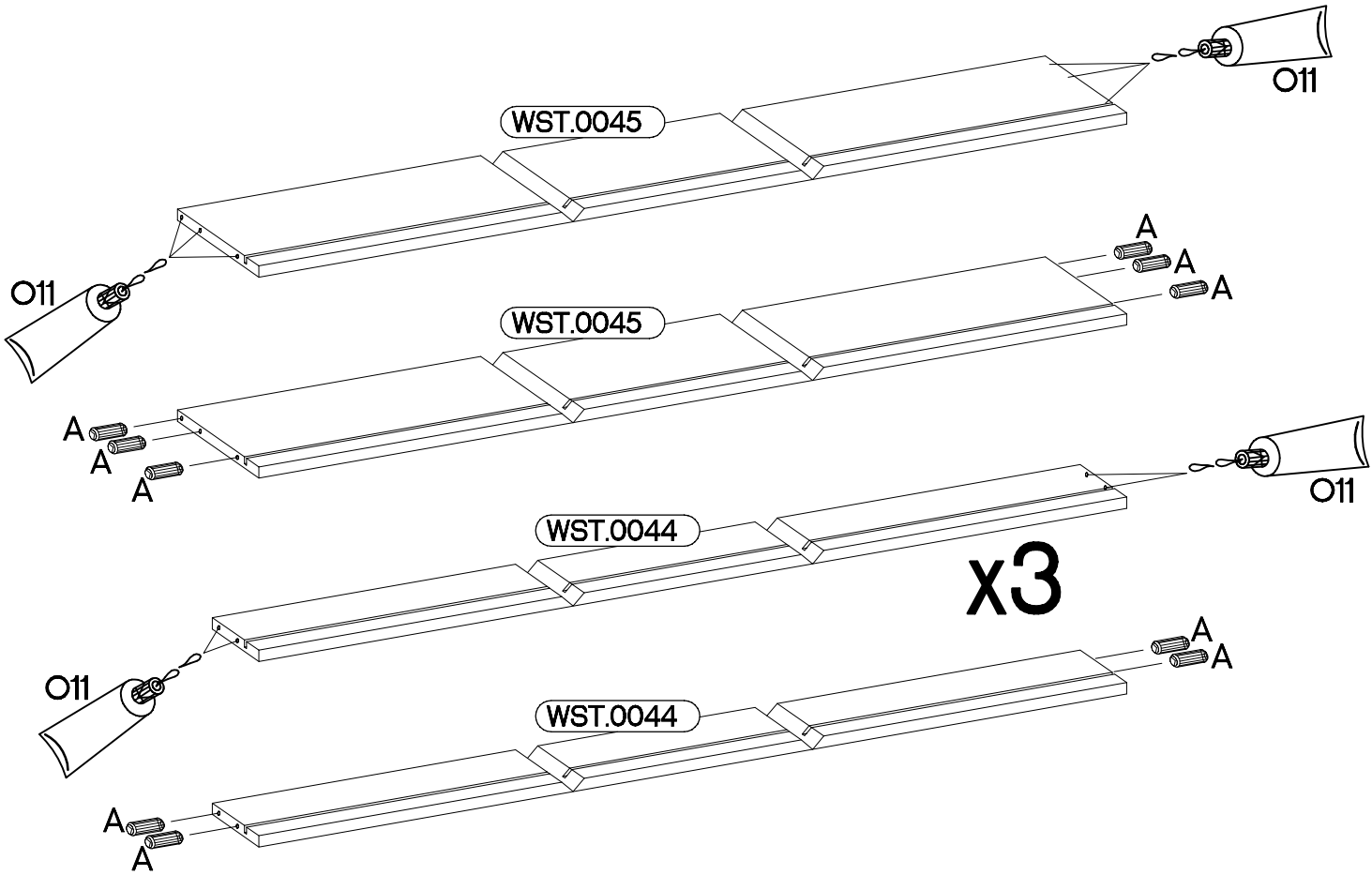
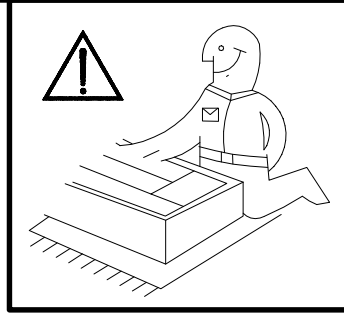
<p>†8x30mm A 26</p>	<p>6,4 x 50mm B 8</p>	<p>E1 8</p>	<p>E9 2</p>	<p>6.5x48x16 F2 4</p>	<p>L=450mm I5 4</p>
<p>†5.0x13mm M 24</p>	<p>O 1</p>	<p>O11 1</p>	<p>†4.0x45mm P4 2</p>	<p>†3.5x13mm P5 32</p>	<p>†3.5x20mm P6 12</p>
<p>†3.0x20mm P7 8-10</p>	<p>†4.0x35mm R3 4</p>	<p>S23 4</p>	<p>M4x22mm U 8</p>	<p>Z3 4</p>	<p>Z4 4</p>




ISM-KUH-00918

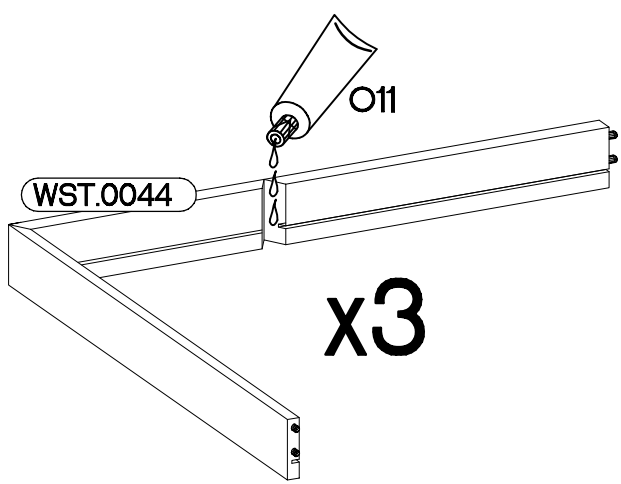
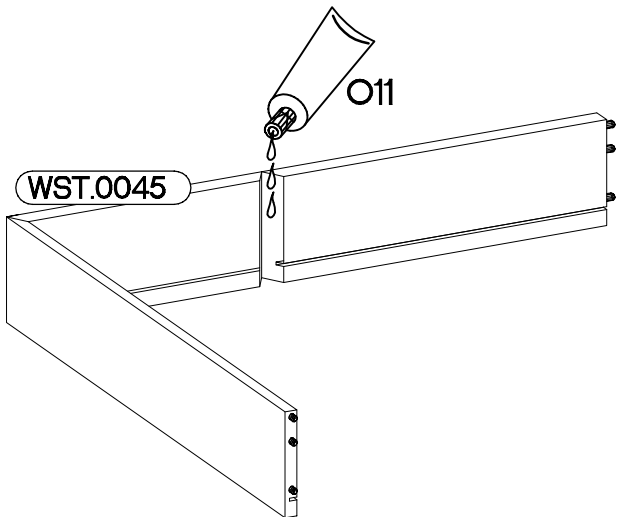
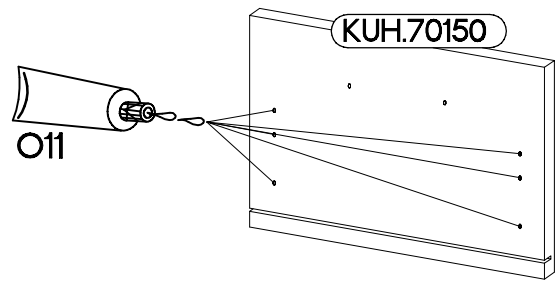
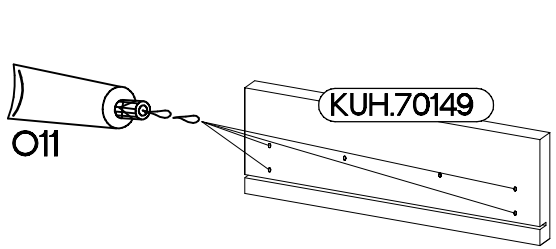
1

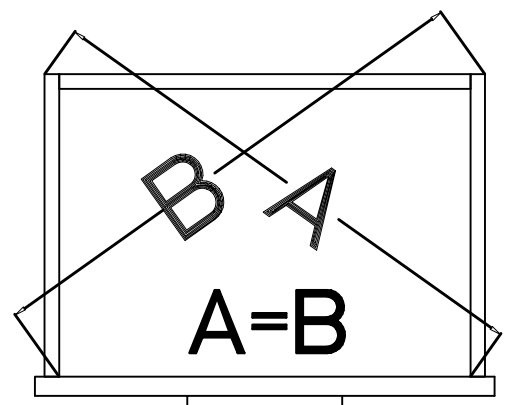
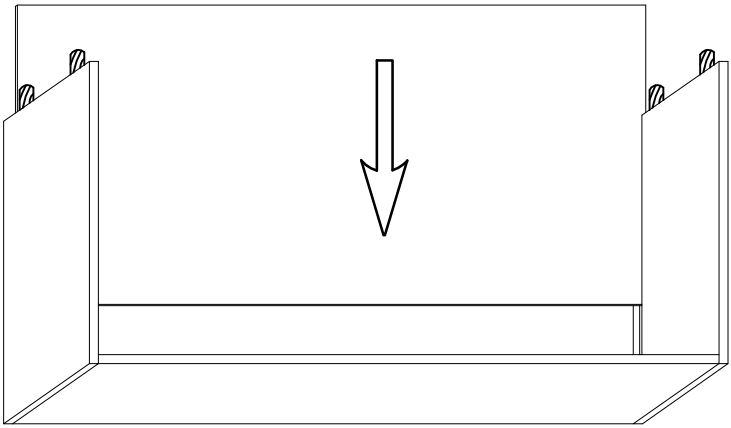
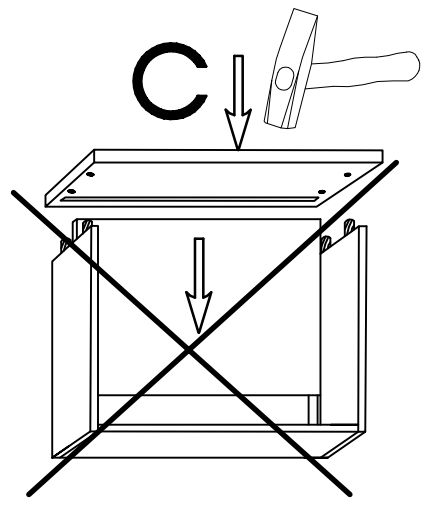
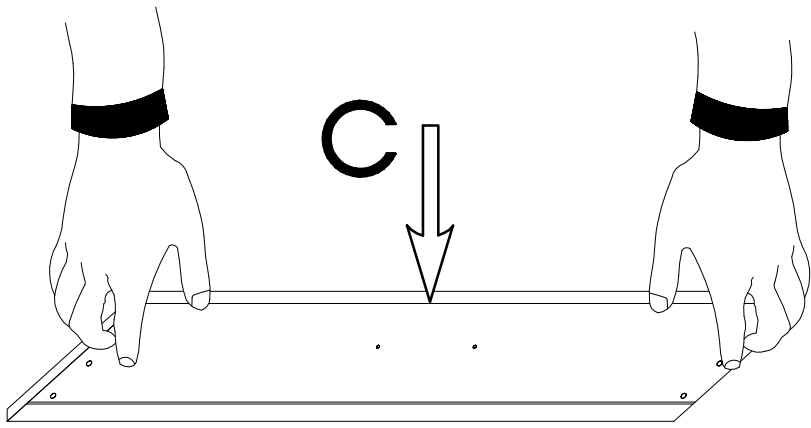
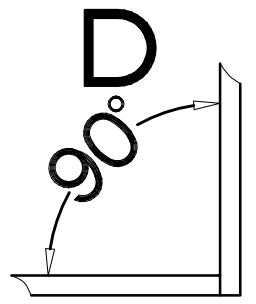
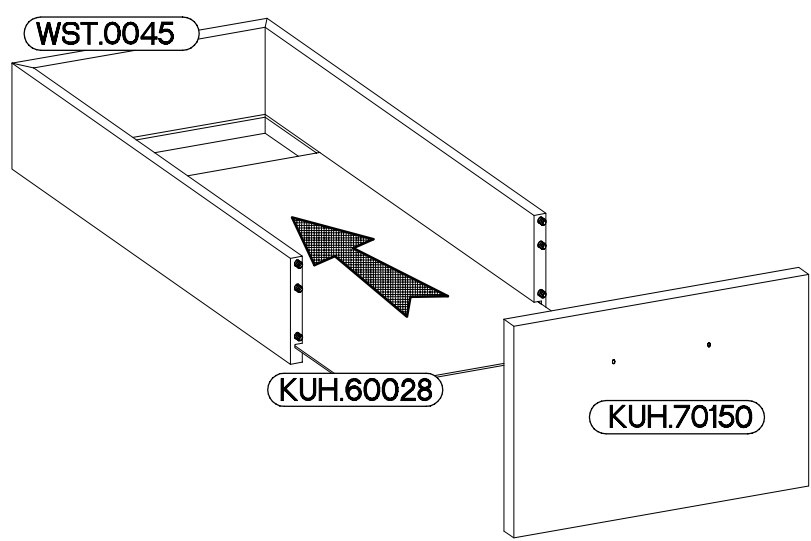
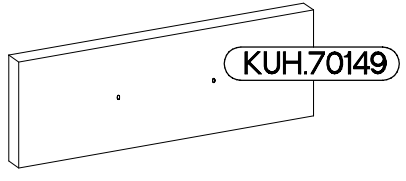
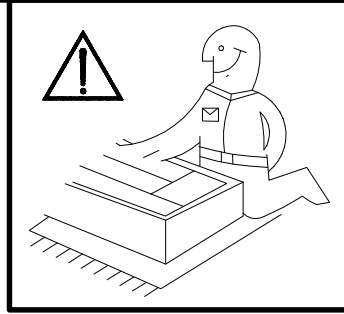
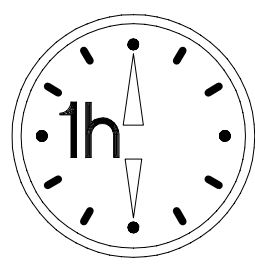
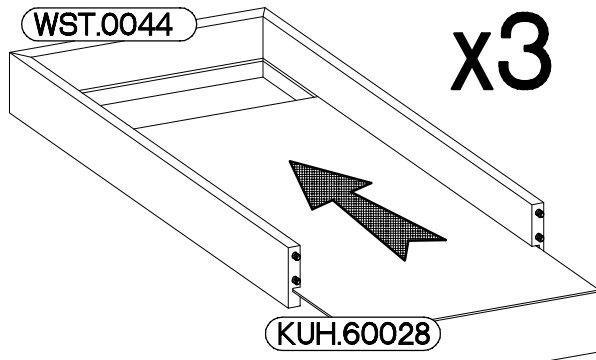
†8x30mm  A 18	0,05  O11 1
--	--



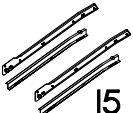

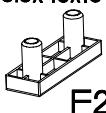
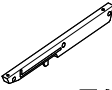

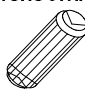
2

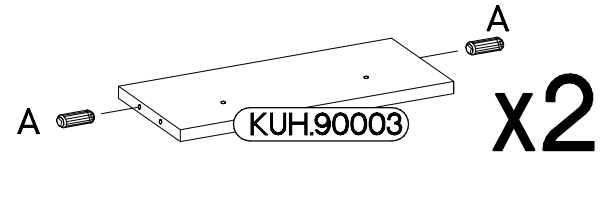
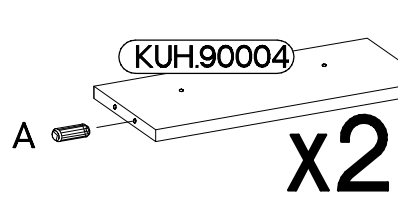
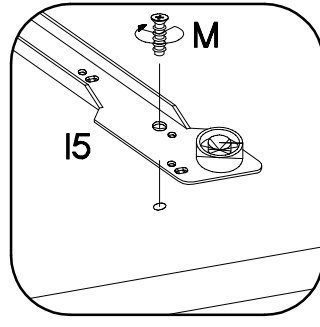
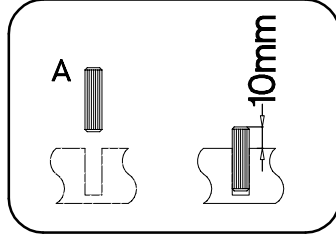
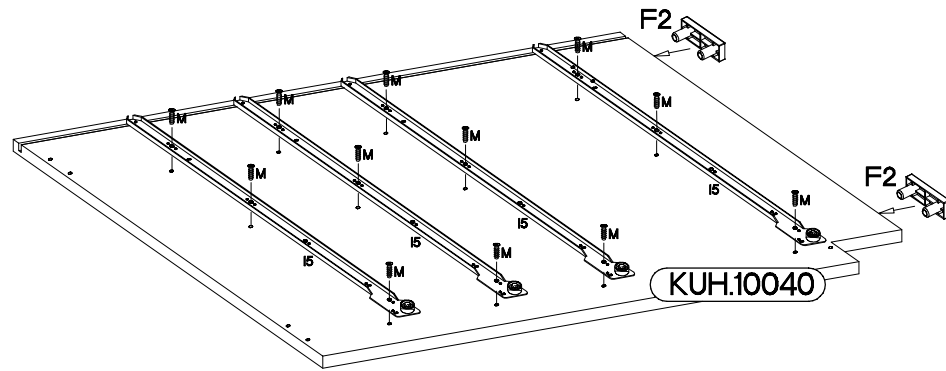
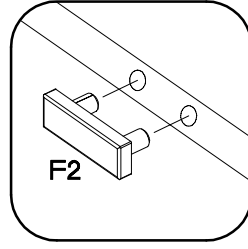
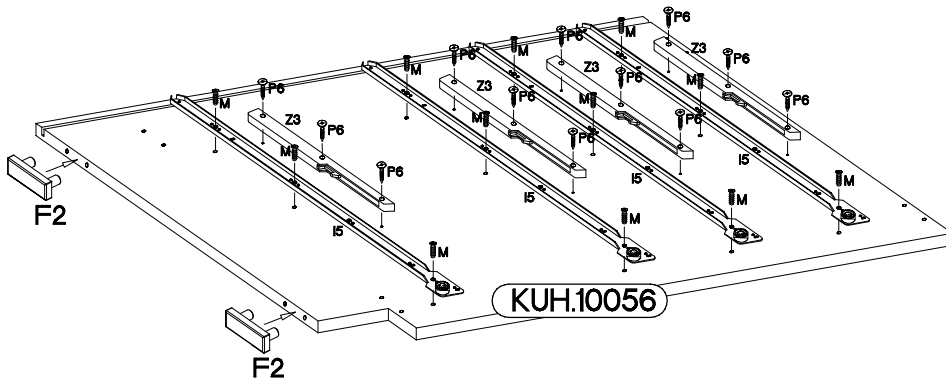
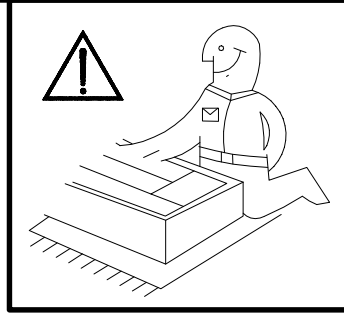
0,05  O11 1




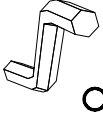



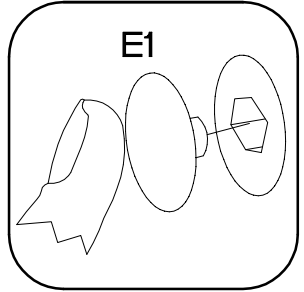
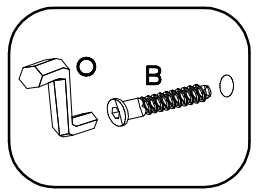
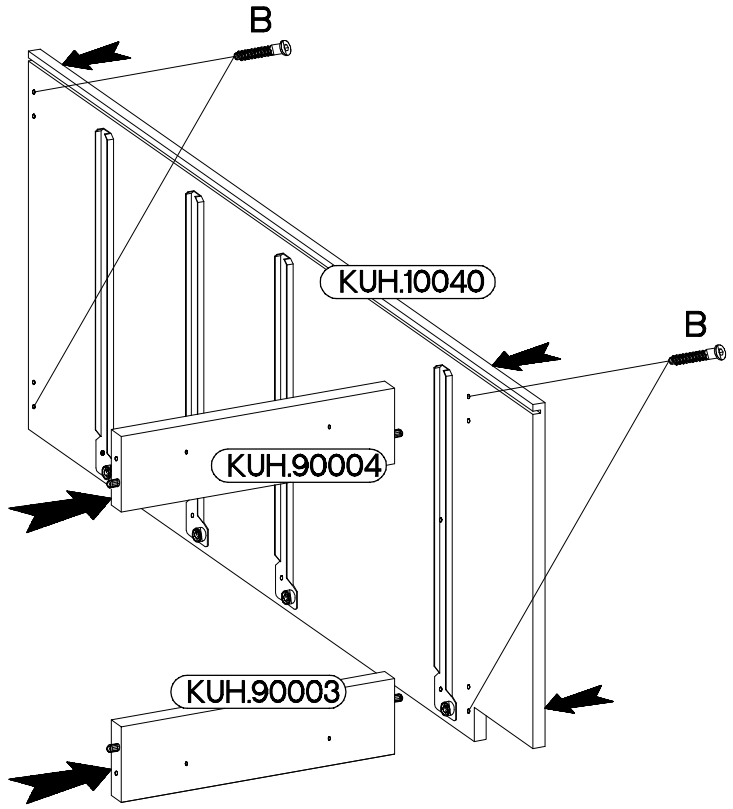
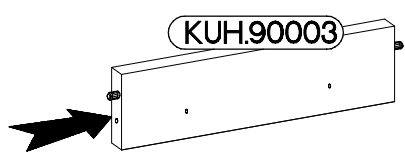
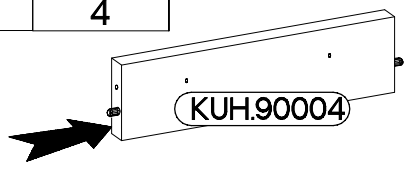
4

L=450mm  I5 4	±5.0x13mm  M 24	6.5x48x16  F2 4	 Z3 4	±3.5x20mm  P6 12	±8x30mm  A 8
--	--	--	---	---	---



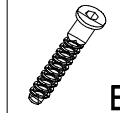
5

6,4 x 50mm  B 4	 O 1	 E1 4
---	---	--



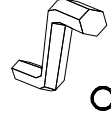
6

6,4 x 50mm



B

4



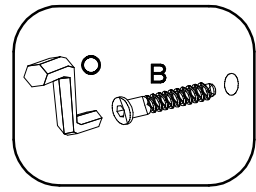
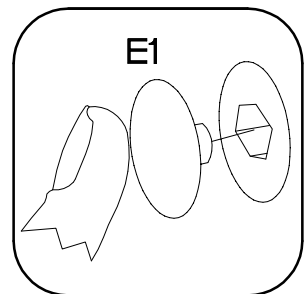
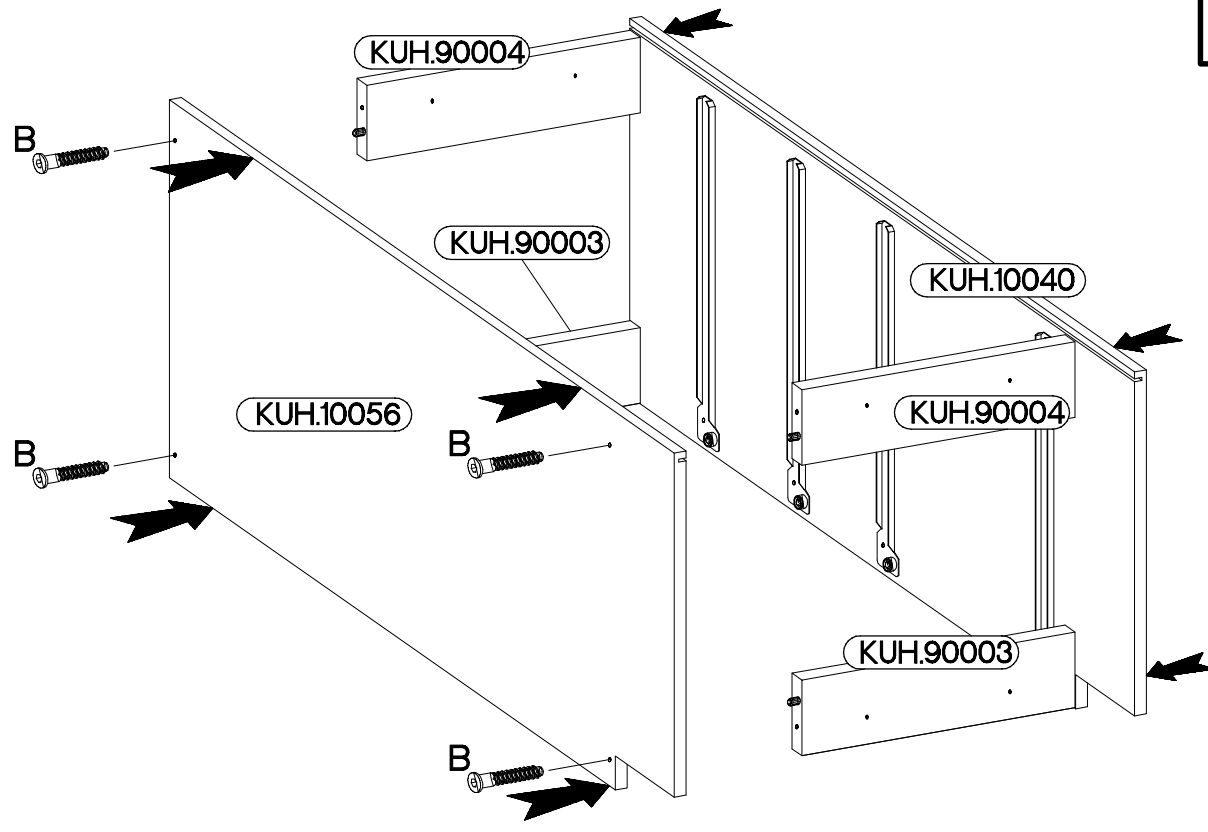
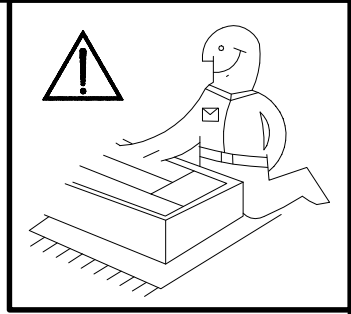
O

1

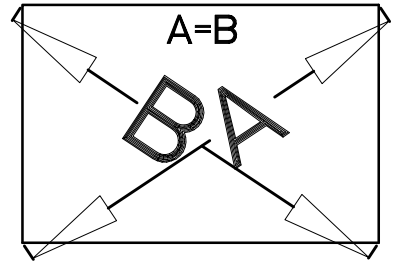
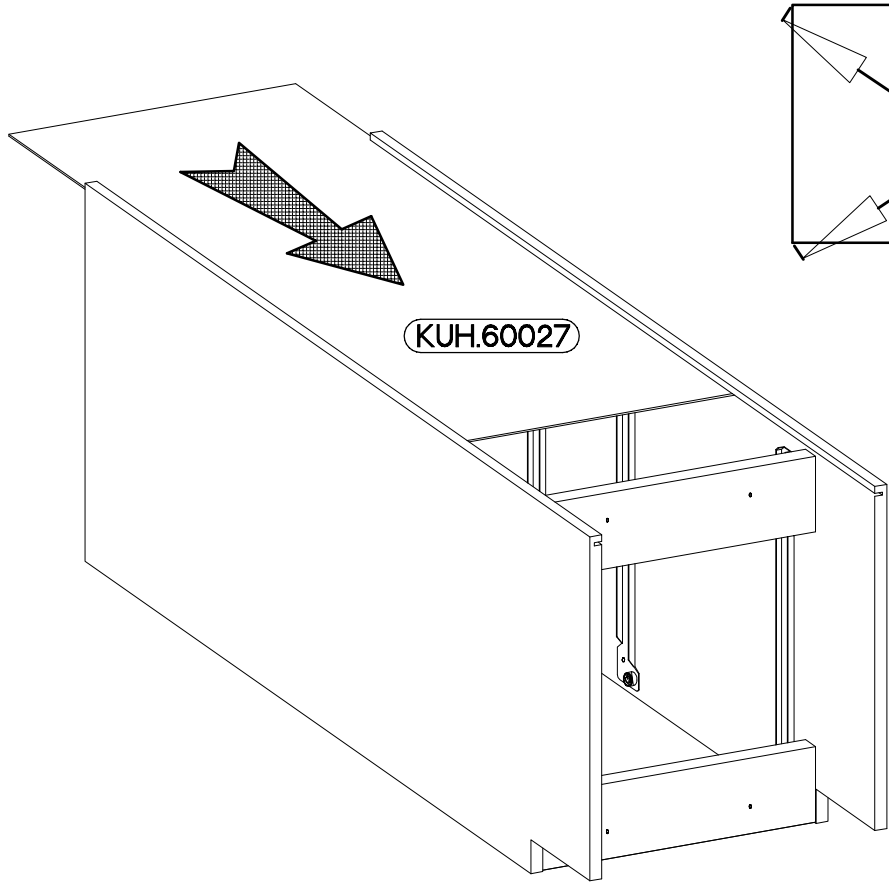


E1


4

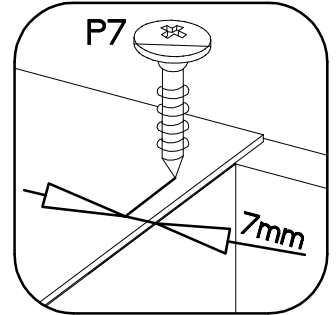
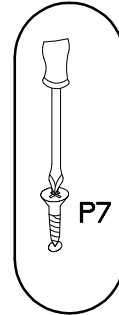
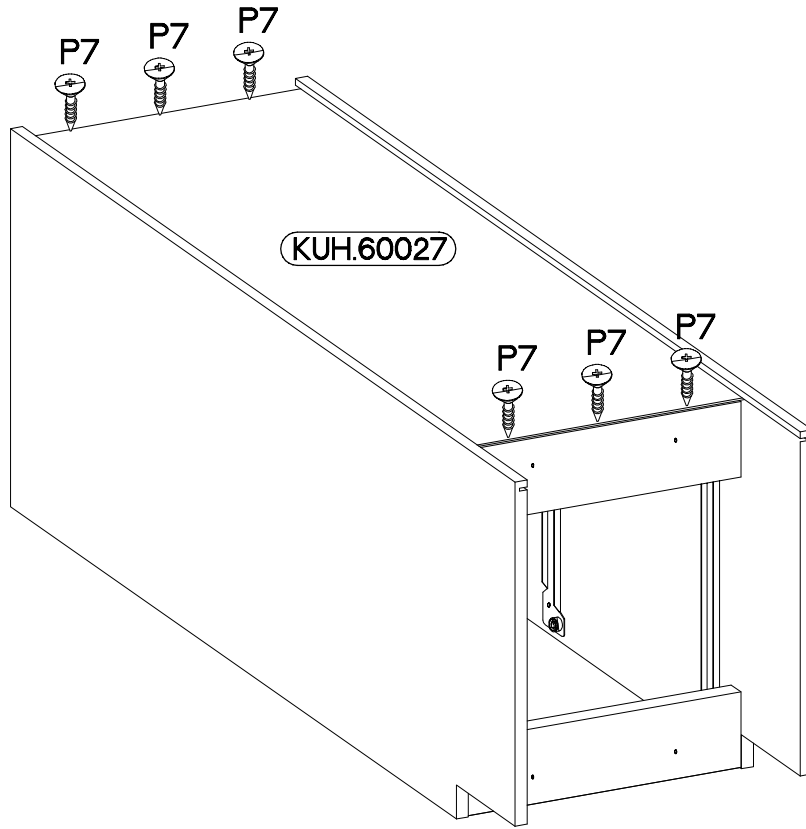
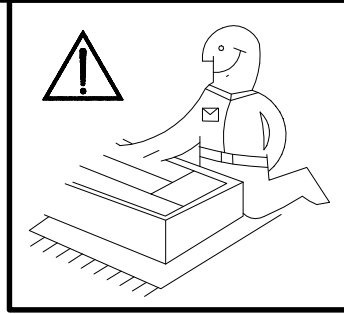


7

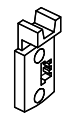



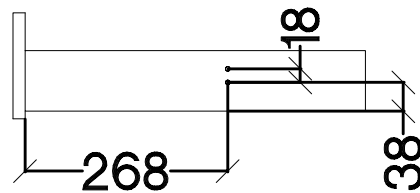
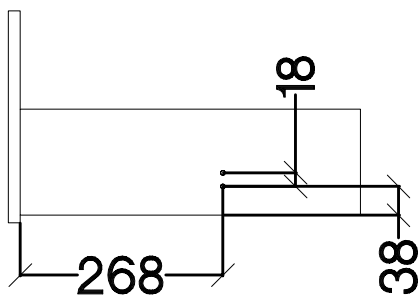
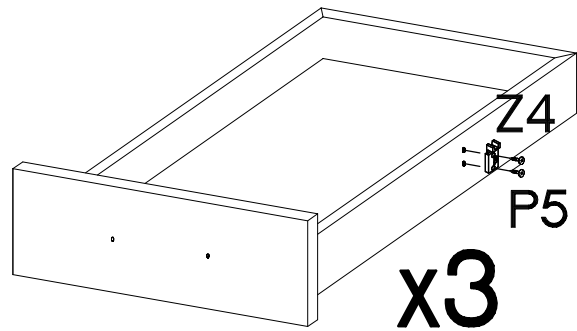
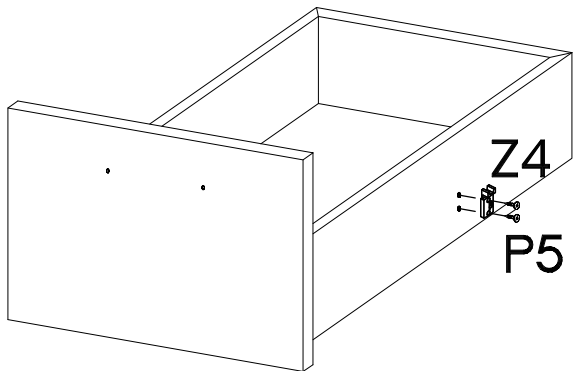
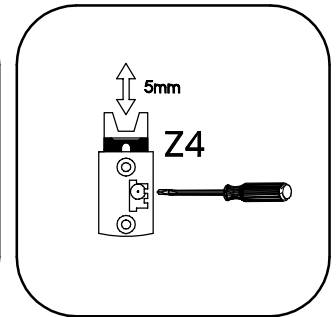
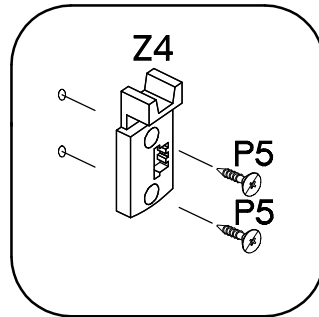
8

±3.0x20mm

P7
8-10





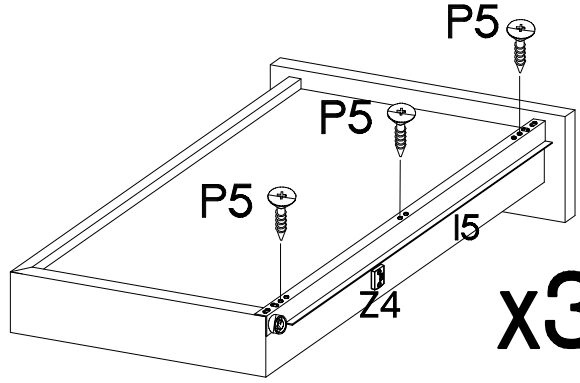
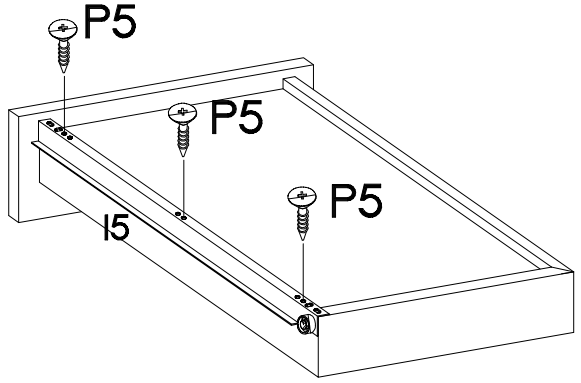
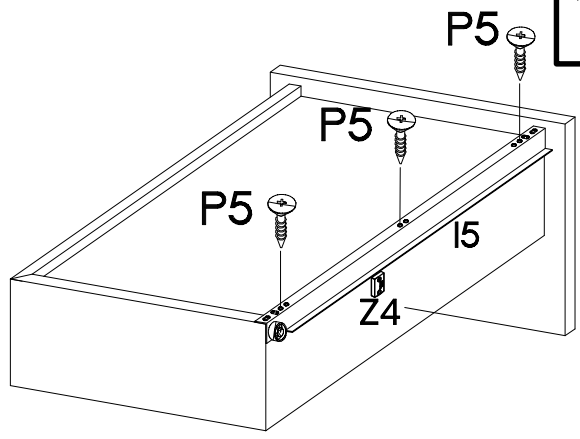
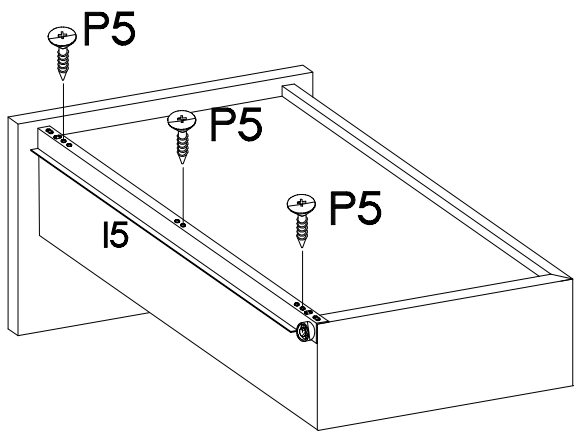
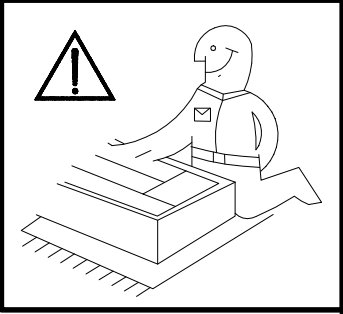
9

±3.5x13mm	
	Z4
8	4





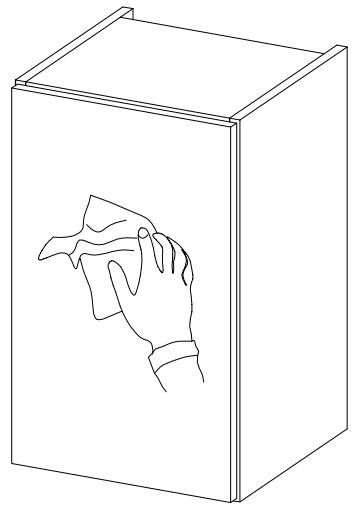
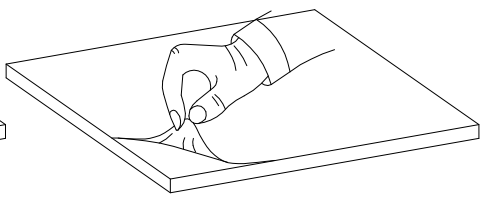
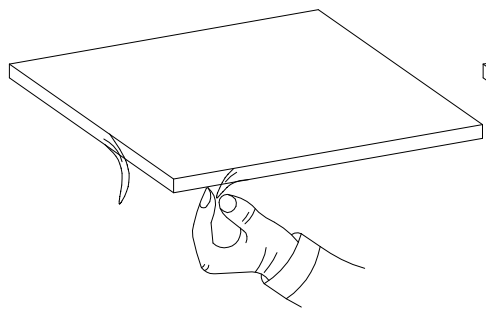
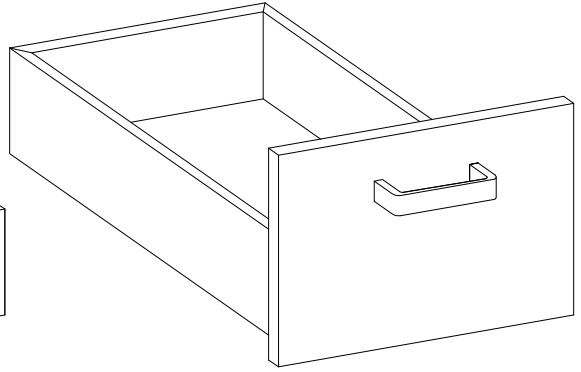
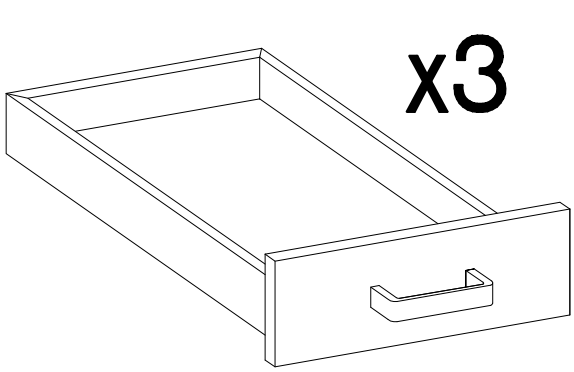
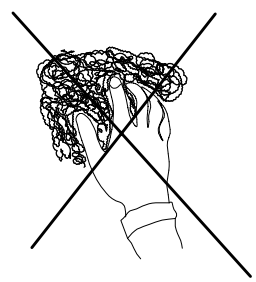
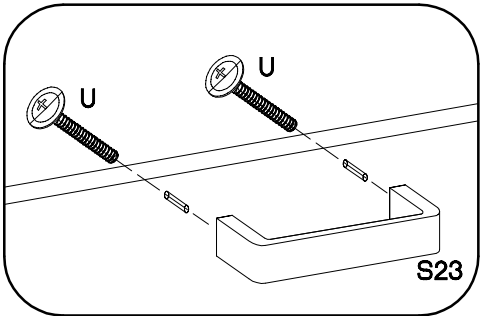
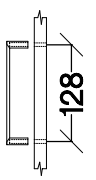
10

L=450mm  I5 4	+3.5x13mm  P5 24
--	---





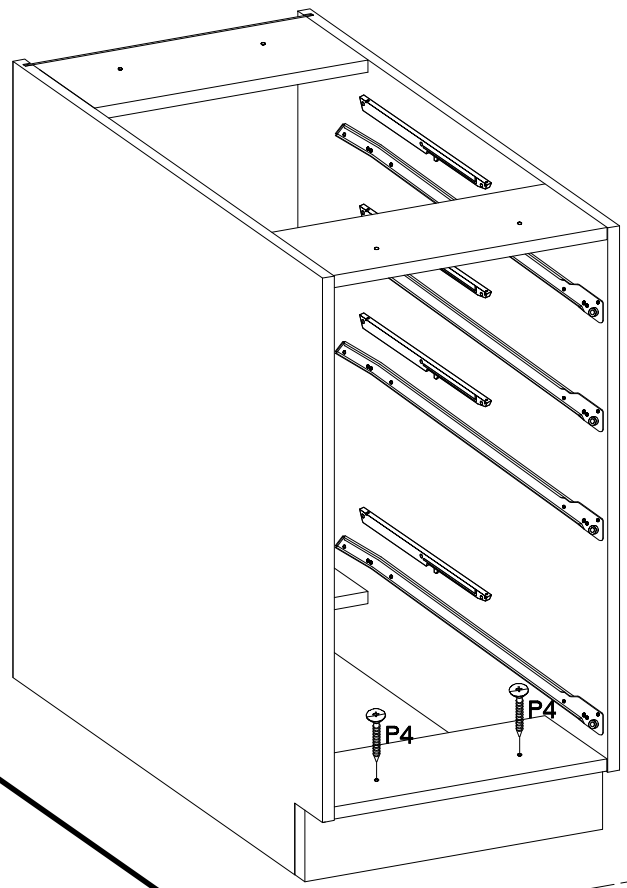
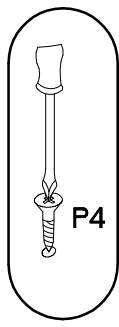
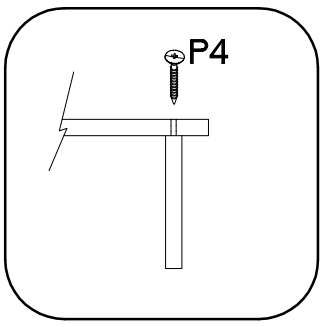
11

M4x22mm  U 8	 S23 4
--	---

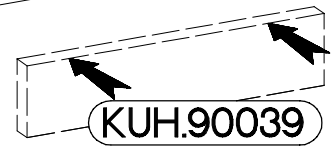
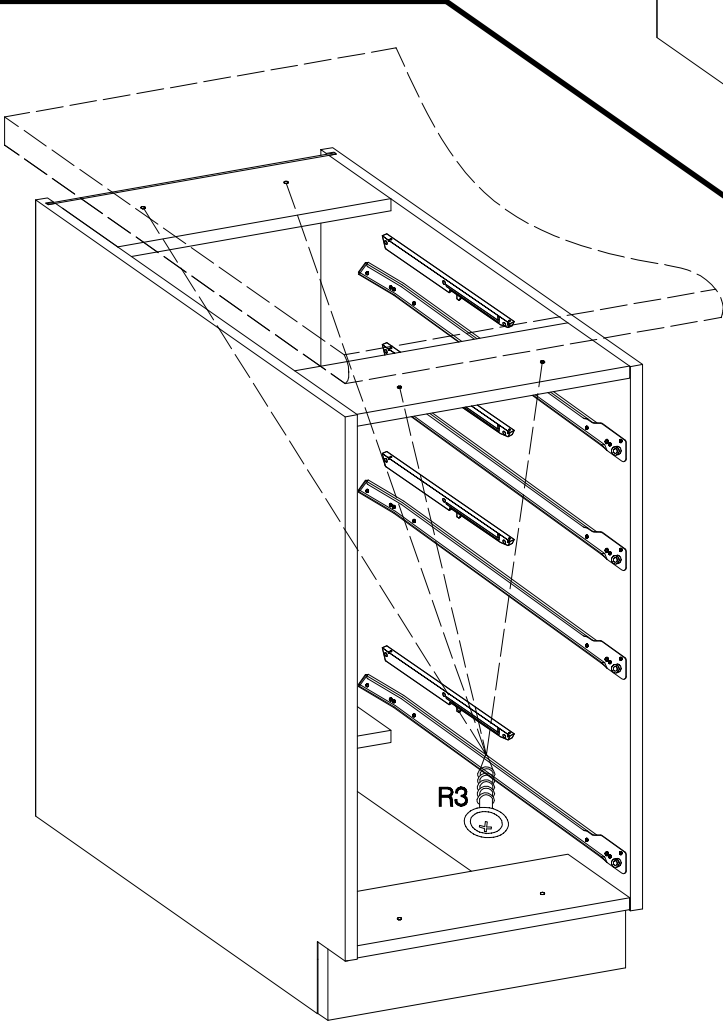



12

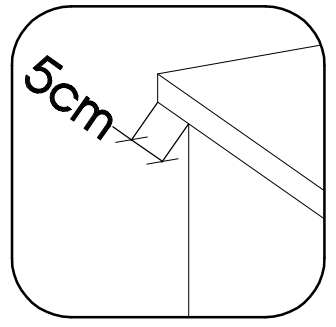
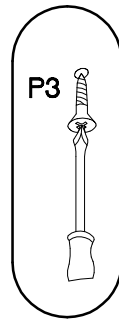
$\pm 4.0 \times 45 \text{mm}$  P4 2	 E9 2
---	--



13



$\pm 4.0 \times 35 \text{mm}$  R3 4
--



13

