
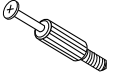









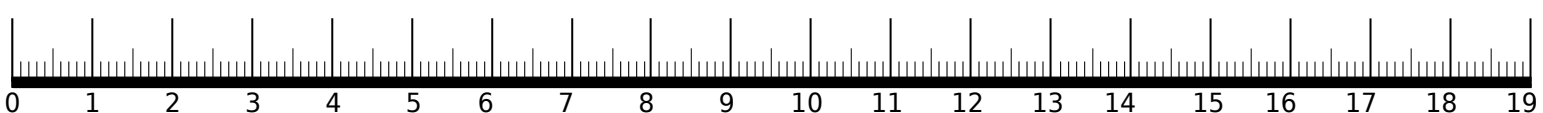
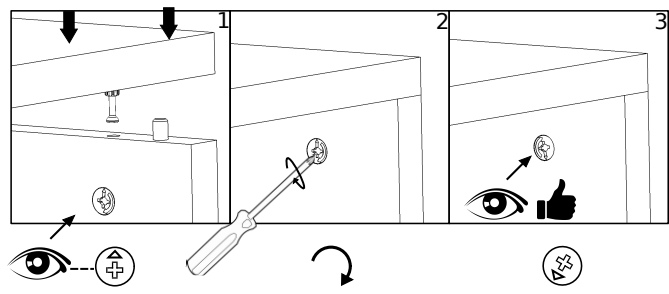
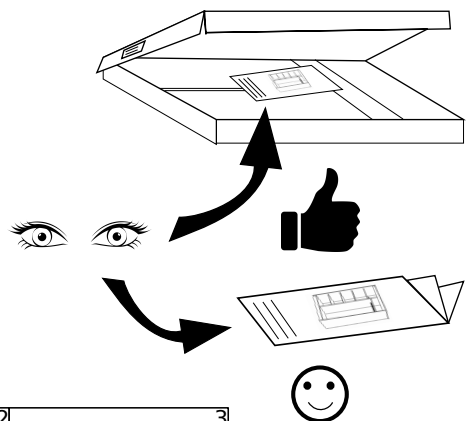
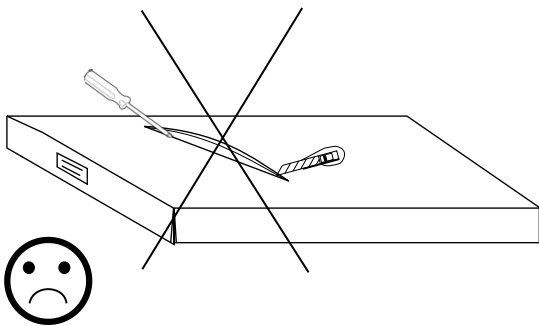
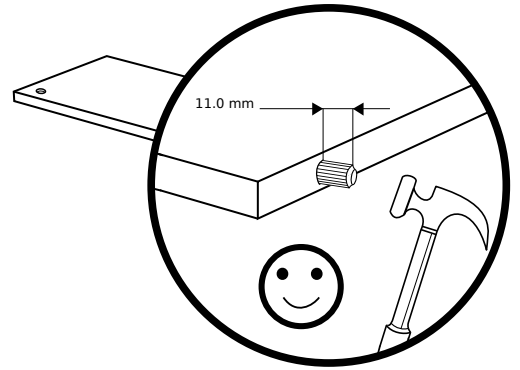
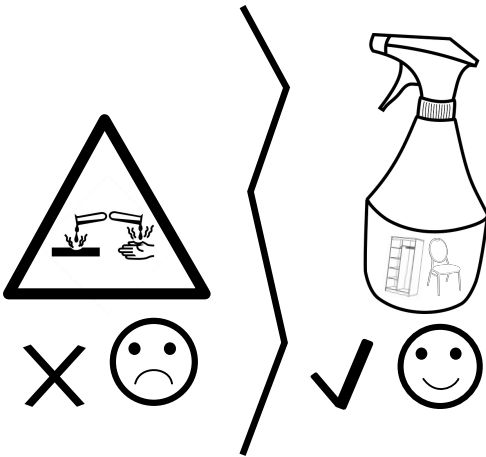
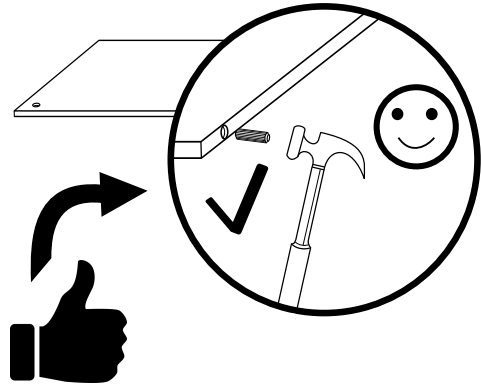
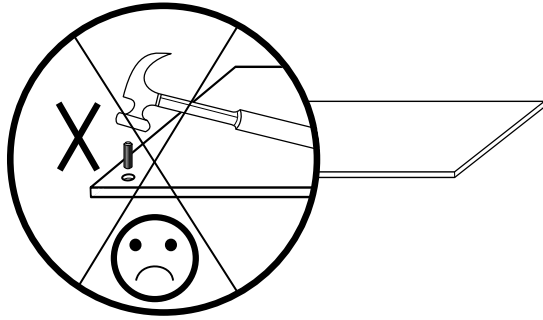
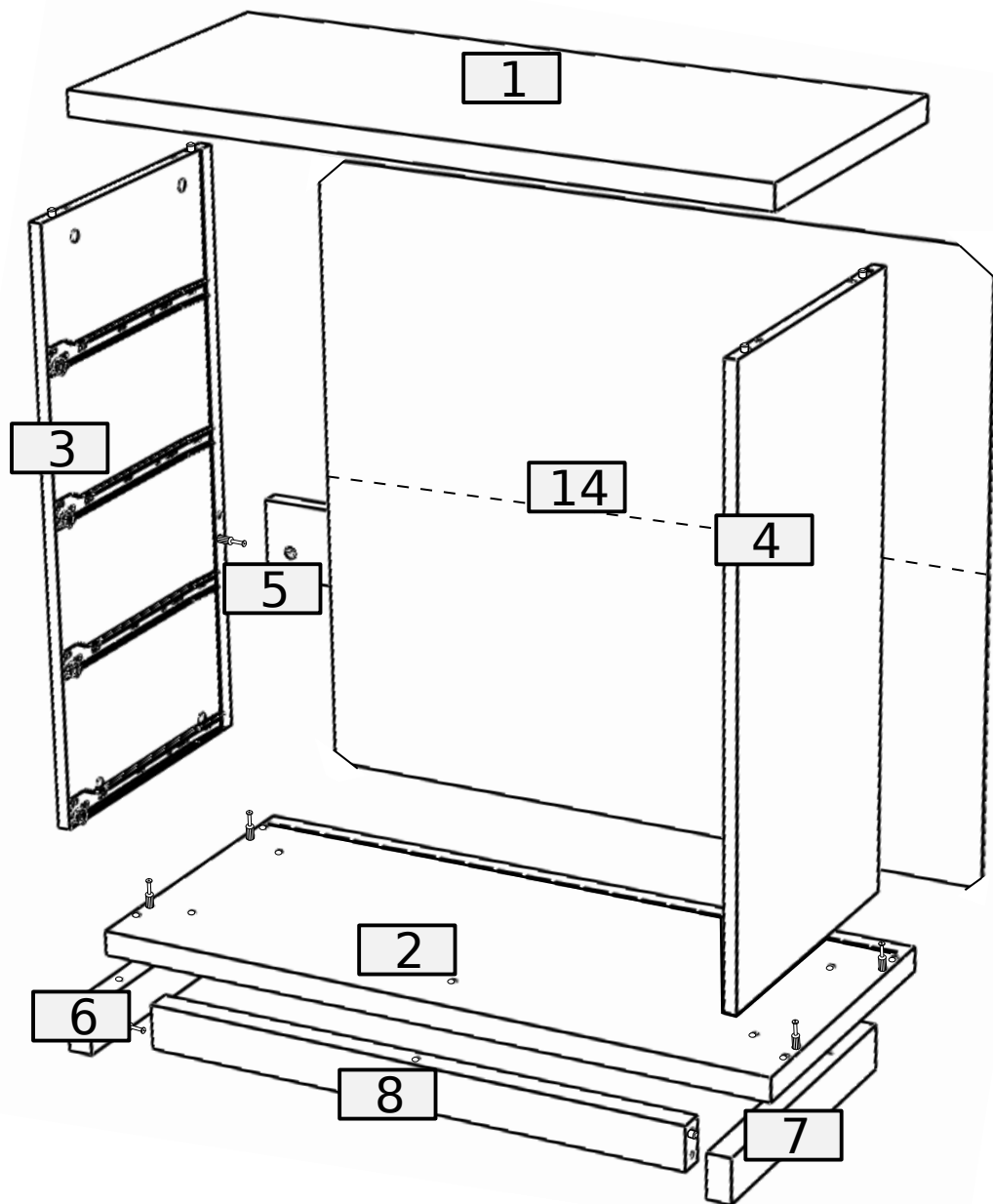
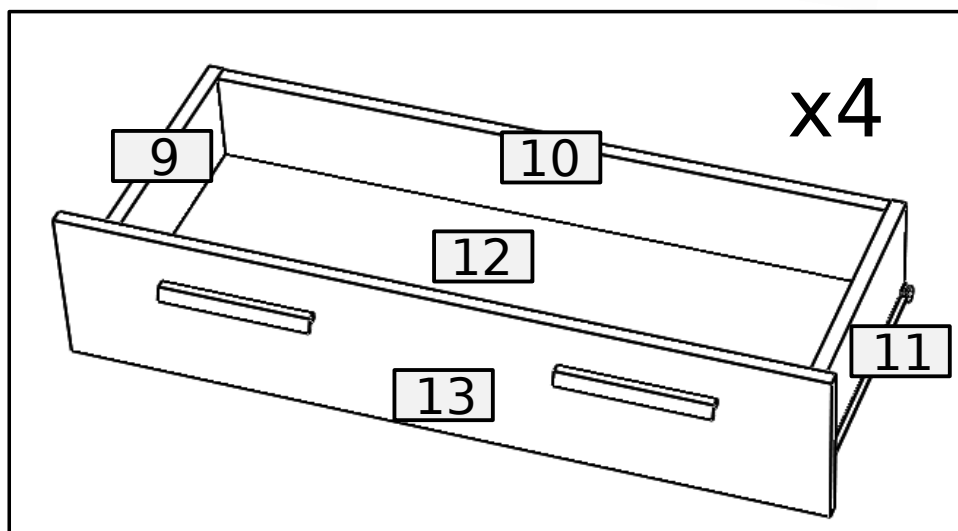


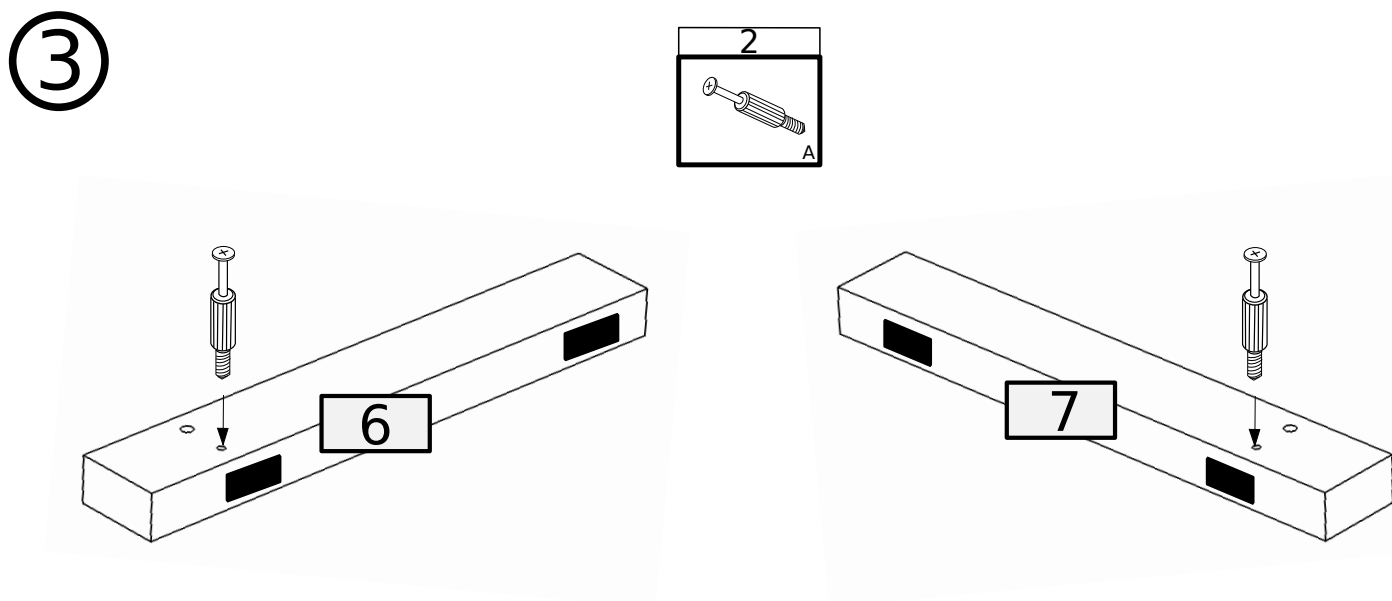
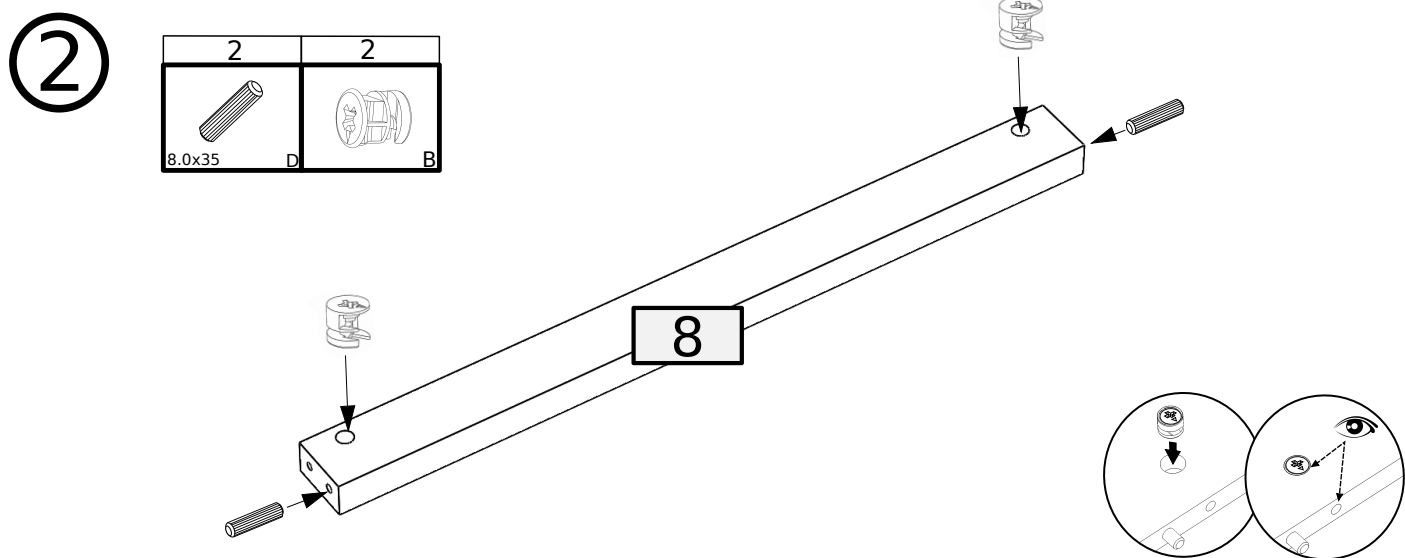
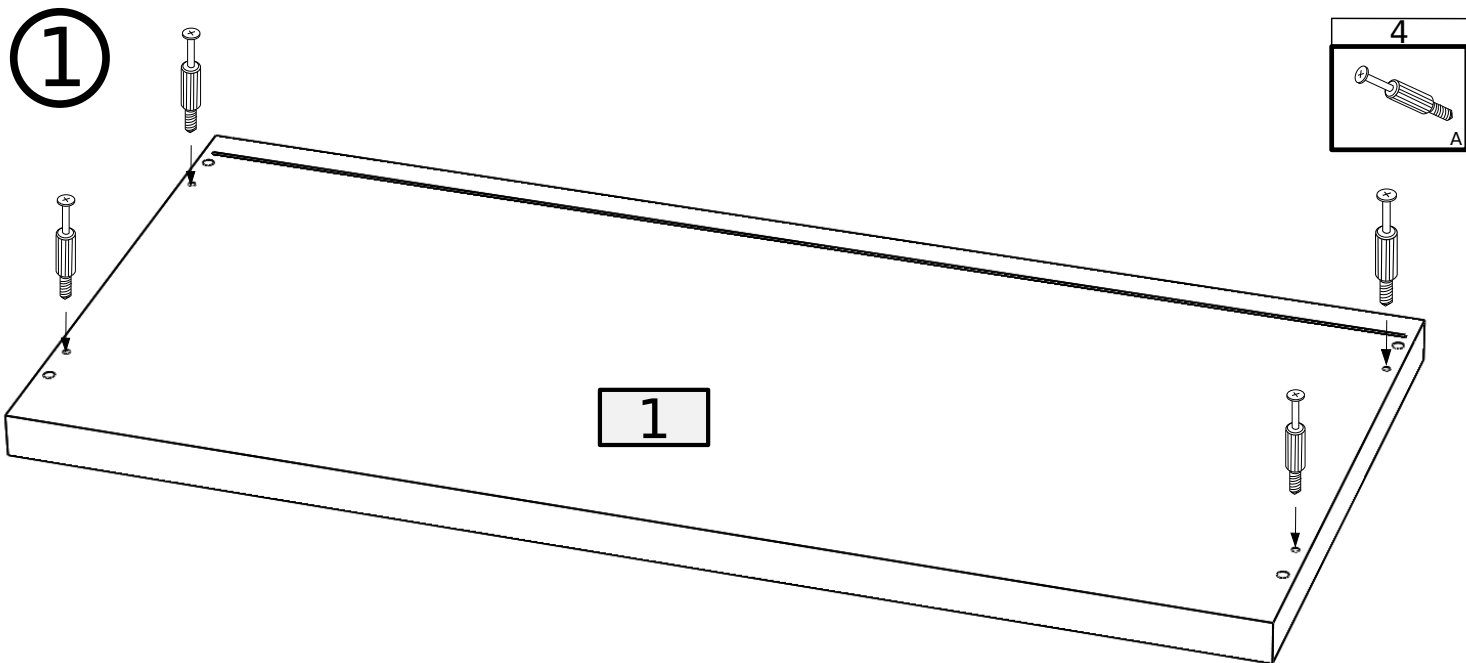
28	28	28	32	8	8
					
B	A 8.0x35	C 8.0x35	D 3.5x16 W2	I 160	U1
					
X L-350	O 3.0x20 W1 3.5x25 W10				
16	4	5	20	16	





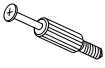


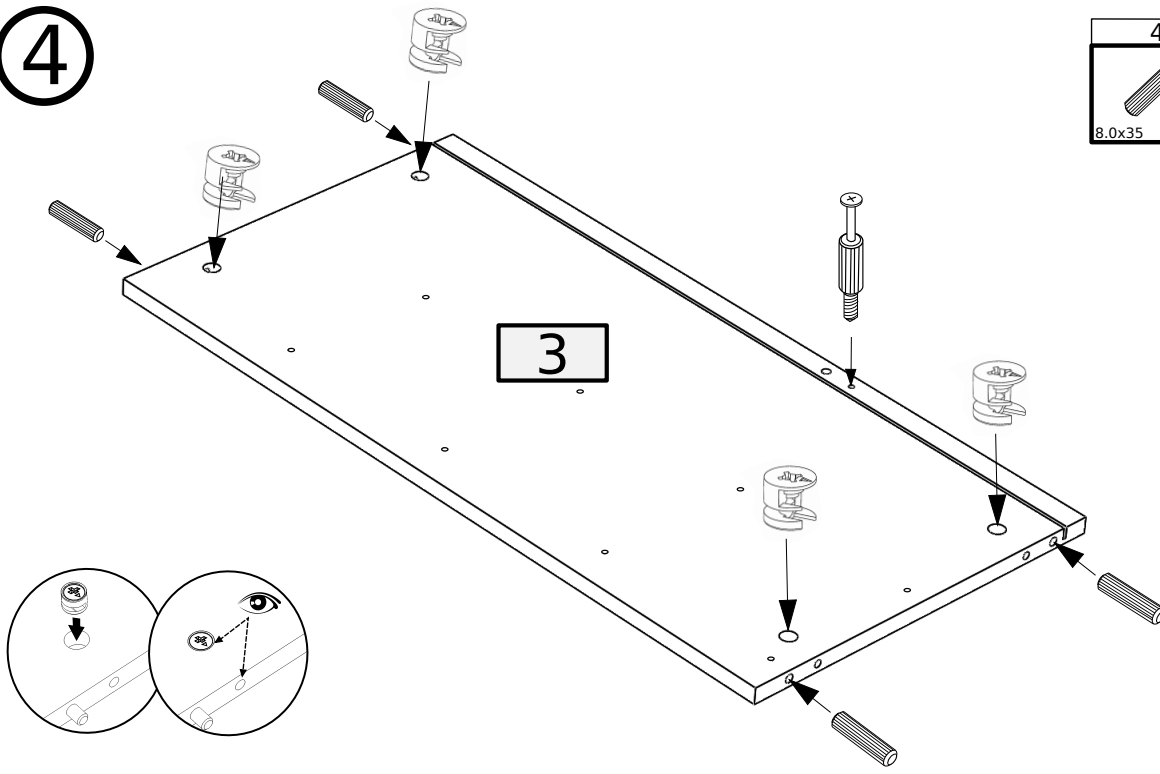
No.	Pcs.	L	W	D	Pac
1	1	900	400	32	1/2
2	1	900	400	32	1/2
3	1	770	380	16	2/2
4	1	770	380	16	2/2
5	1	866	90	16	2/2
6	1	398	60	32	1/2
7	1	398	60	32	1/2
8	1	736	60	32	1/2
9	4	350	130	16	2/2
10	4	809	110	16	1/2
11	4	350	130	16	2/2
12	4	824	357	3	2/2
13	4	896	188	16	2/2
14	1	880	784	3	2/2



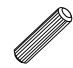

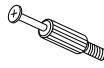


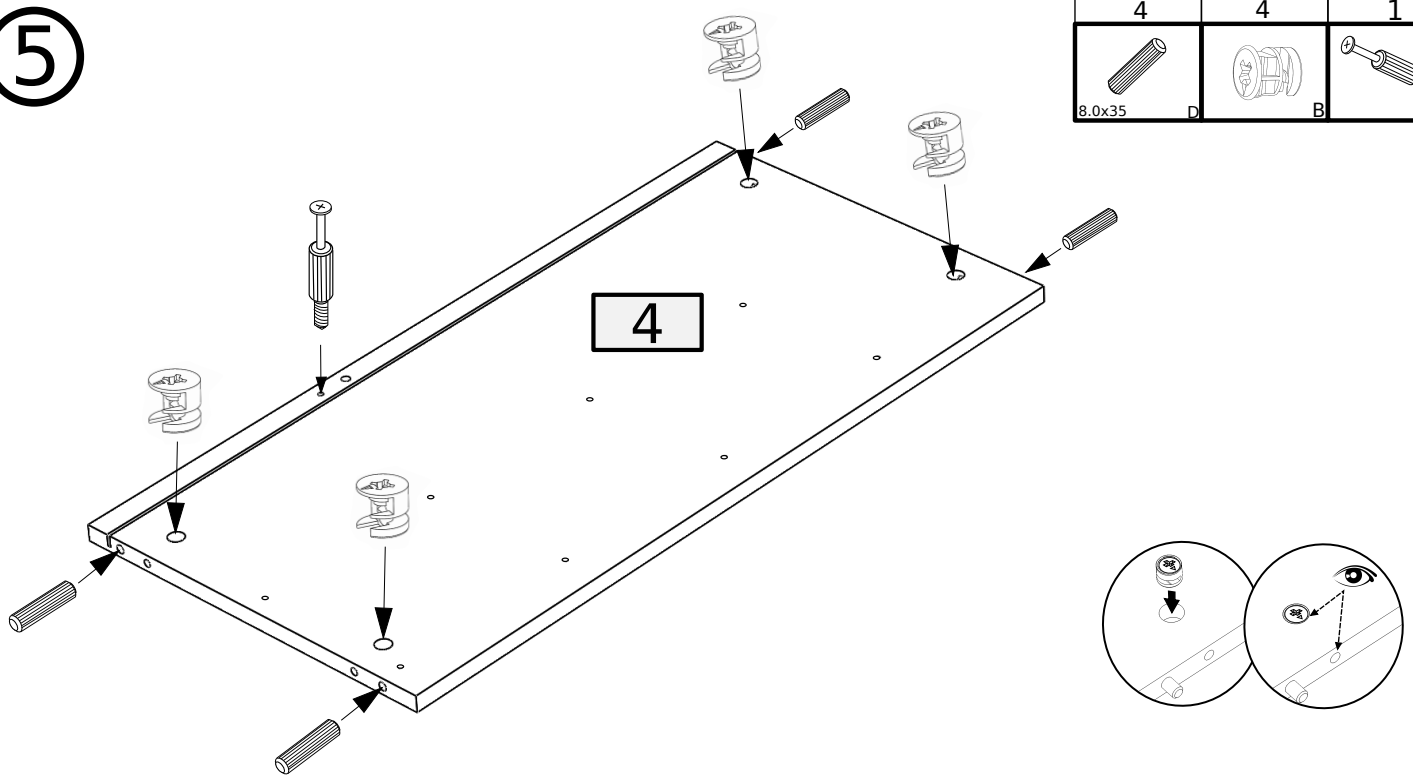
4

4	4	1
		
8.0x35	D	B





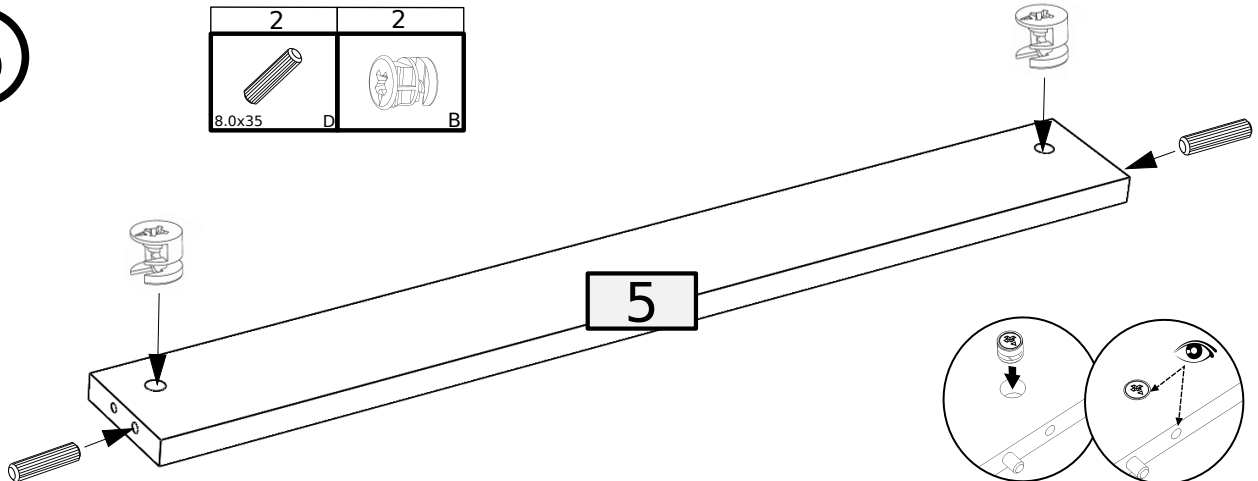
5

4	4	1
		
8.0x35	D	B

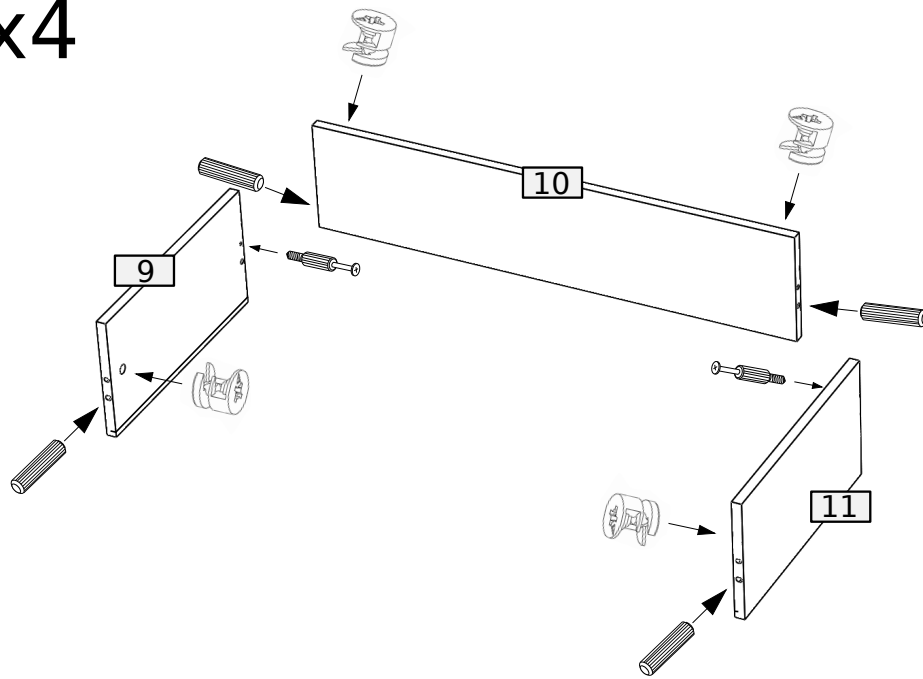


6

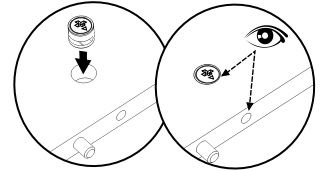
2	2
	
8.0x35	D



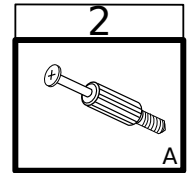
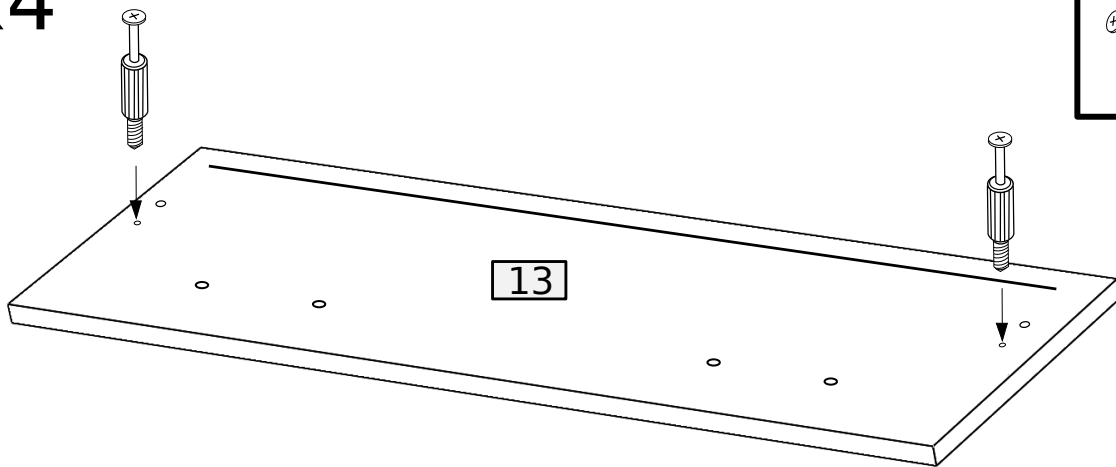
⑦ x4



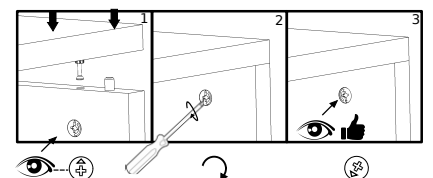
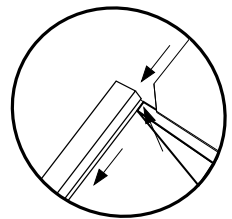
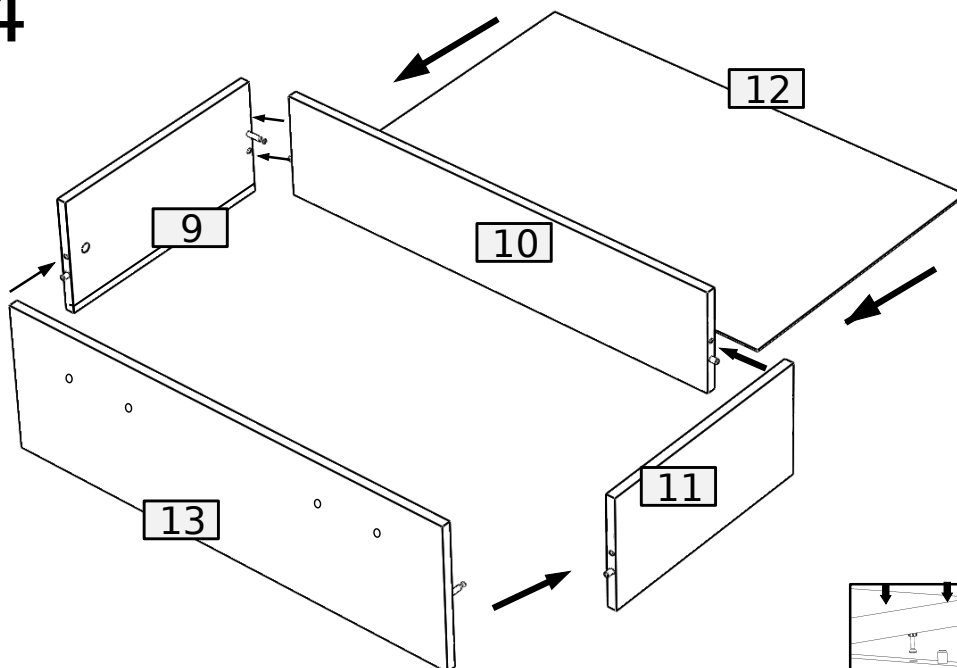
2	4	4
A	B 8.0x35	D



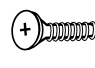


⑧ x4

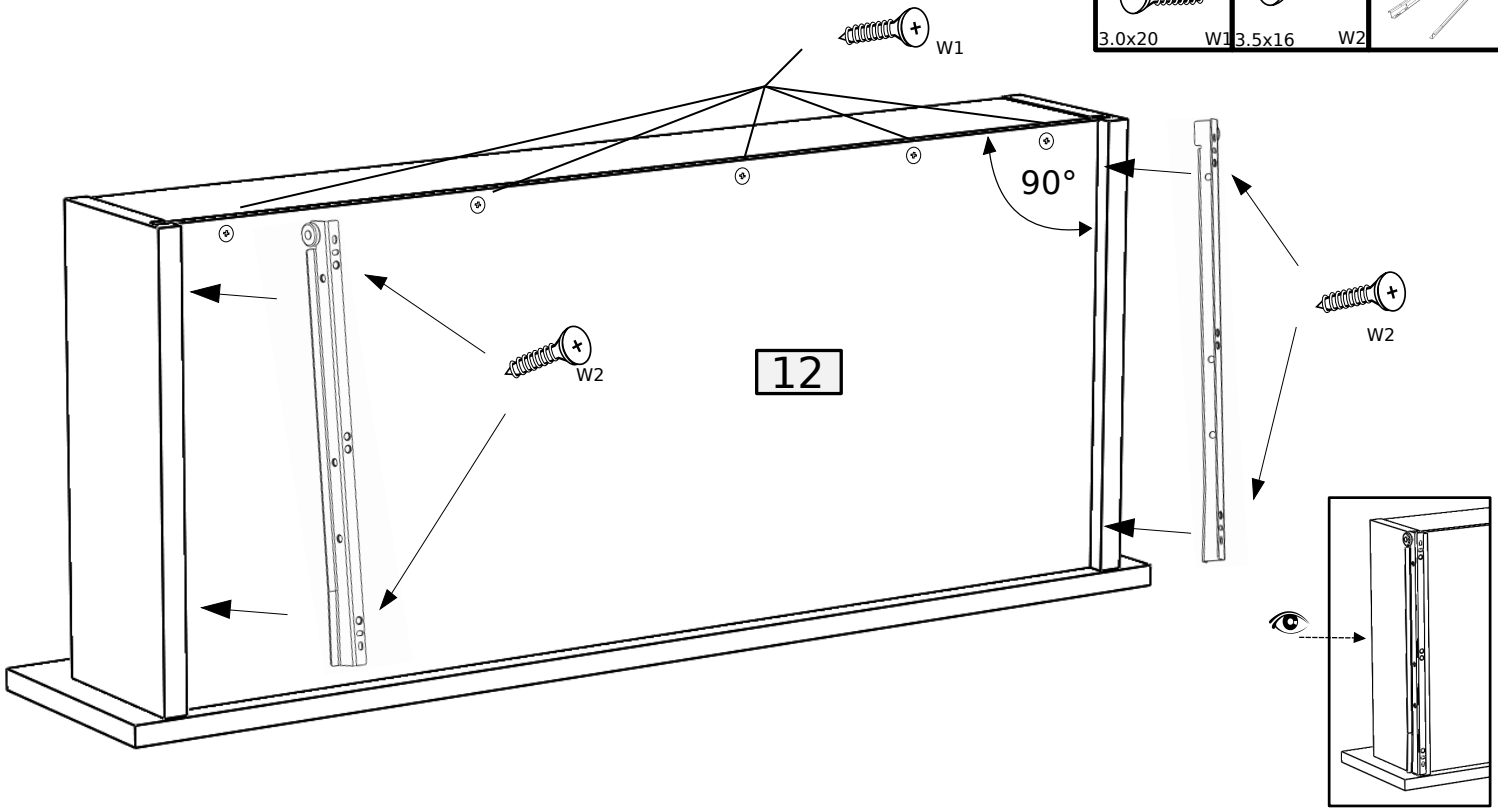


⑨ x4

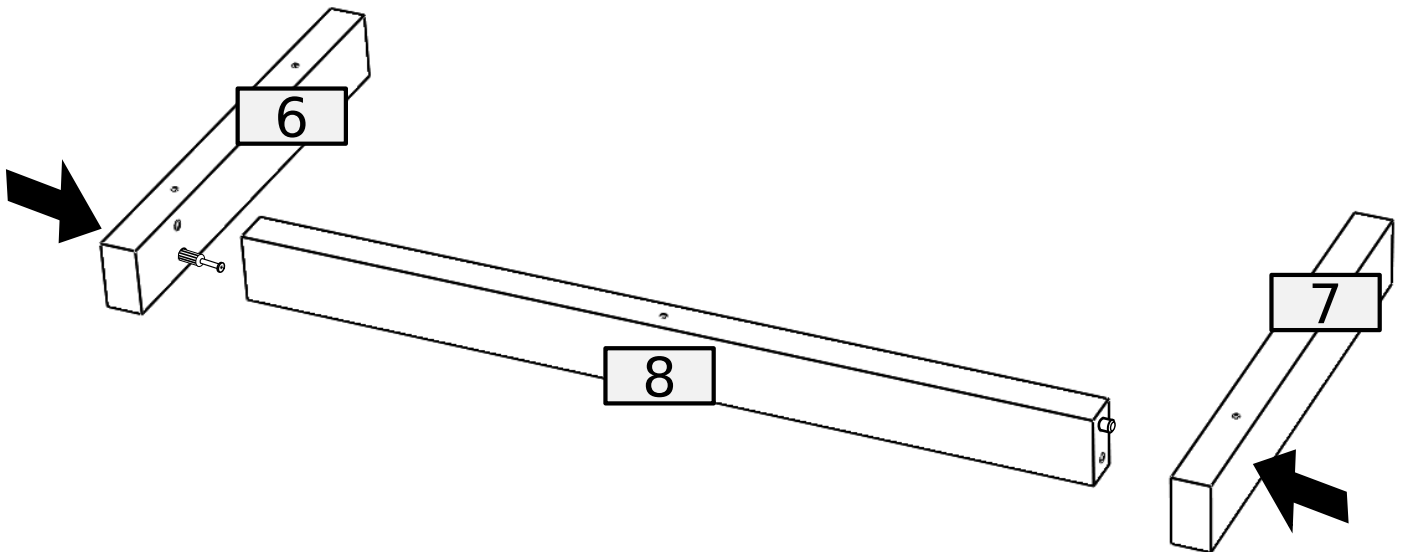
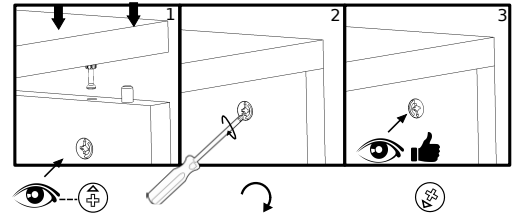


10 x4

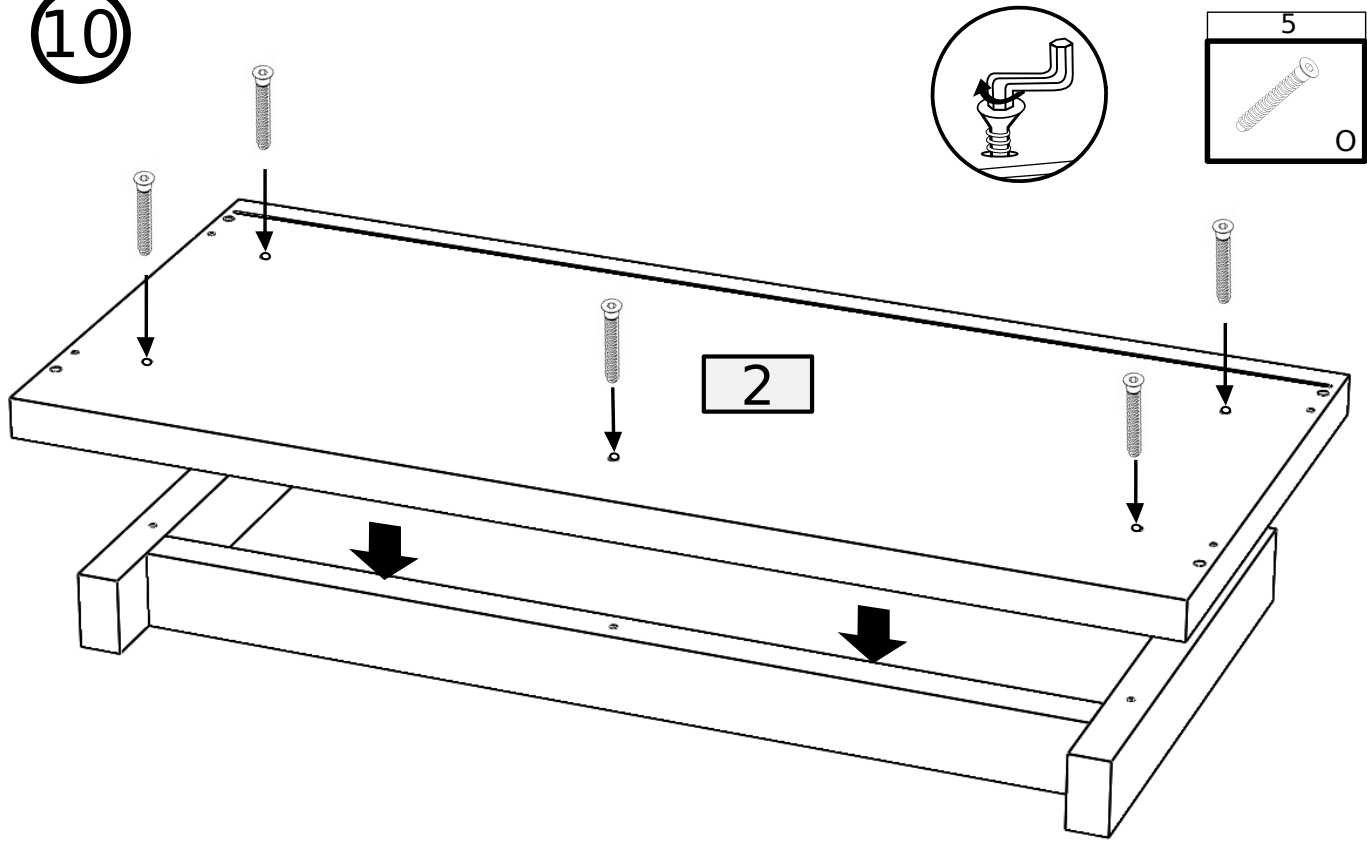
5	4	2
		
3.0x20	W1 3.5x16	W2



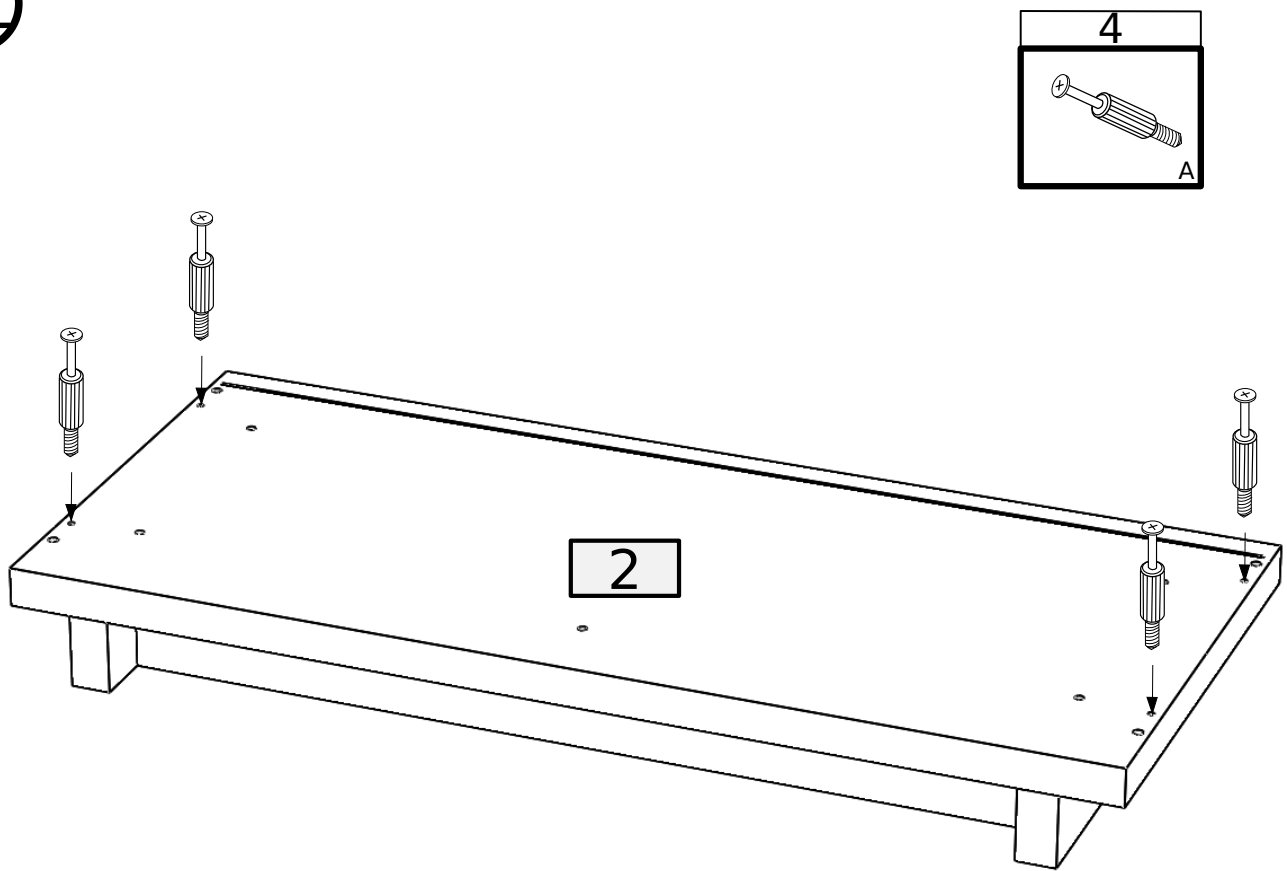
11



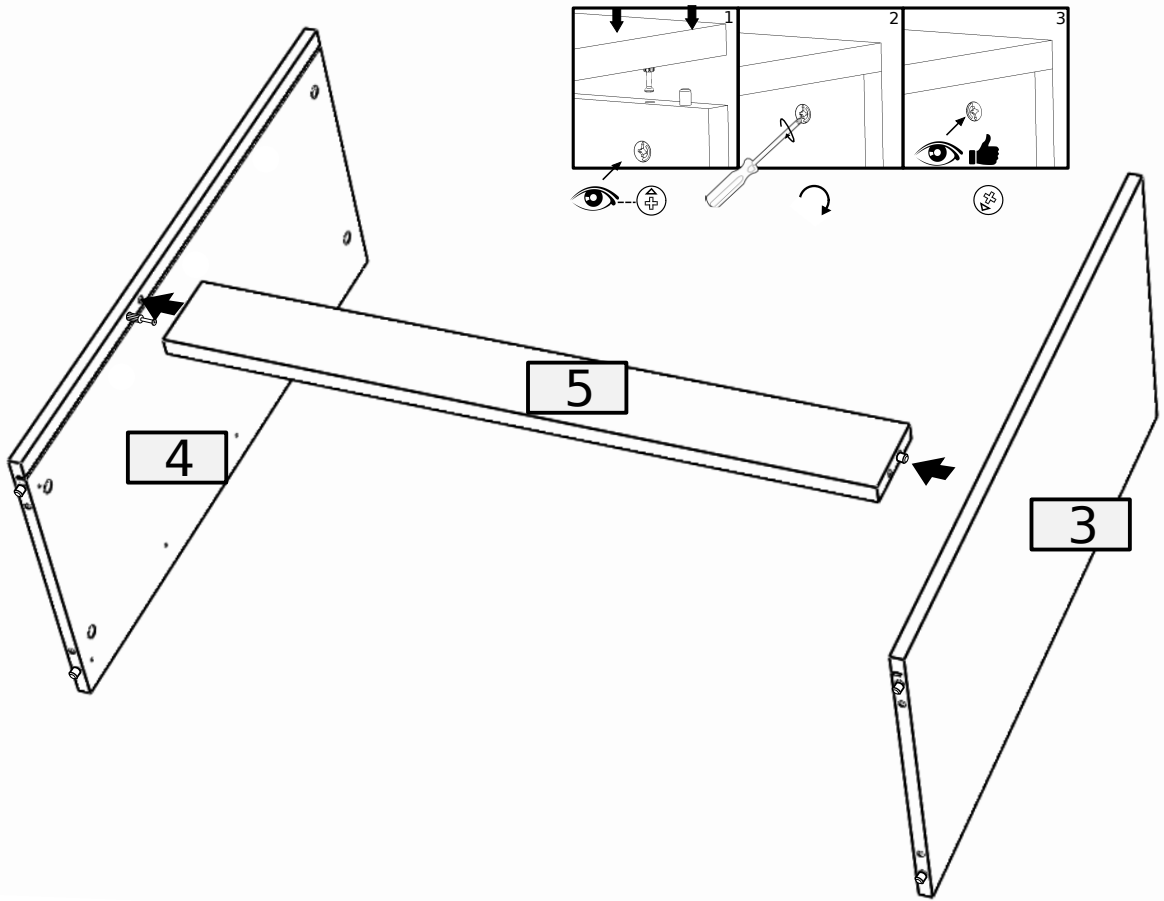
10



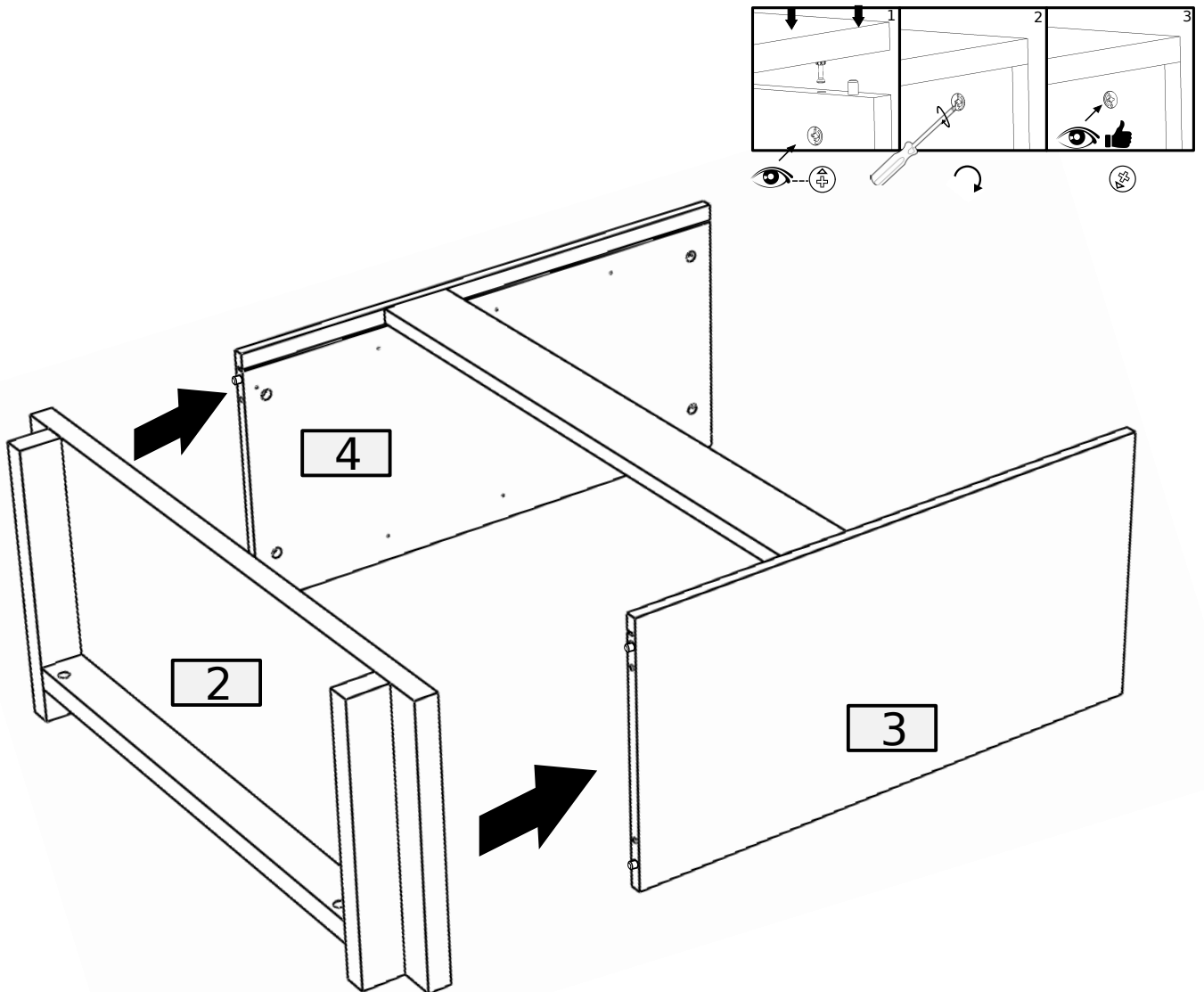
11



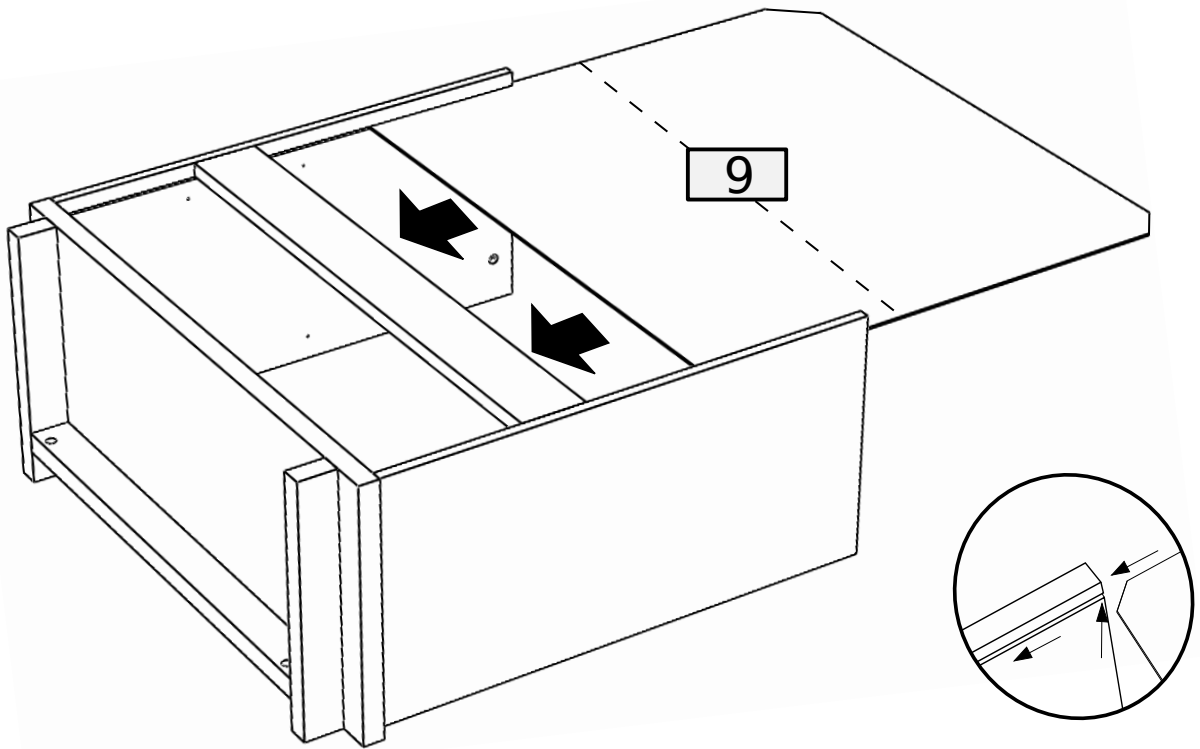
12



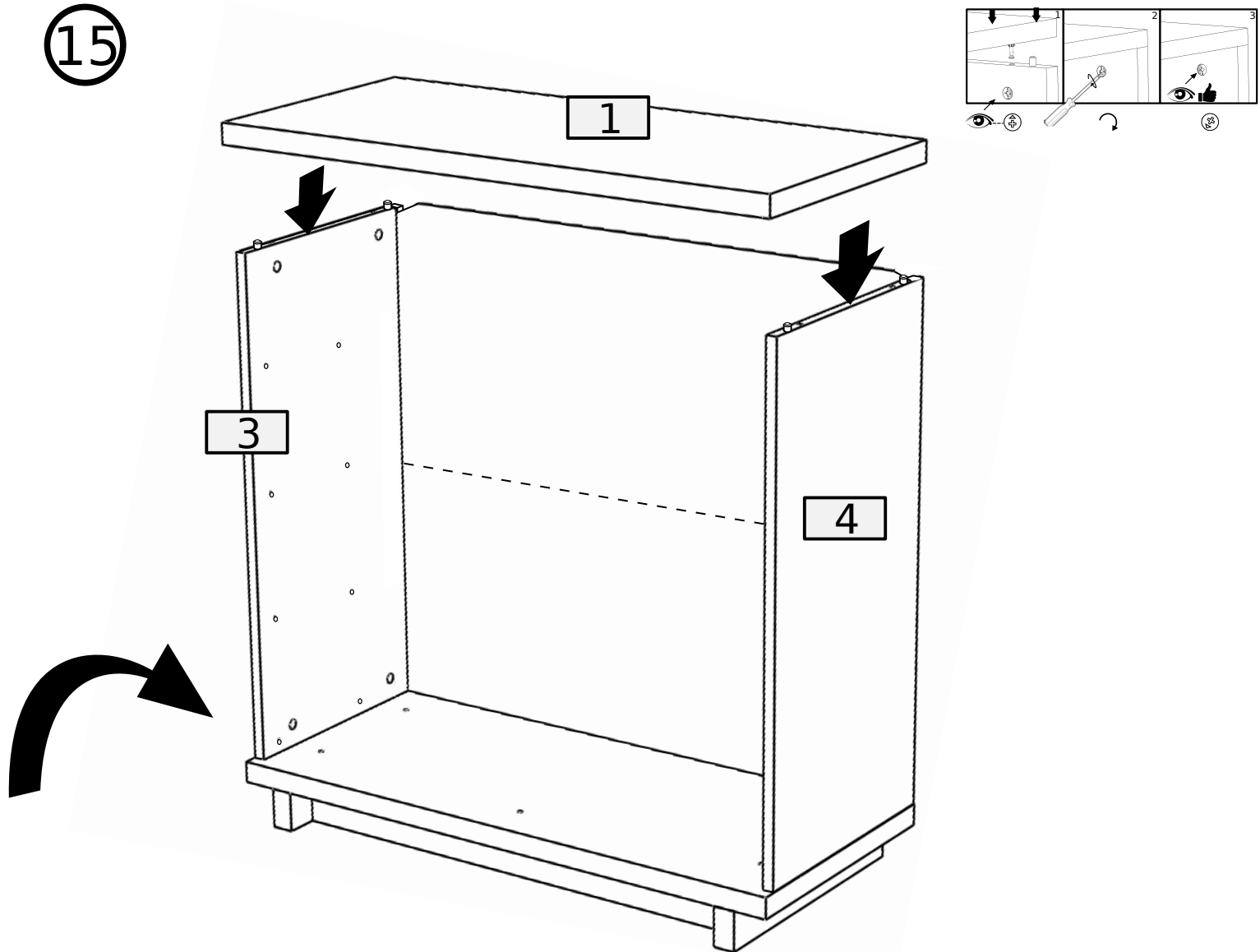
13



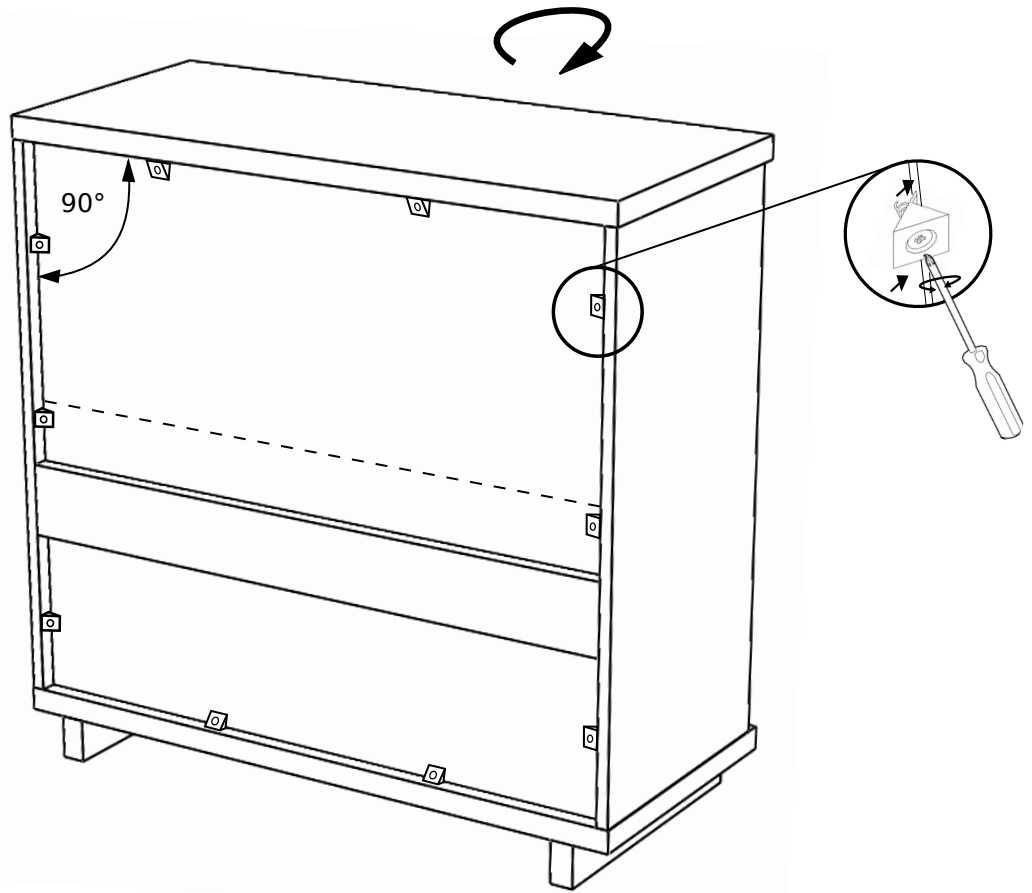
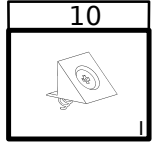
14



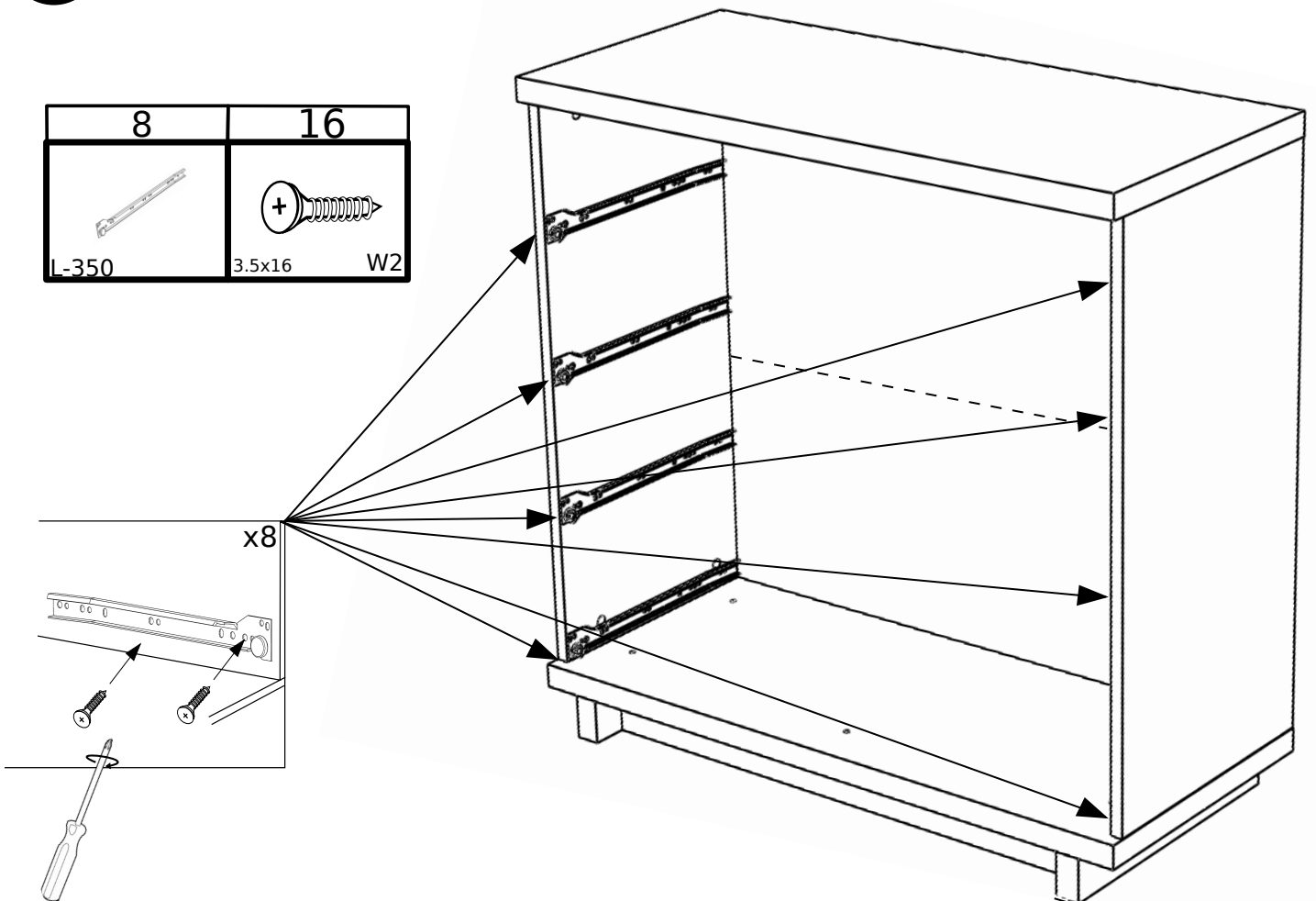
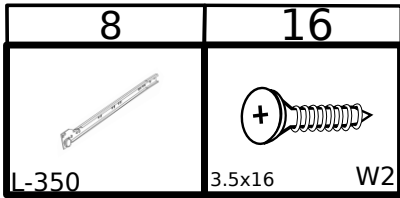
15



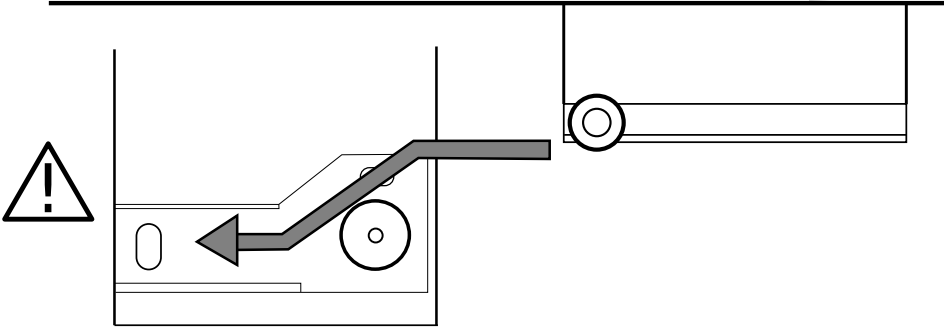
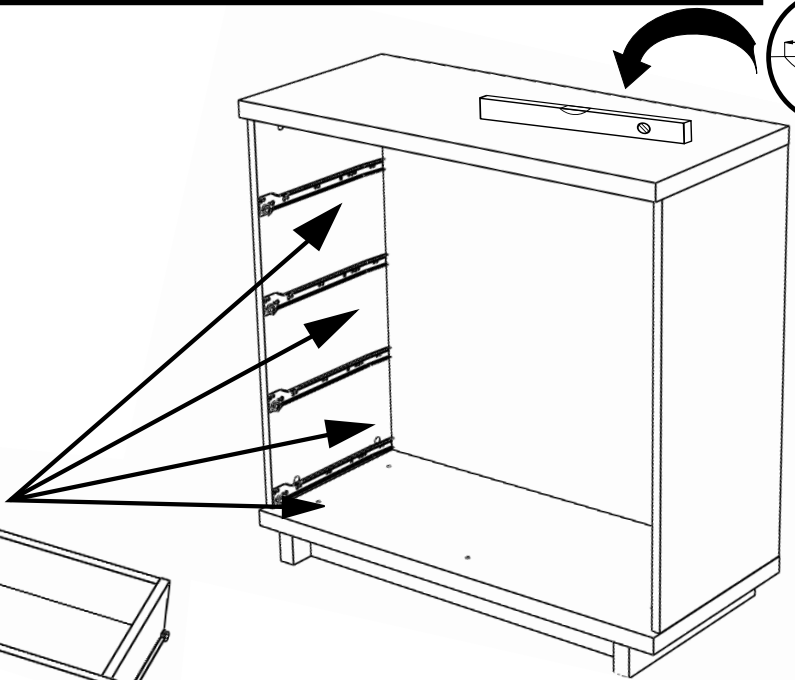
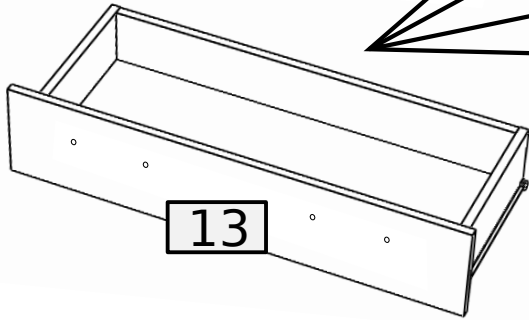
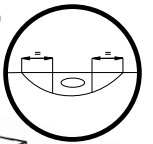
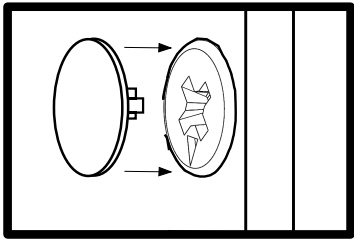
16



17



18



8	16
160	U 3.5x25 W10

