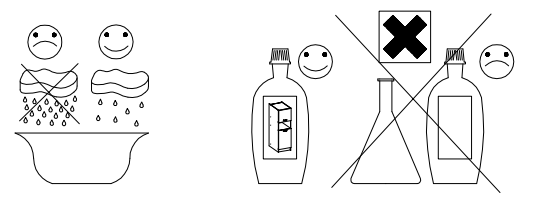
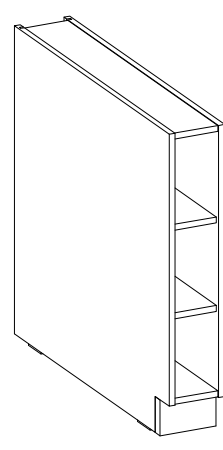
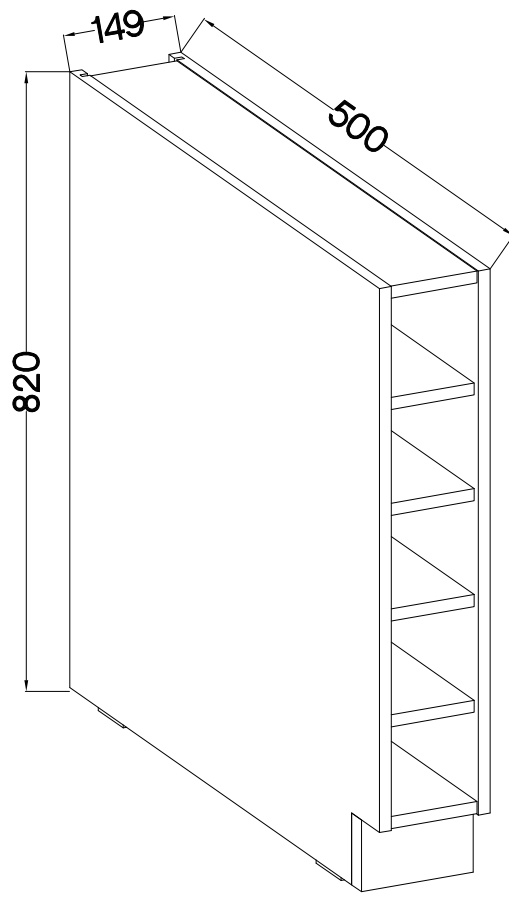
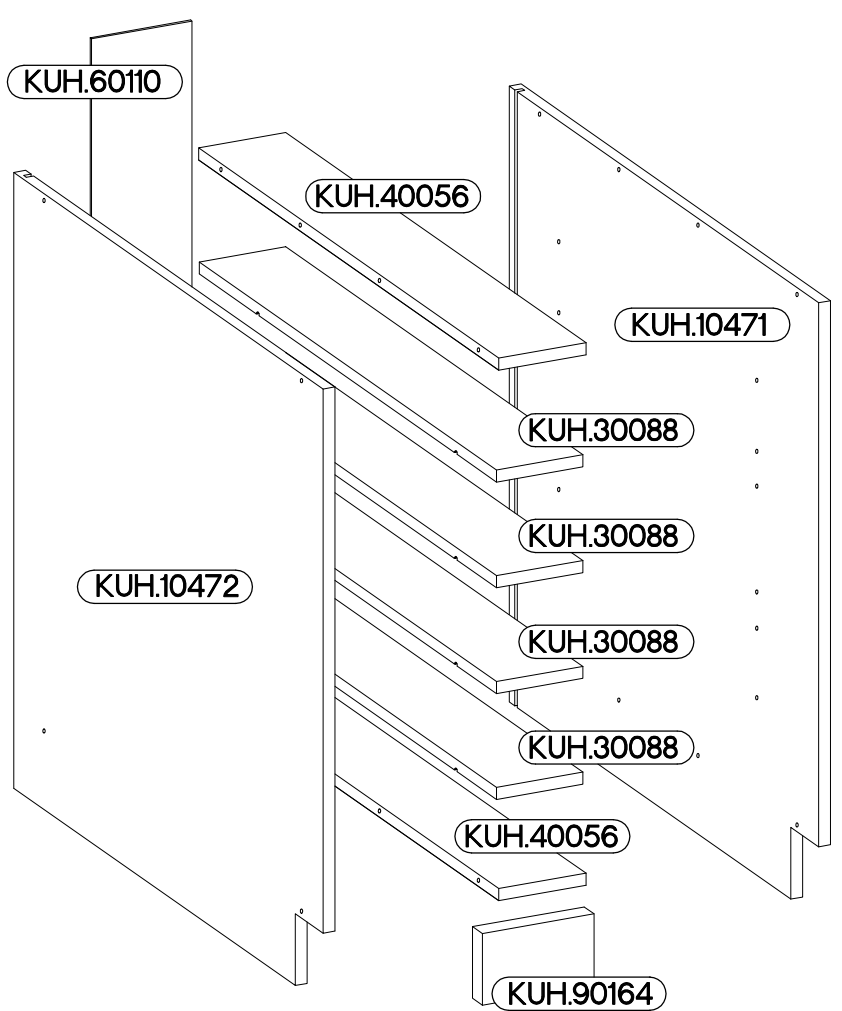
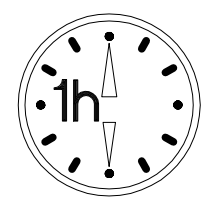


15 D OTW BB

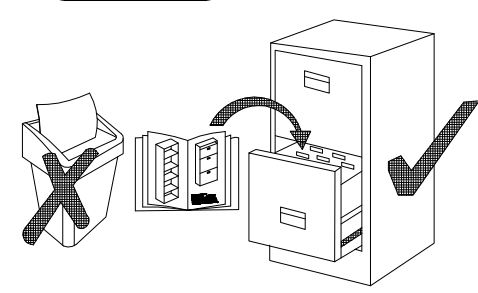


KUH.30088  
KUH.40056


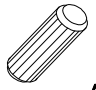


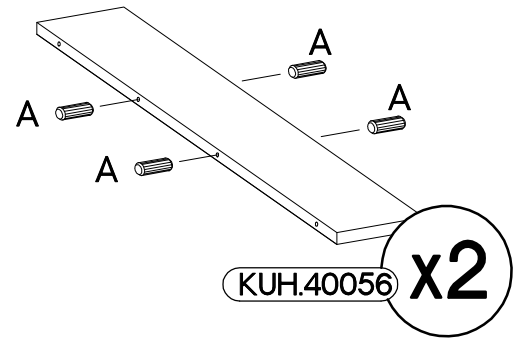
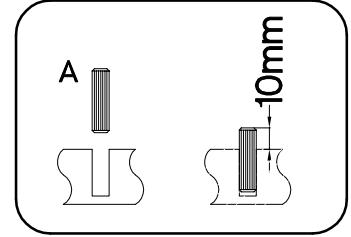
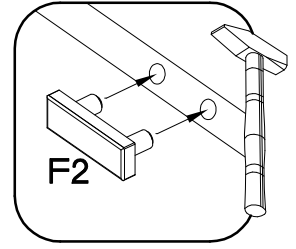
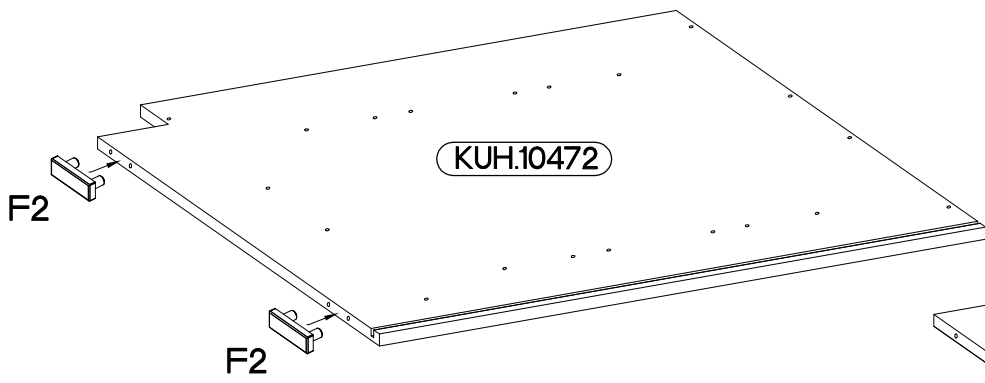
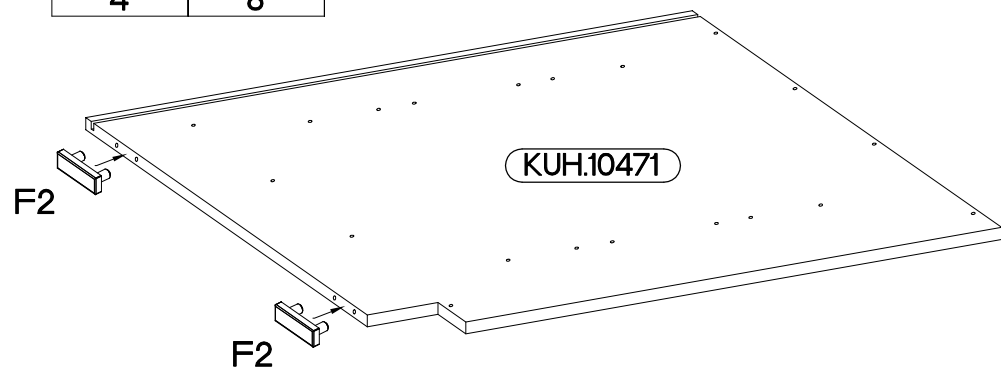
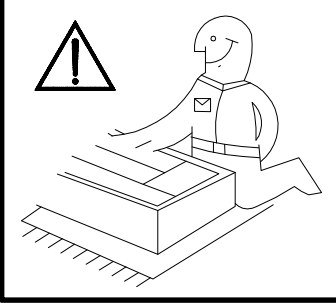
KUH.10471	815x500x16
KUH.10472	815x500x16
KUH.30088 x4	117x480x16
KUH.40056 x2	117x485x16
KUH.60110	713x135x2,5
KUH.90164	149x95x16

 <b>A</b> 8	 <b>B</b> 8	 <b>E1</b> 8	 <b>F2</b> 4
 <b>J3</b> 16	 <b>O</b> 1	 <b>P1</b> 2	 <b>P7</b> 4
		 <b>T3</b> 1	


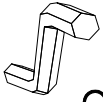



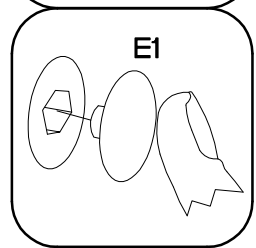
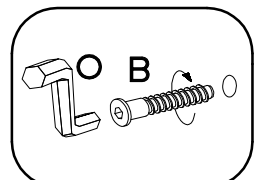
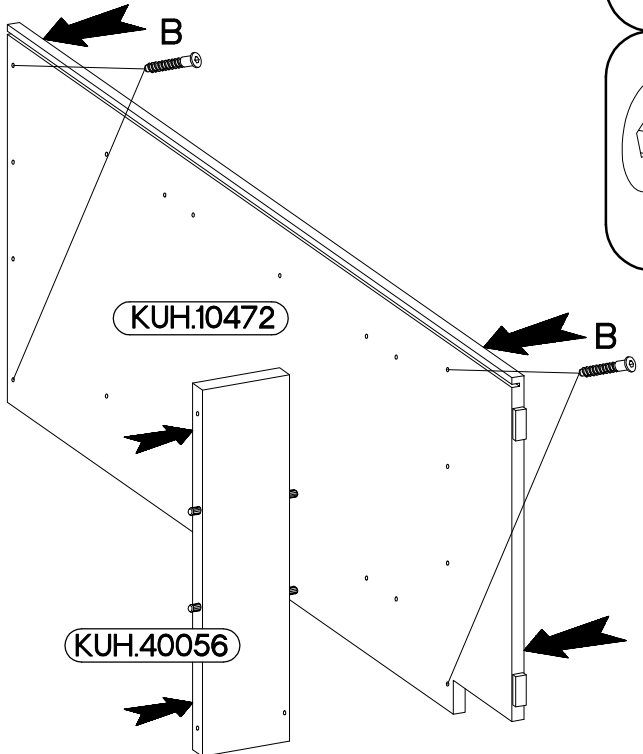
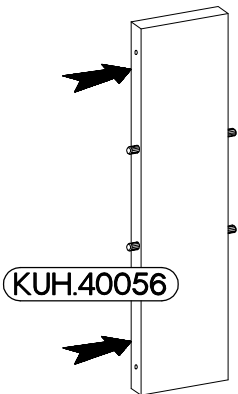
1

6.5x48x16  F2 4	+8x30mm  A 8
--	---


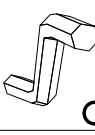
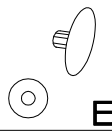


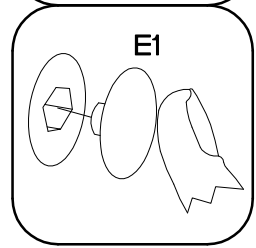
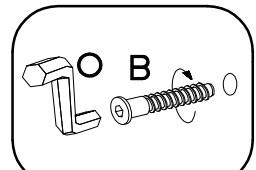
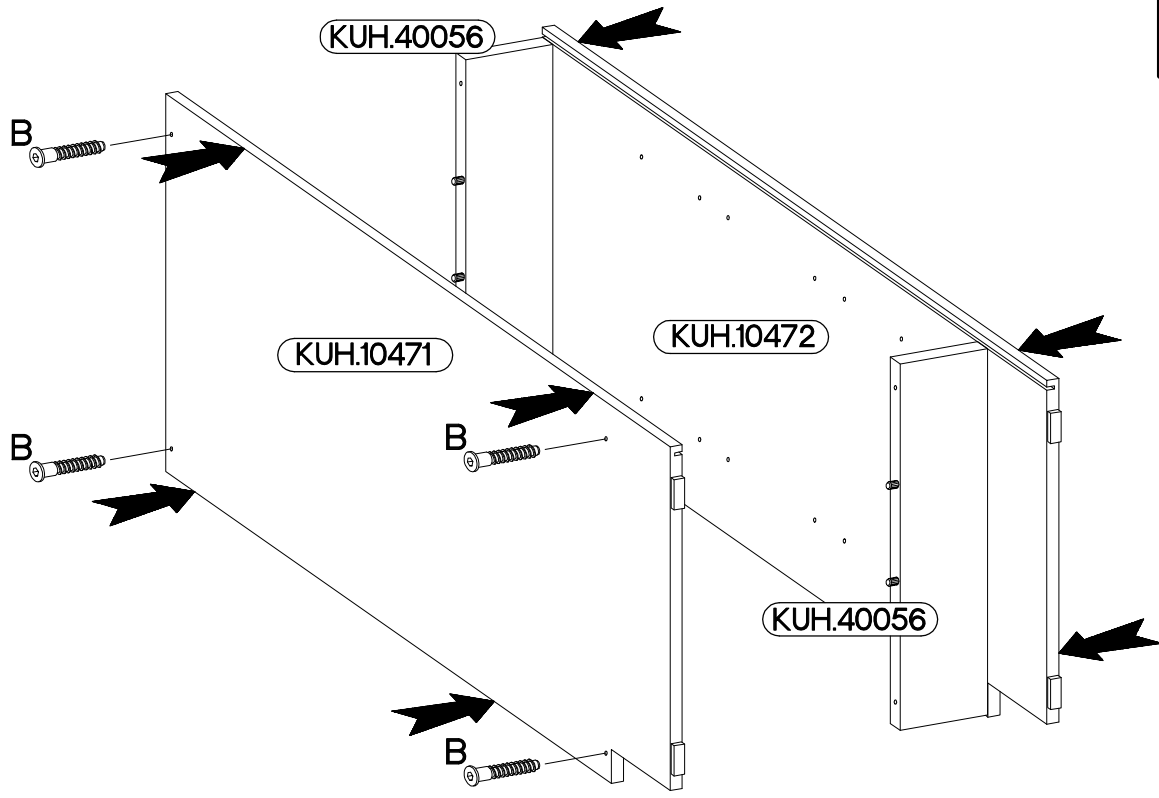
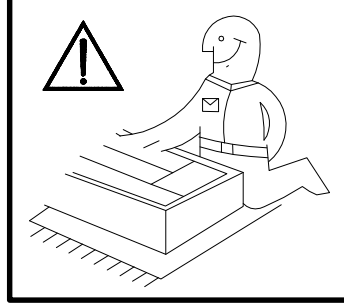
2

6,4 x 50mm  B 4	 O 1	 E1 4
---	---	--




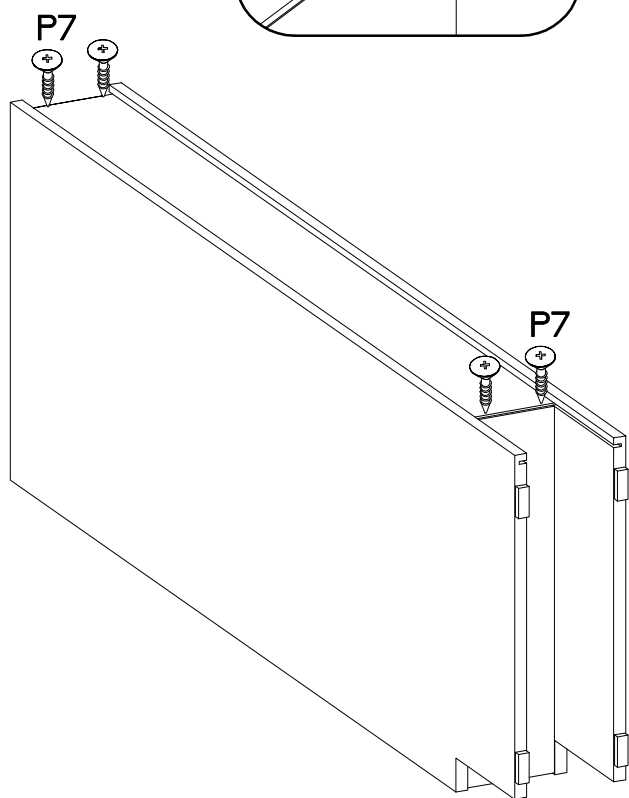
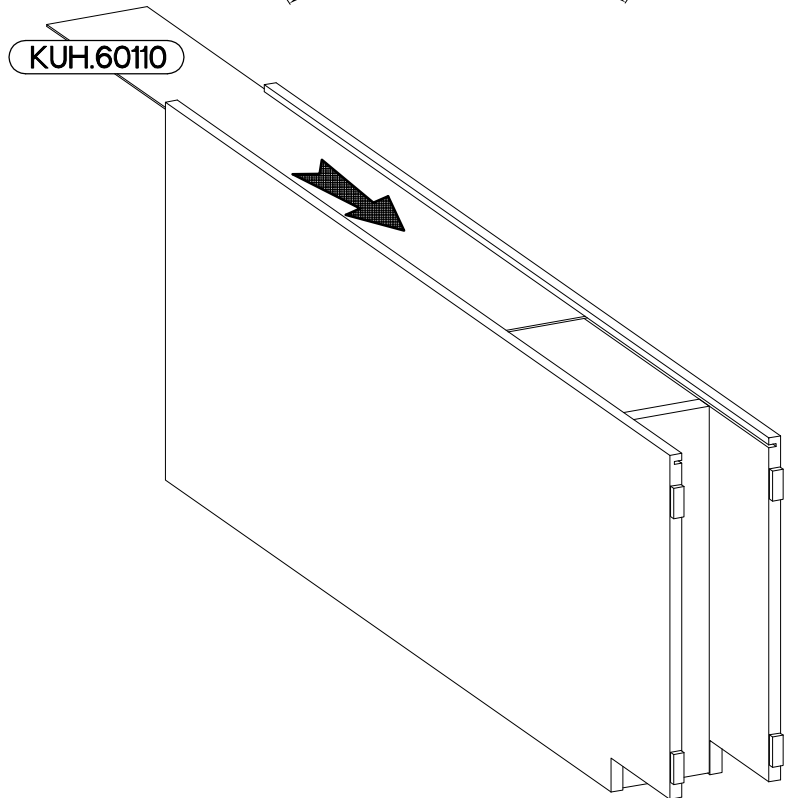
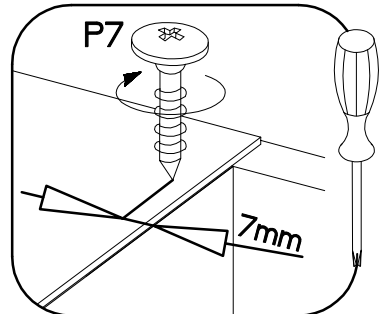
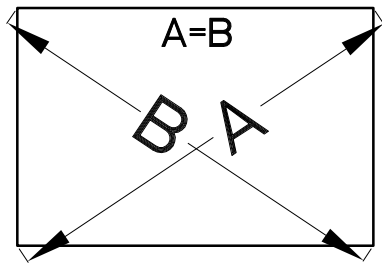
3

6,4 x 50mm		
		
<b>B</b>	<b>O</b>	<b>E1</b>
4	1	4

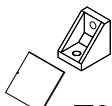



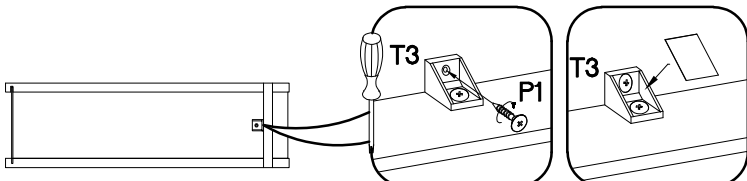
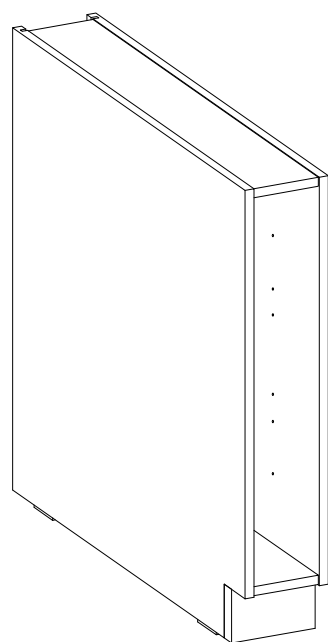
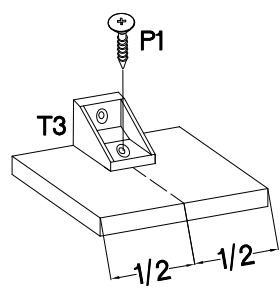
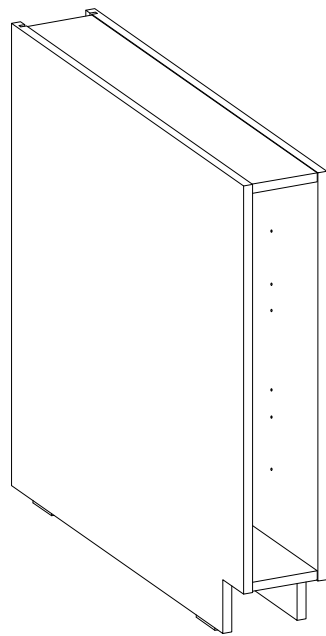
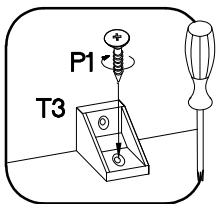
4

±3.0x20mm

<b>P7</b>
4



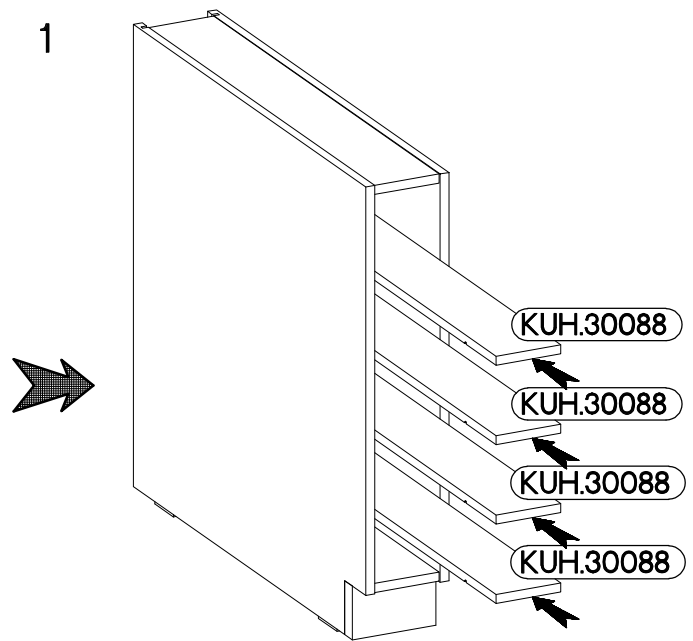
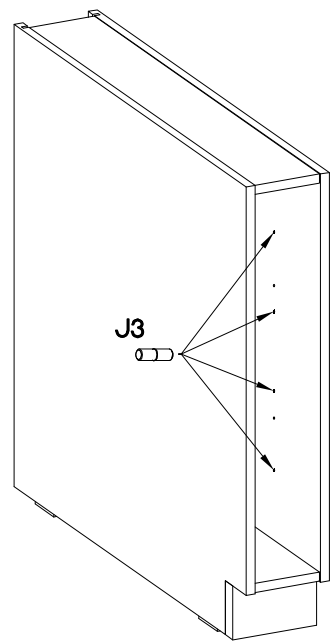
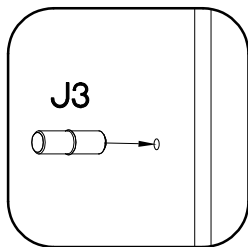
5

±4.0x16mm	
 T3	 P1
1	2



6

±5/16mm	
J3	
16	



7

±5/16mm	
J3	
8	

