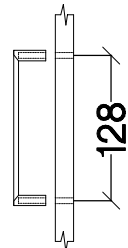
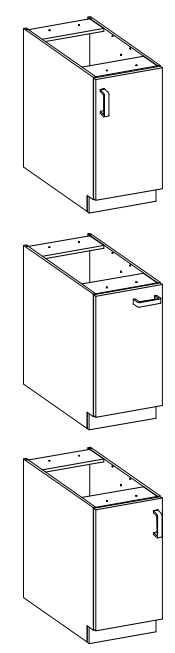
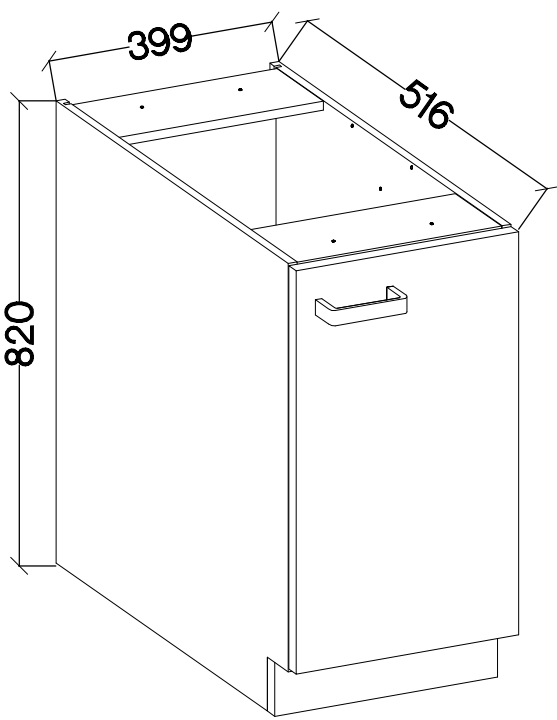
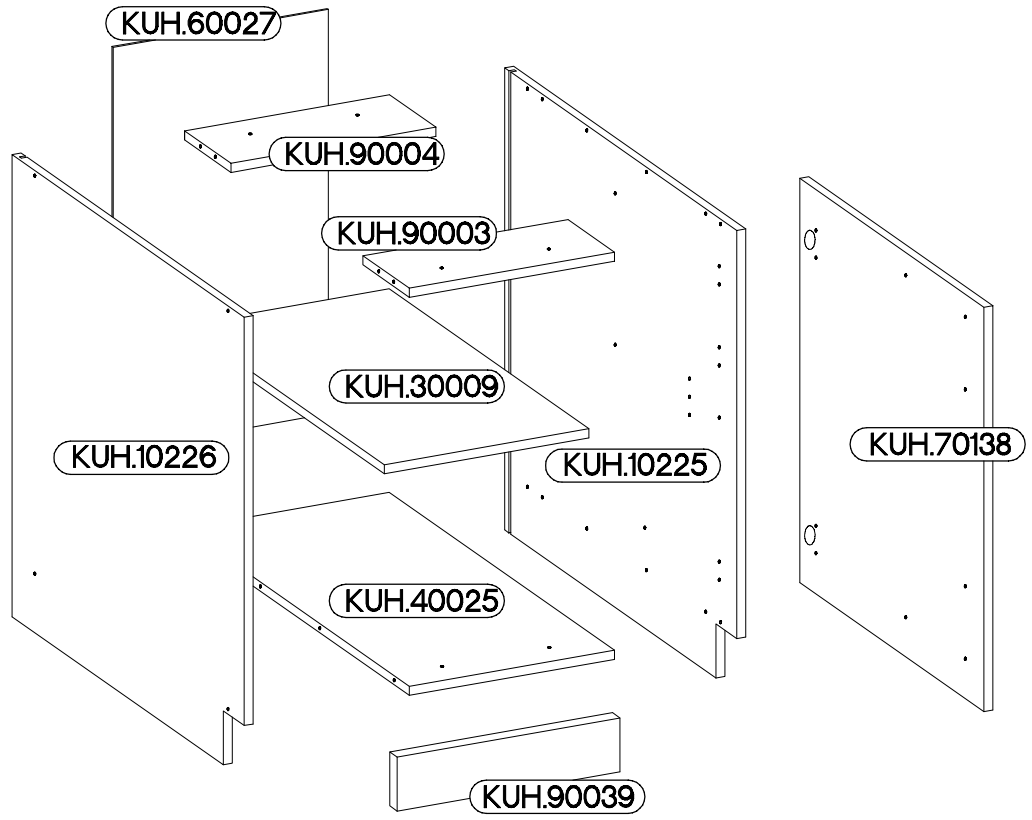
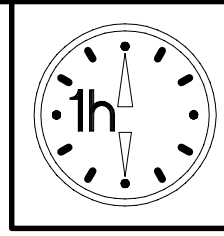

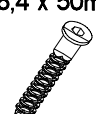


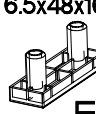
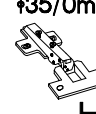

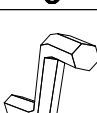




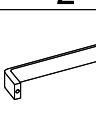
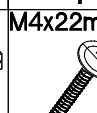


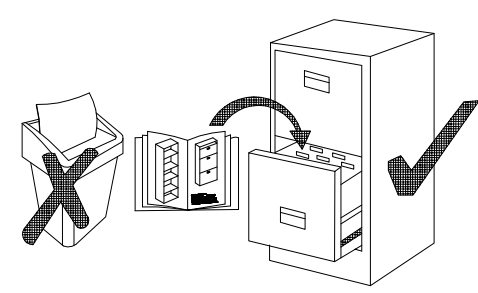
40 D 1F BB



max. 10kg
 KUH.30009
 KUH.40025

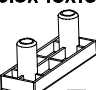
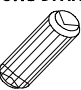
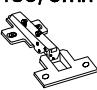



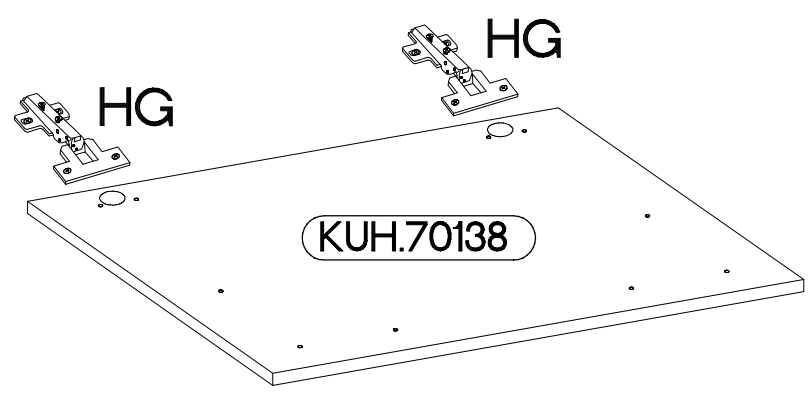
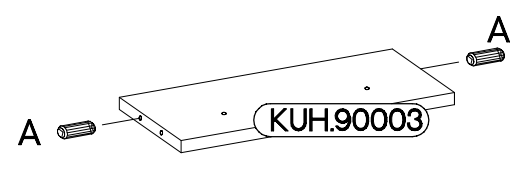
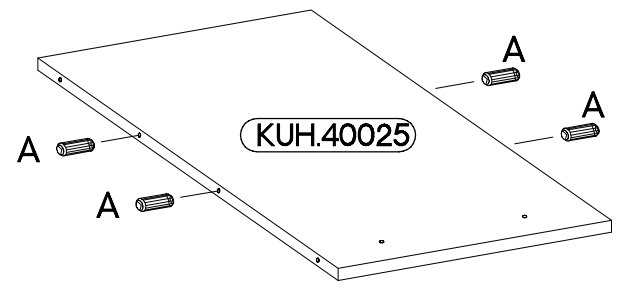
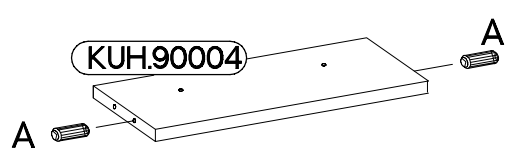
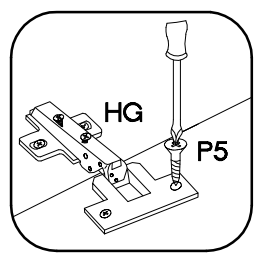
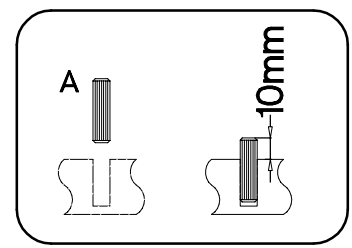
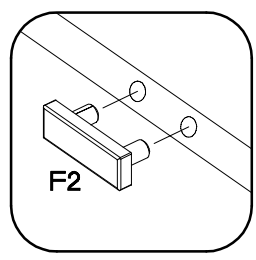
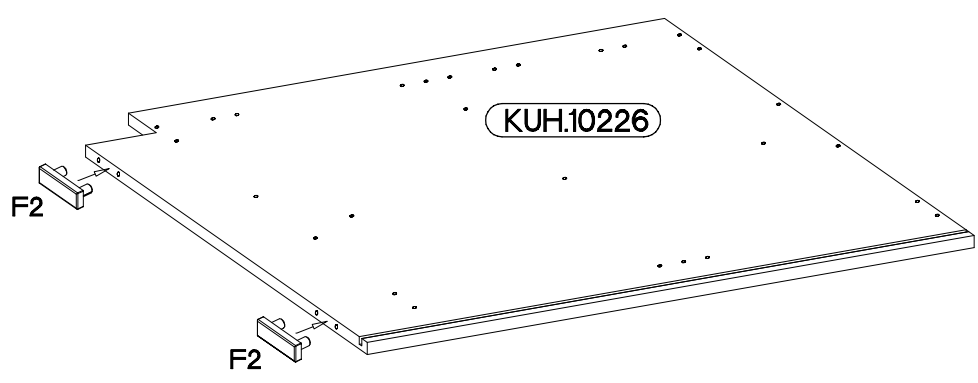
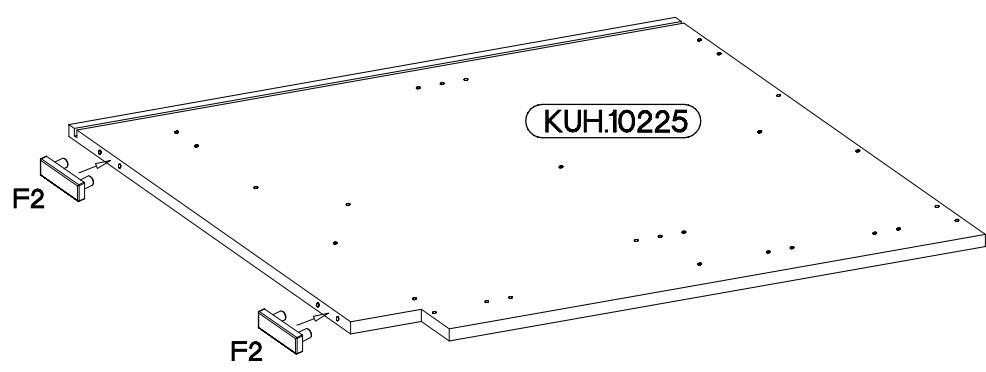
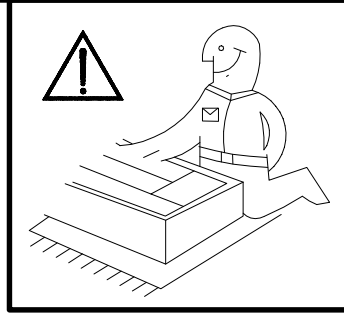
 A	 B	 E1	 E9	 F2	 HG	 J
8	8	8	2	4	2	4
 O	 P4	 P5	 P7	 R3	 S23	 U
1	2	4	8-10	4	1	2



ISM-KUH-00924

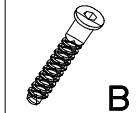
1

6.5x48x16  F2 4	±8x30mm  A 8	±35/0mm  HG 2	±3.5x13mm  P5 4
--	---	--	--



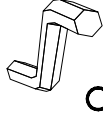
2

6,4 x 50mm



B

4



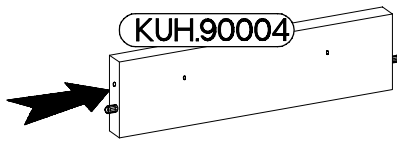
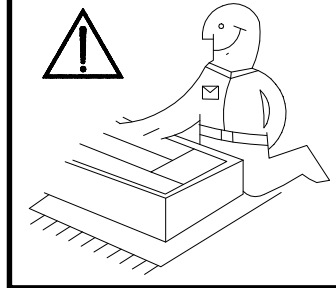
O

1

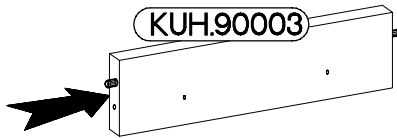


E1

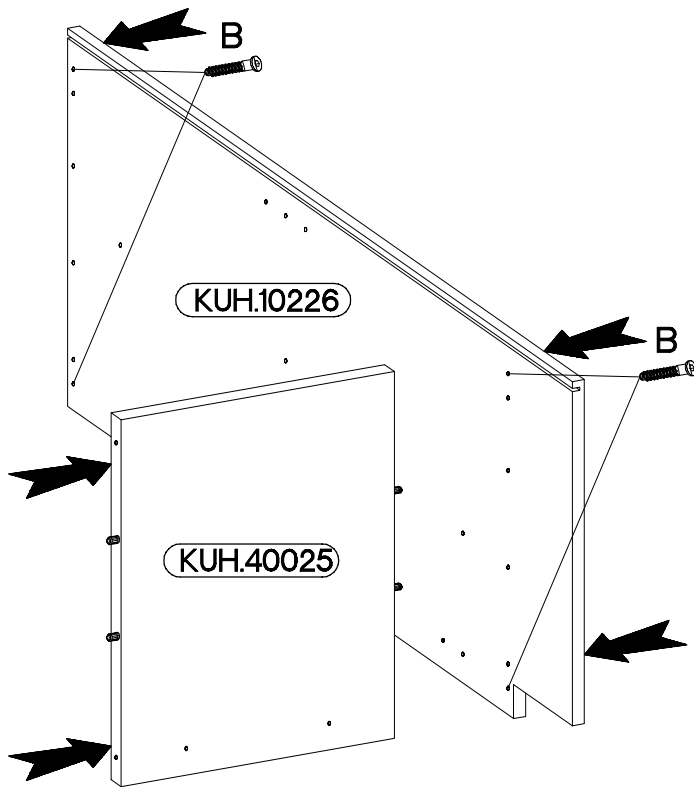
4



KUH.90004

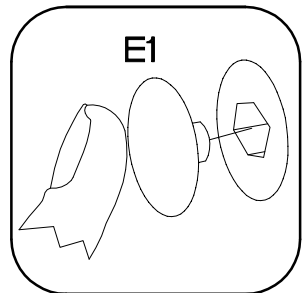


KUH.90003

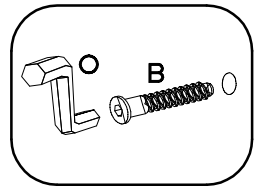


KUH.10226

KUH.40025



E1

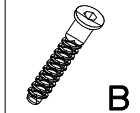


O

B

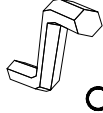
3

6,4 x 50mm



B

4



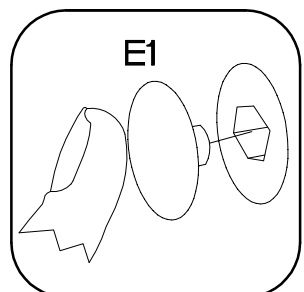
O

1

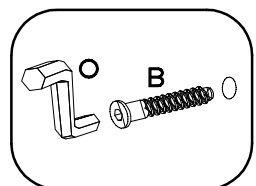


E1

4

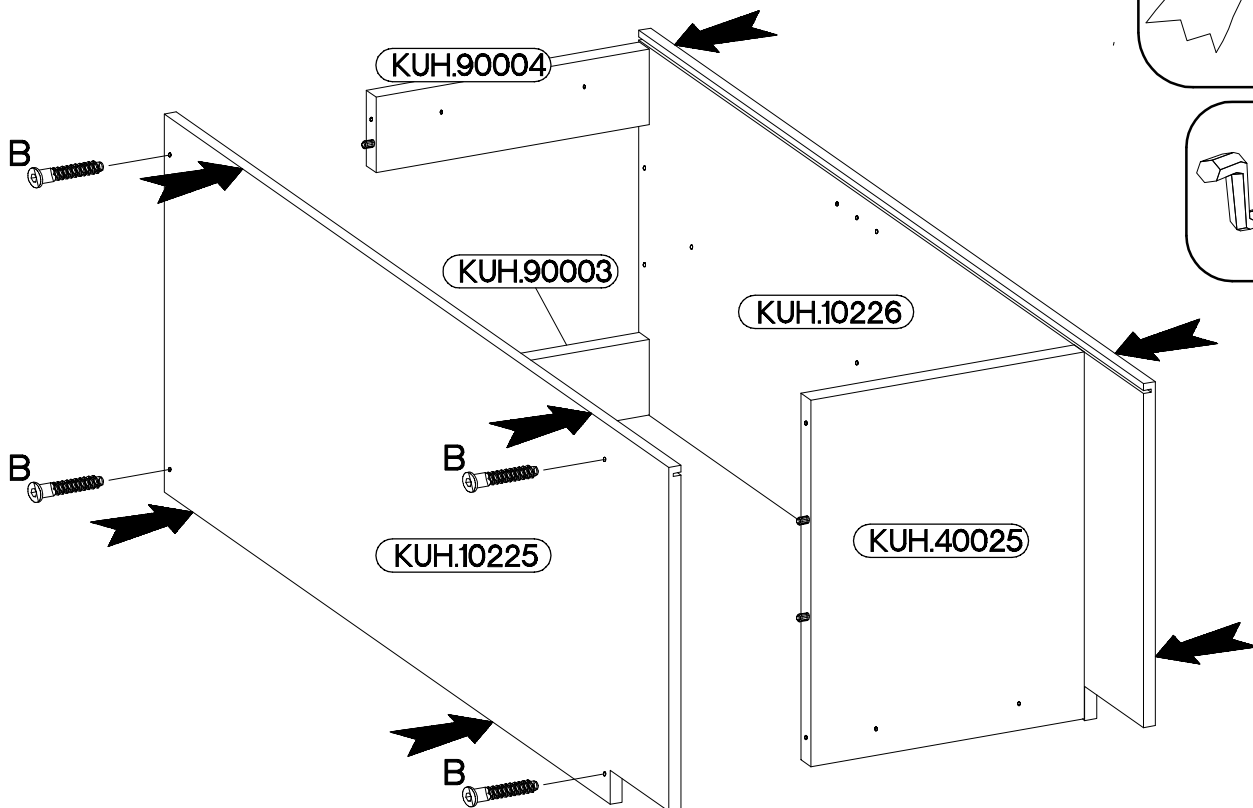


E1



O

B



KUH.90004

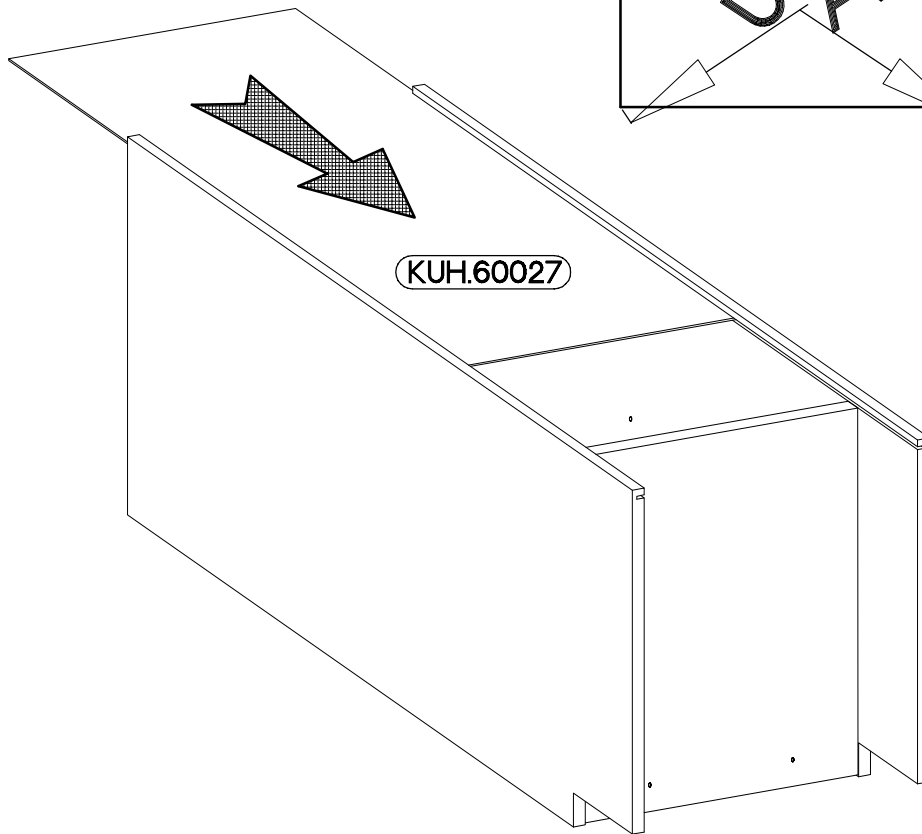
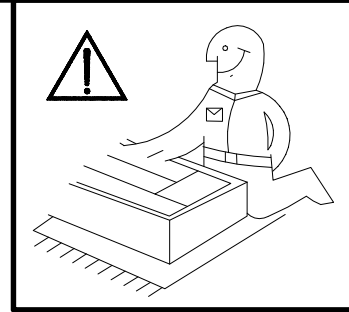
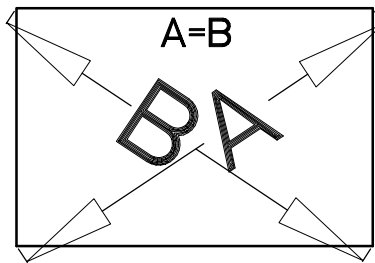
KUH.90003

KUH.10226

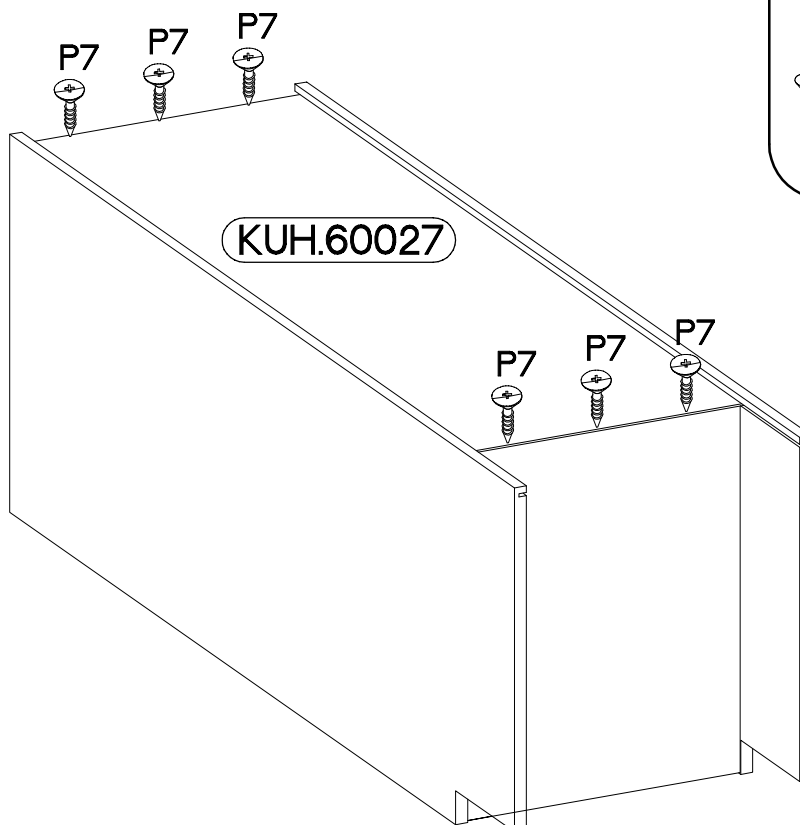
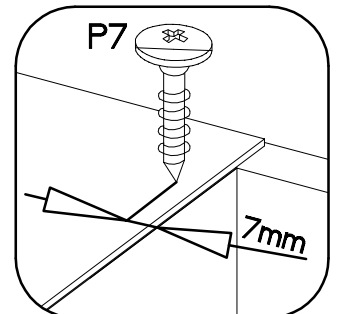
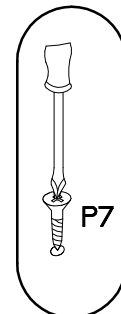
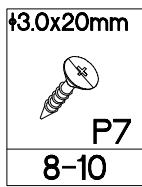
KUH.10225

KUH.40025



4

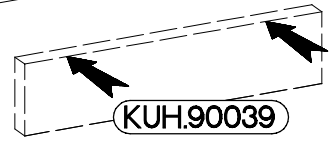
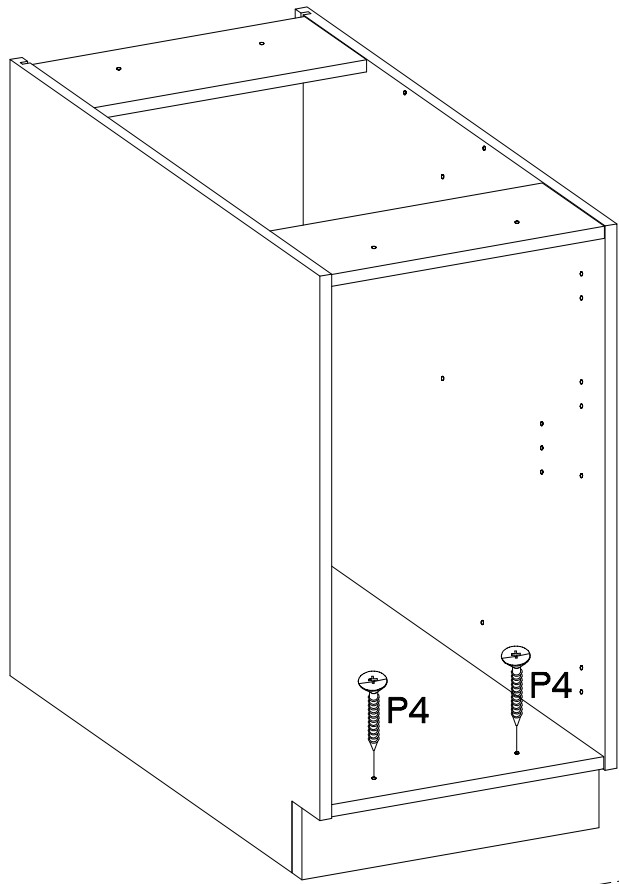
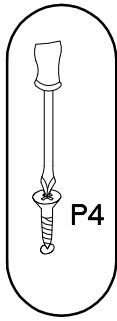
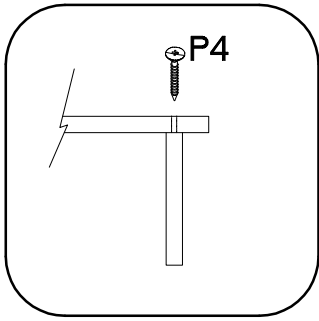


5

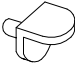


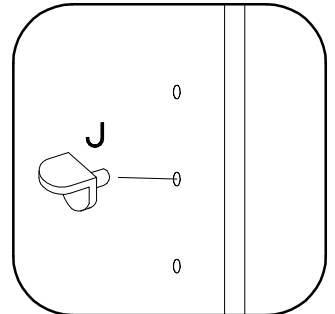
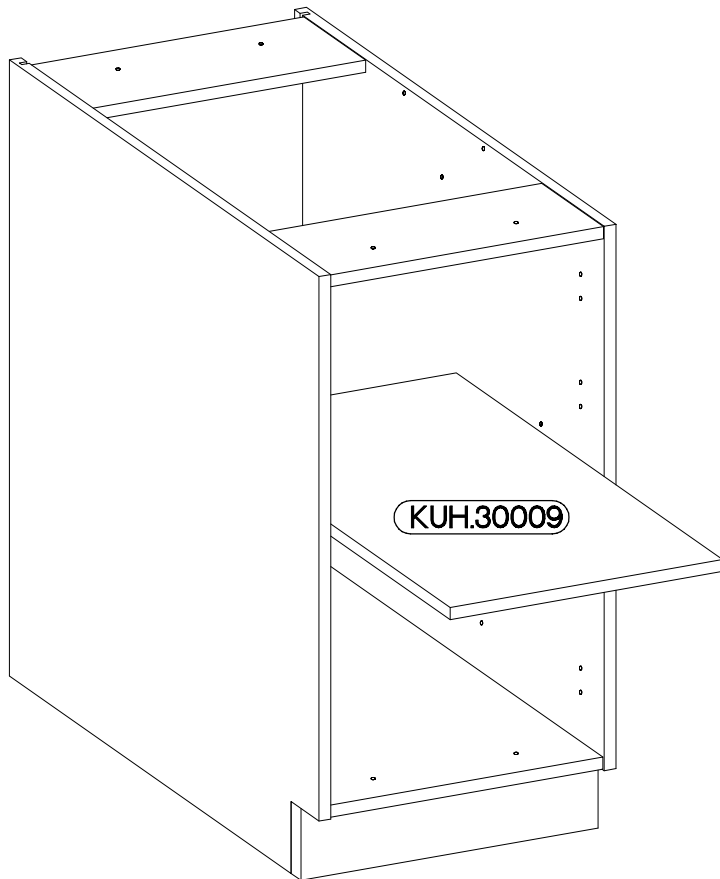
6

±4.0x45mm	
	E9
2	2



7

±5/19mm	
J	
4	



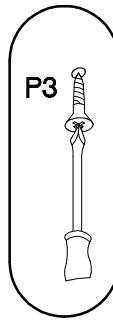
8

4.0x35mm

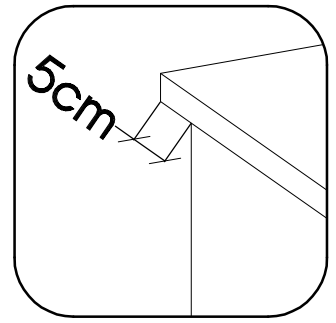


R3

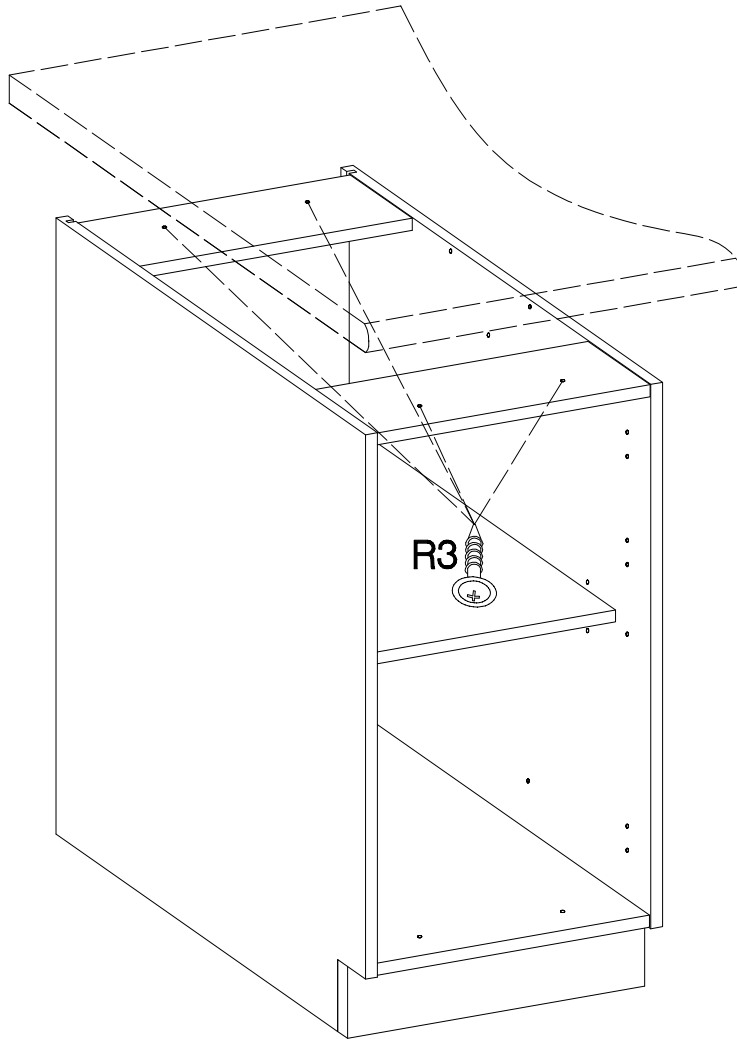
4



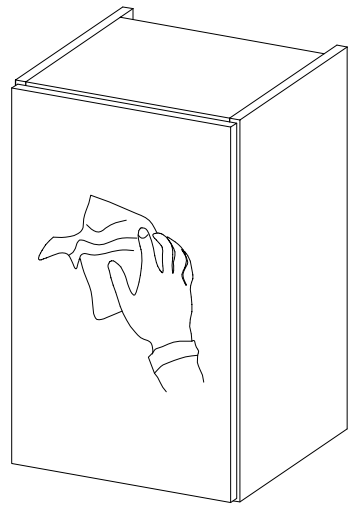
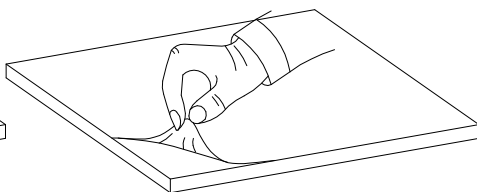
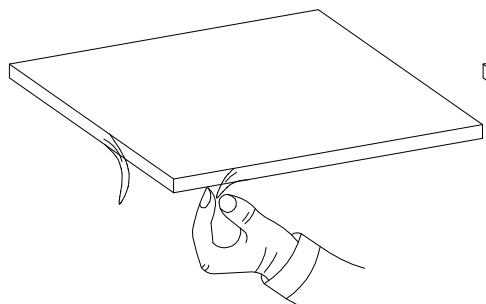
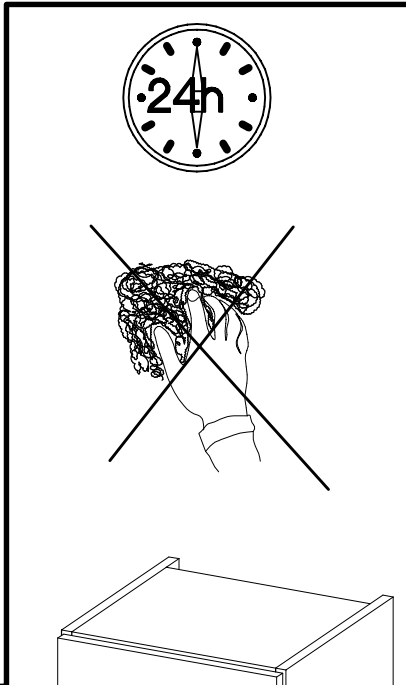
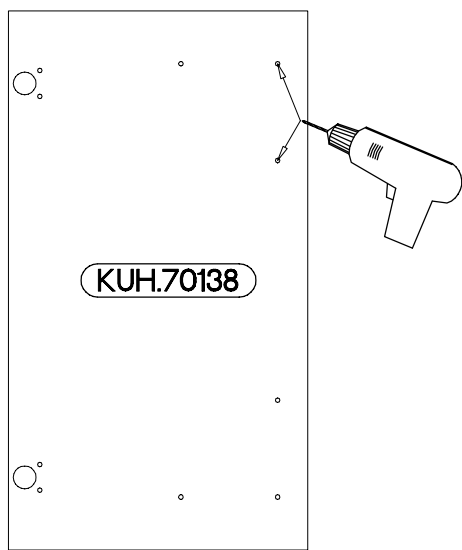
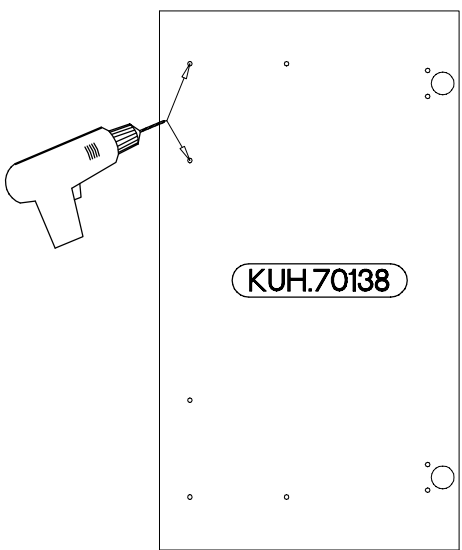
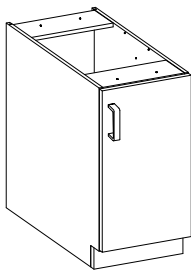
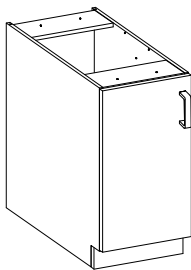
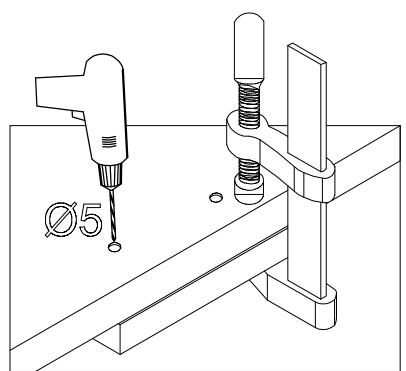
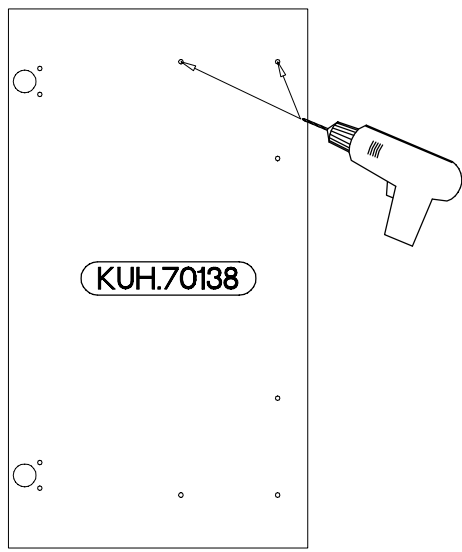
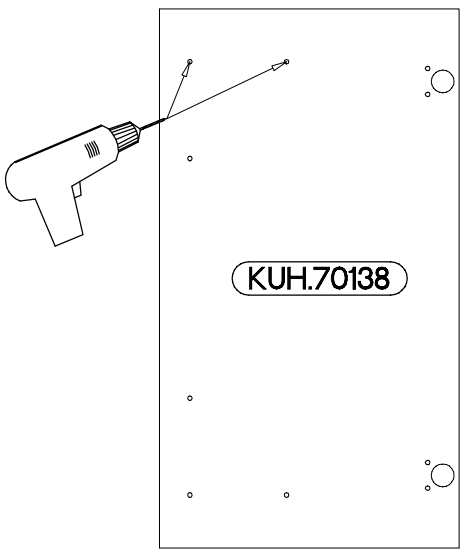
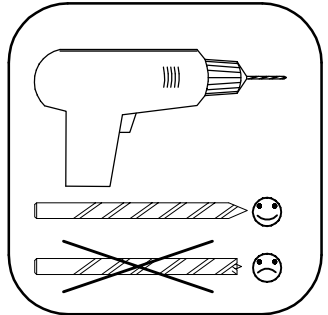
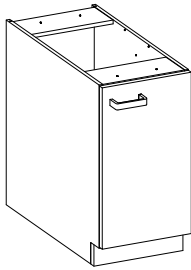
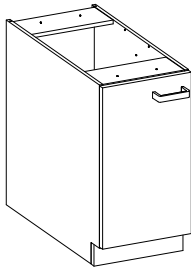
P3


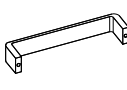


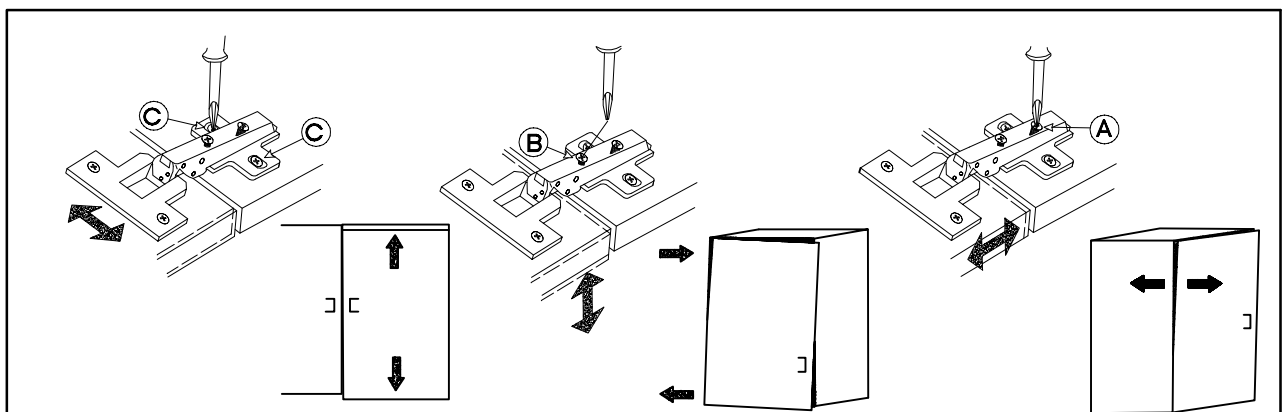
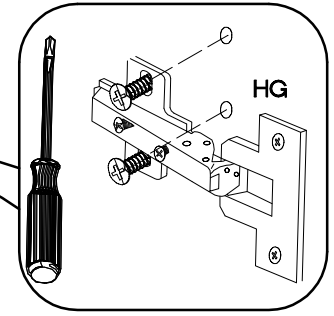
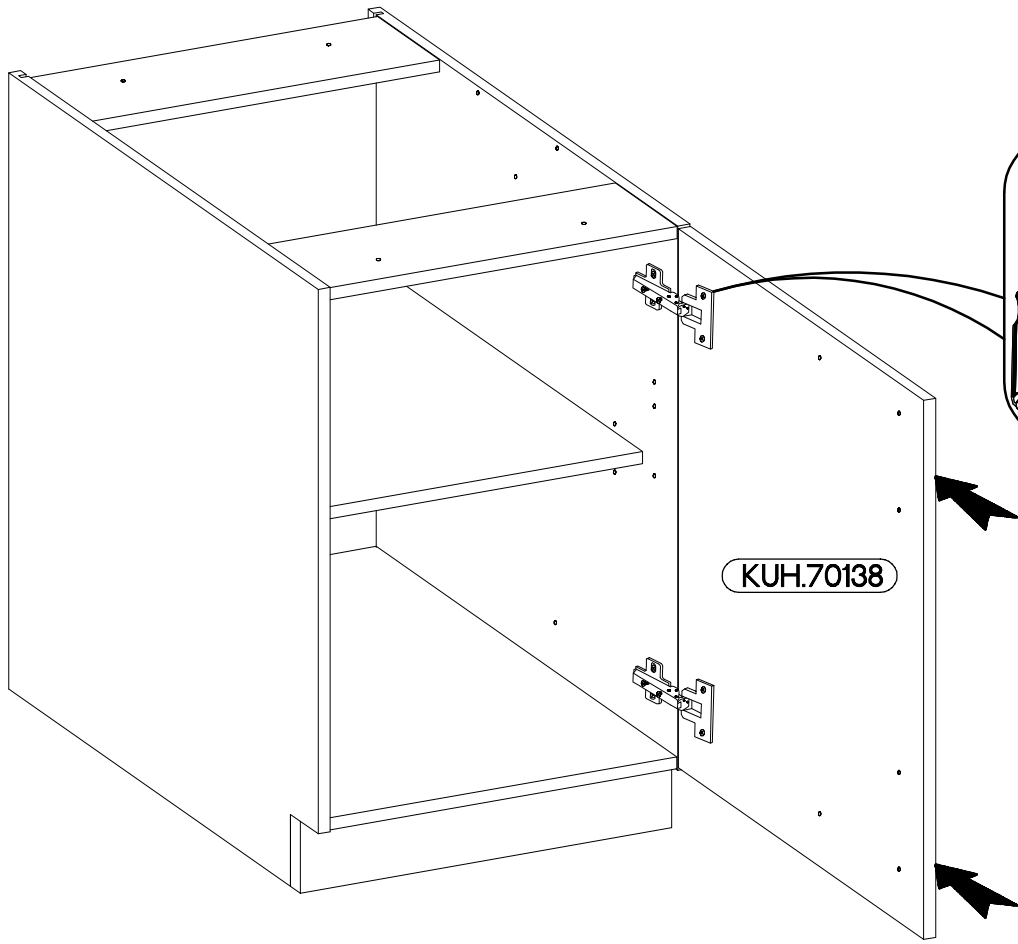
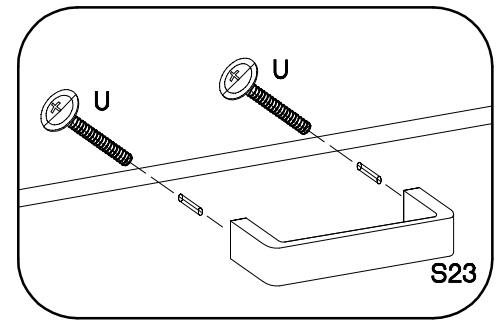
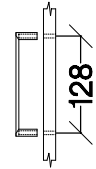
5cm

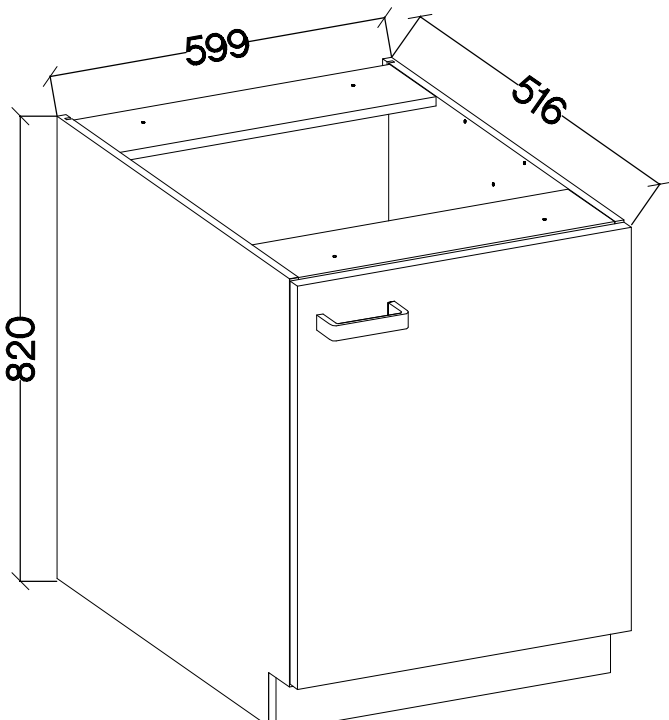
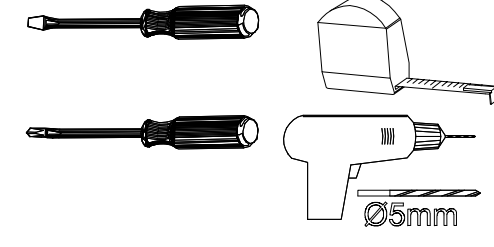


R3

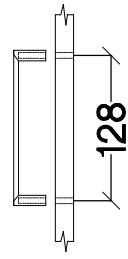
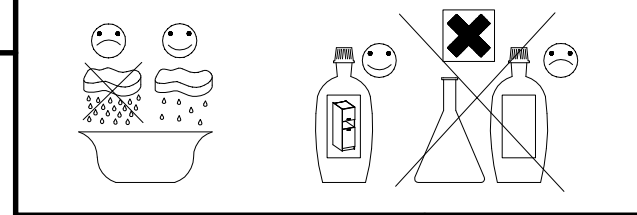
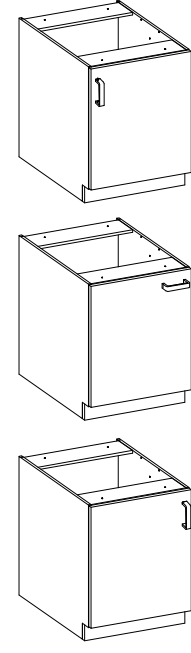


M4x22mm		
2	U	S23
2		1



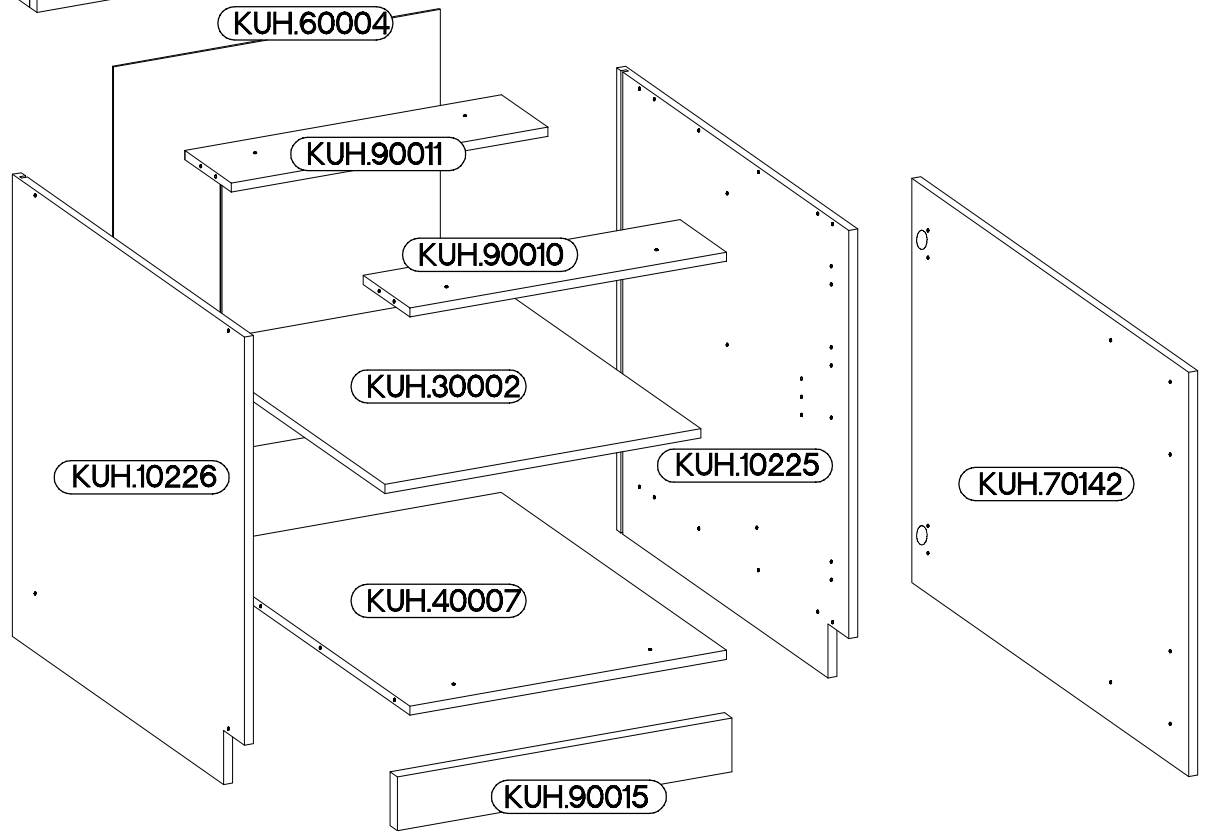
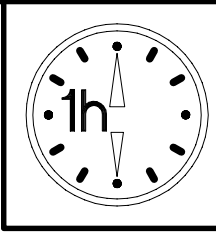







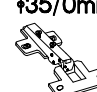

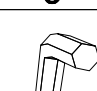



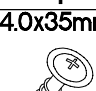
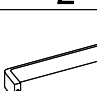

60 D 1F BB

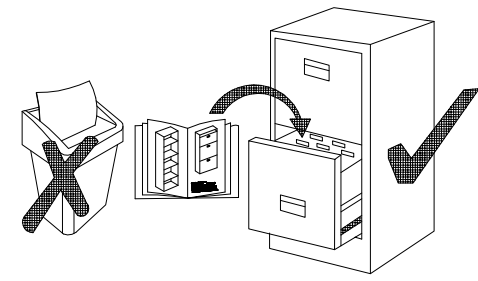


max.
10kg

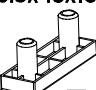
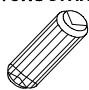


KUH.30002
KUH.40007

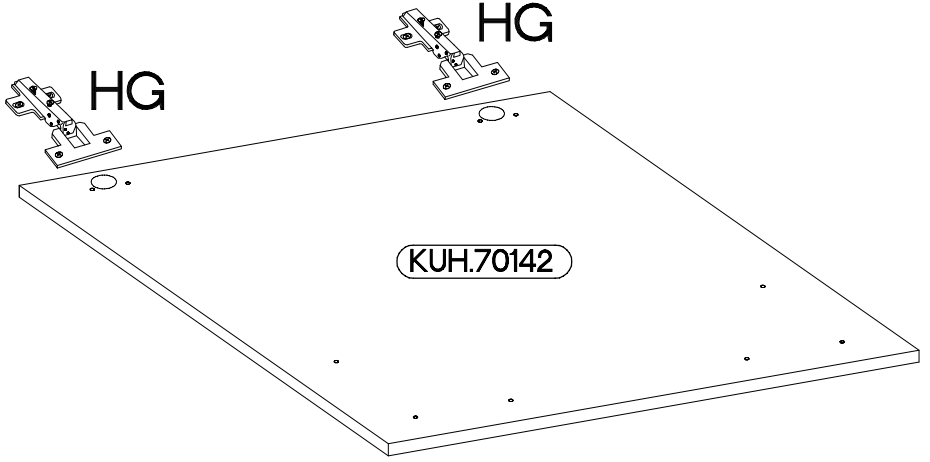
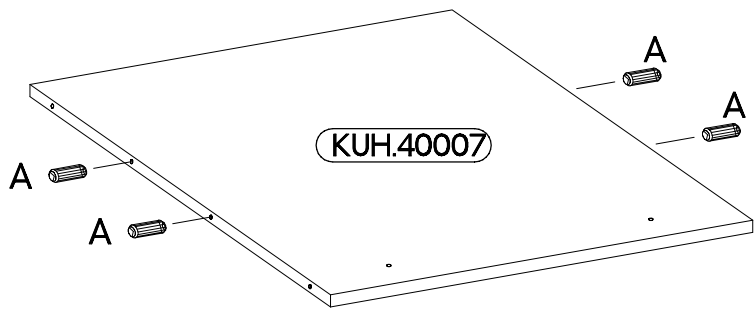
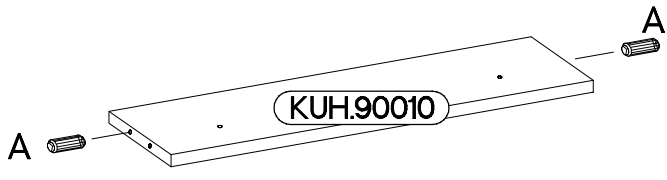
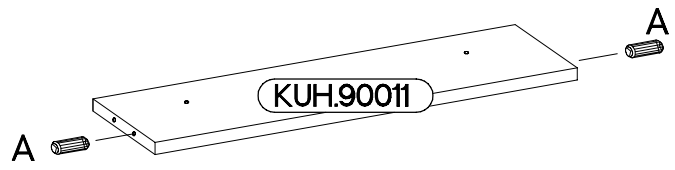
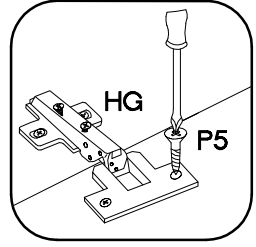
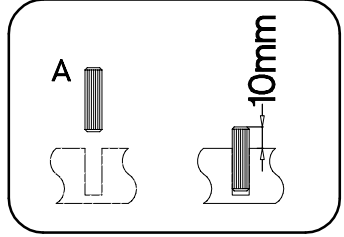
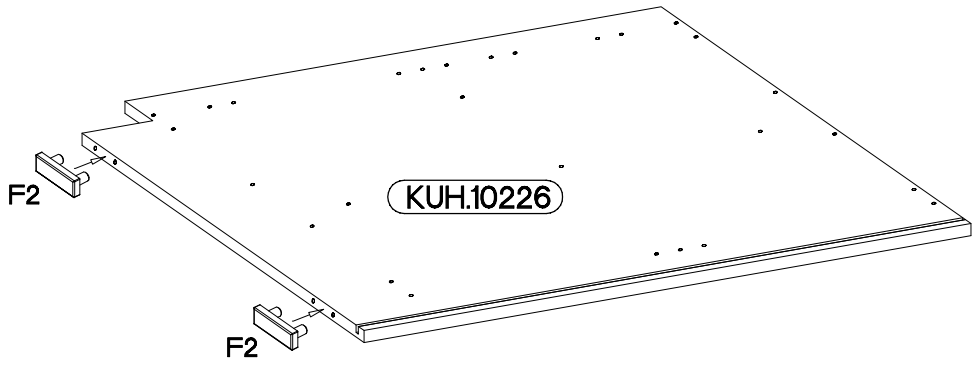
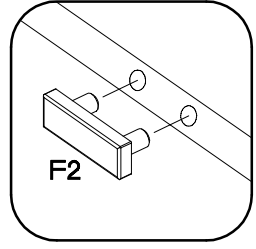
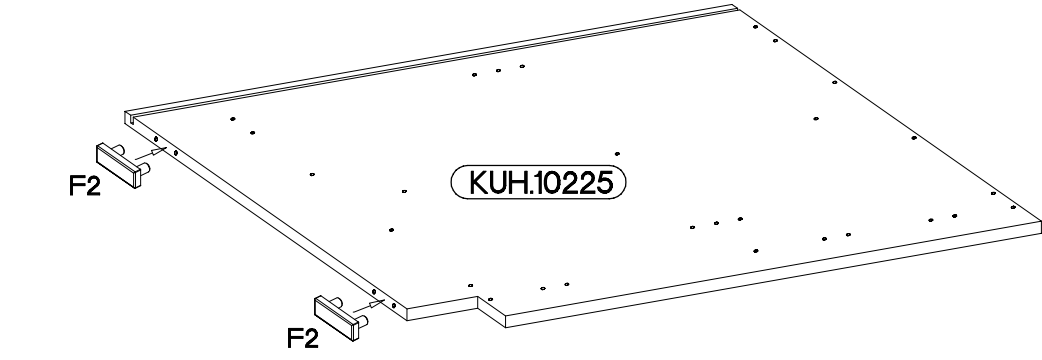
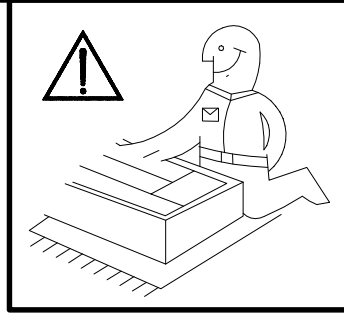


 A	 B	 E1	 E9	 F2	 HG	 J
8	8	8	2	4	2	4
 O	 P4	 P5	 P7	 R3	 S23	 U
1	2	4	8-10	4	1	2



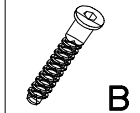
ISM-KUH-00928

6.5x48x16	±8x30mm	±35/0mm	±3.5x13mm
			
F2	A	HG	P5
4	8	2	4



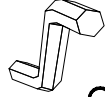
2

6,4 x 50mm



B

4



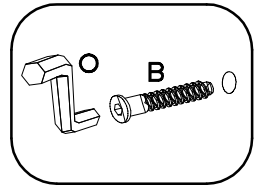
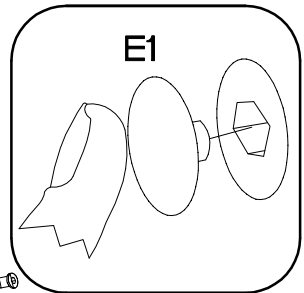
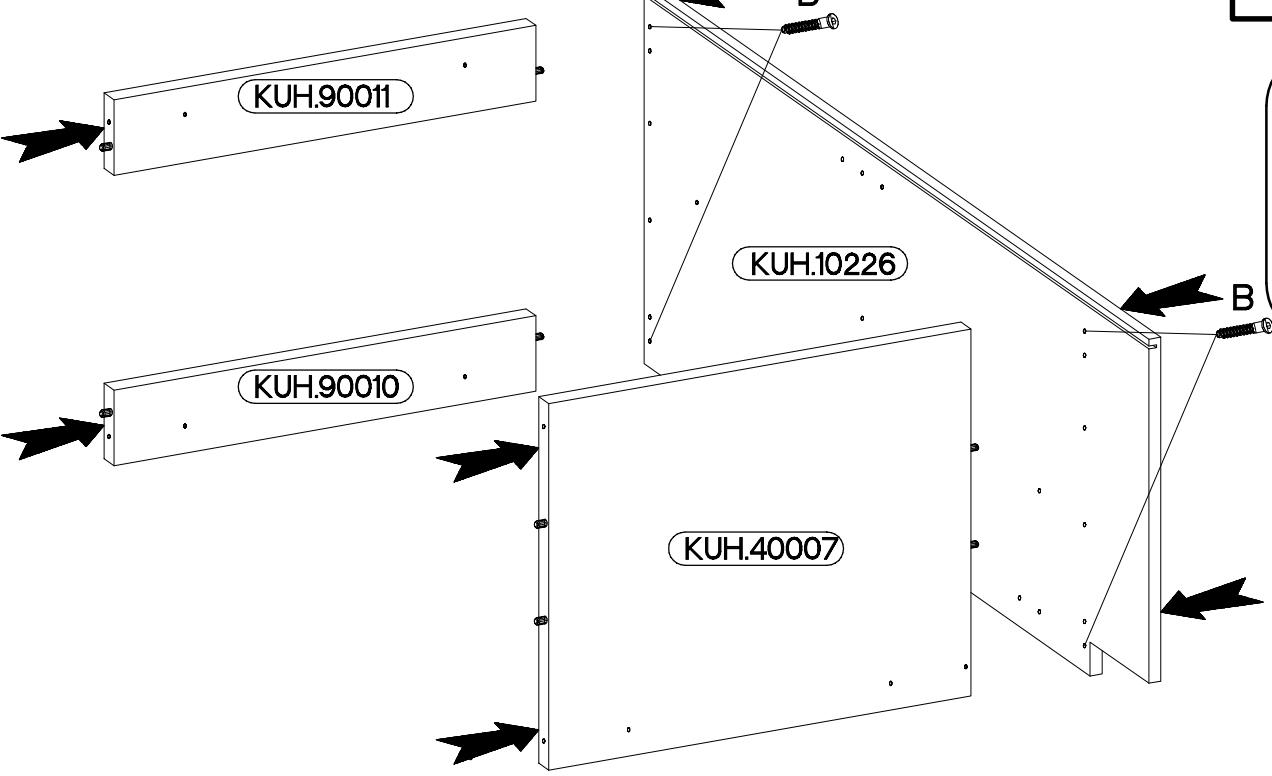
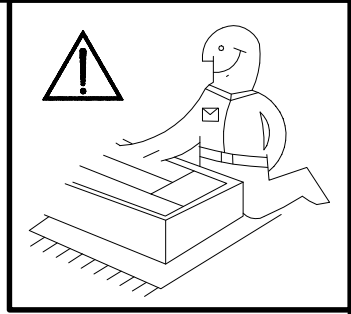
O

1



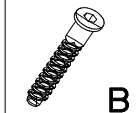
E1

4



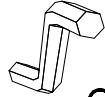
3

6,4 x 50mm



B

4



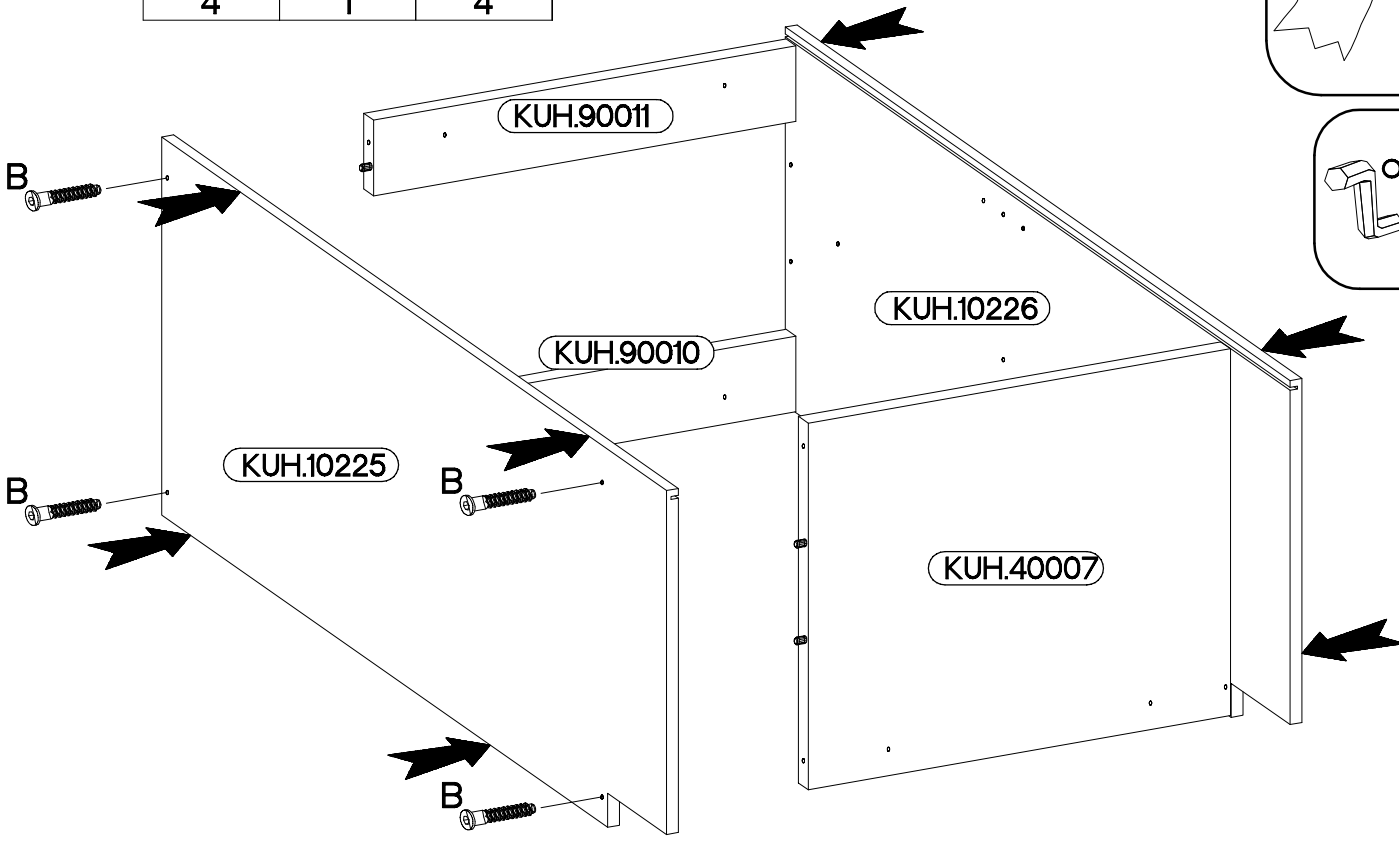
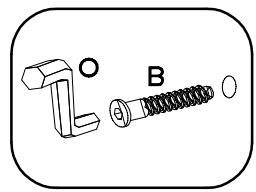
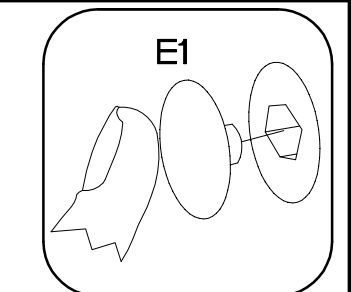
O

1

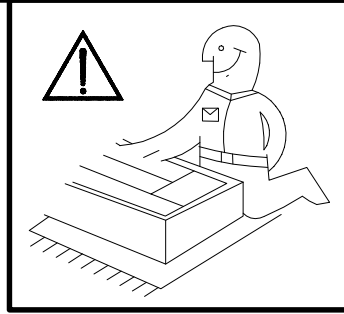
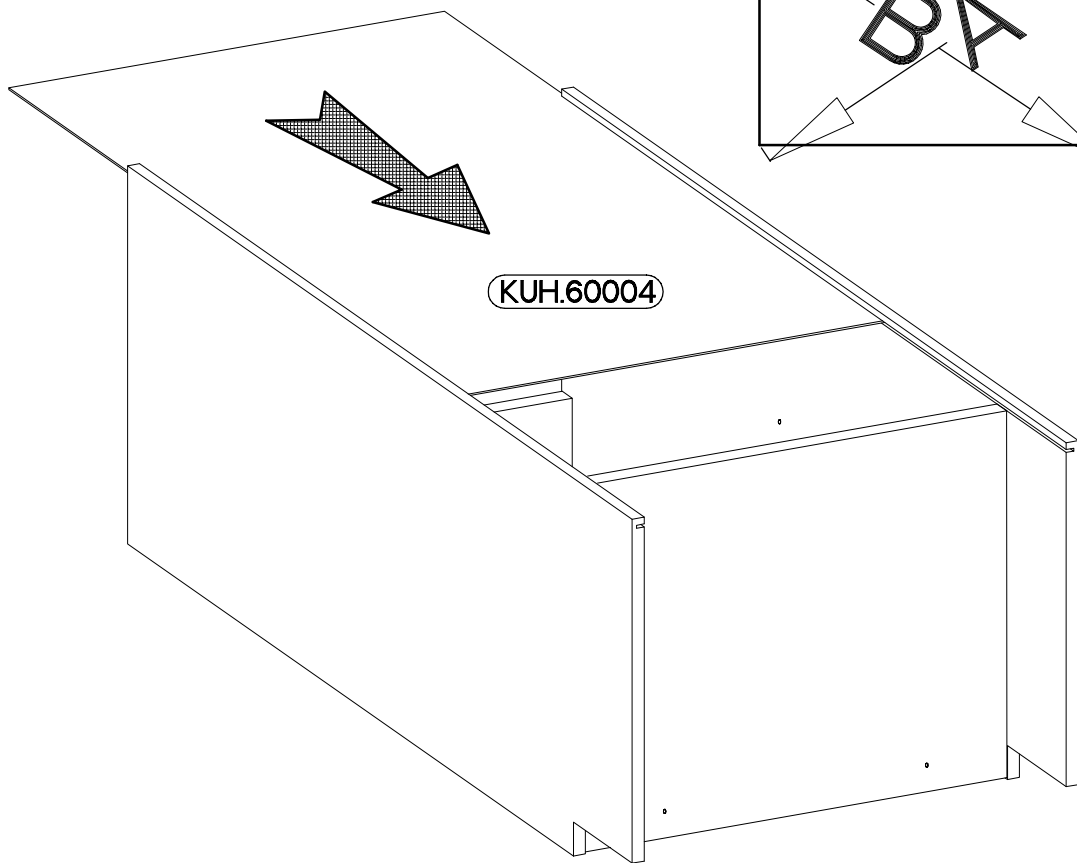


E1


4

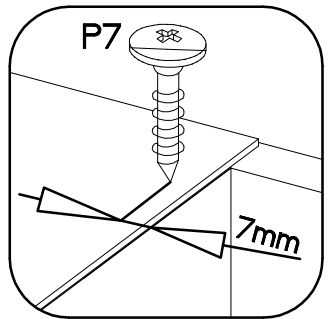
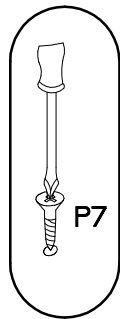
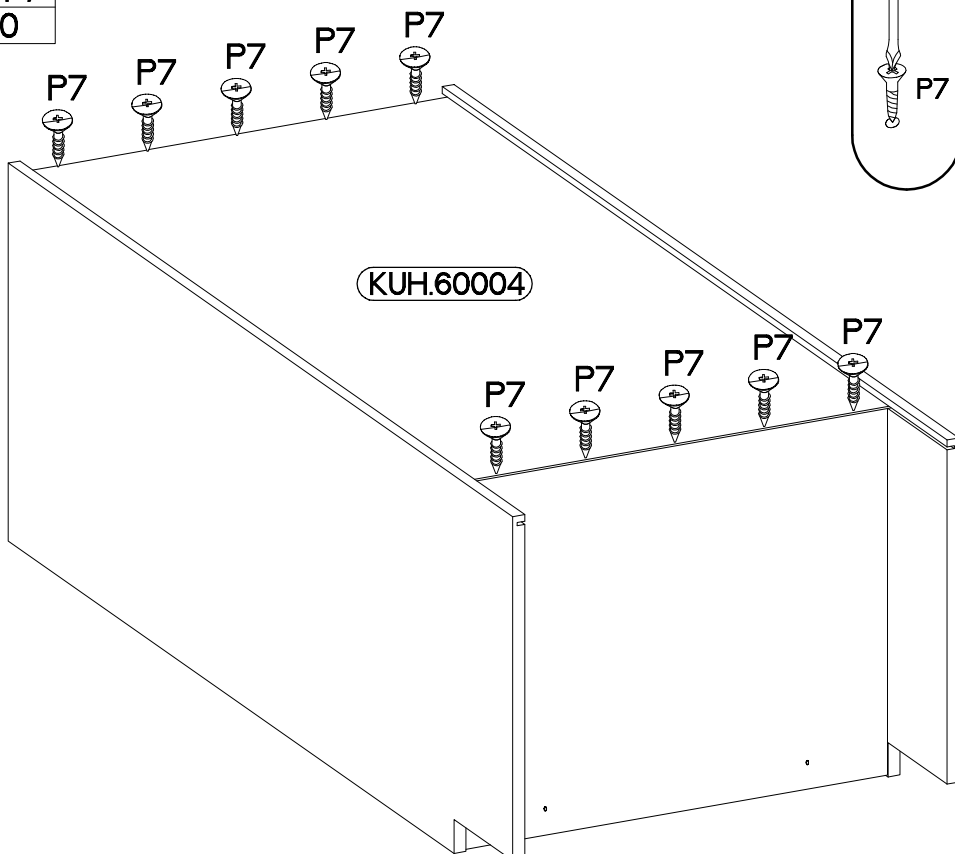


4



5

$\varnothing 3.0 \times 20 \text{mm}$

 P7
 8-10



6

±4.0x45mm



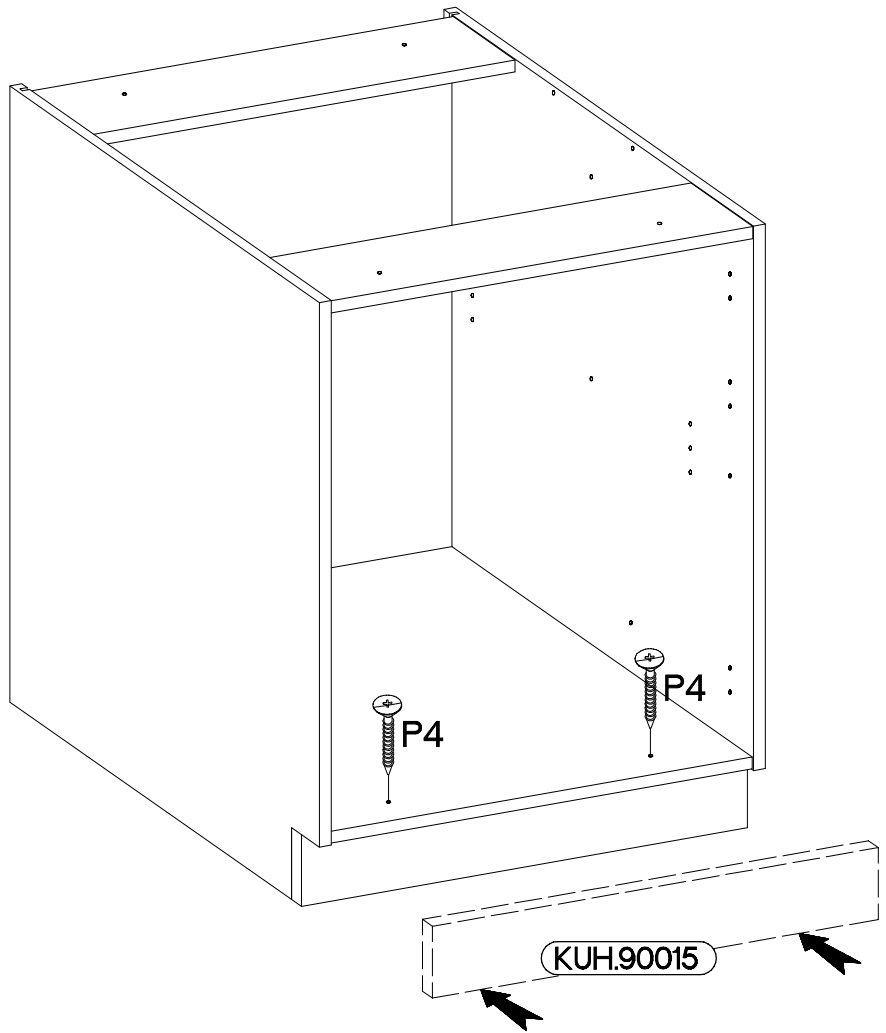
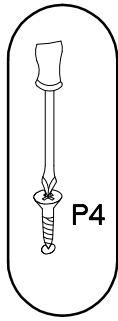
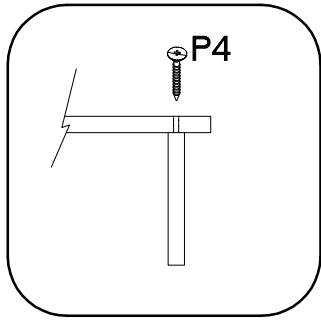
P4

2



E9

2



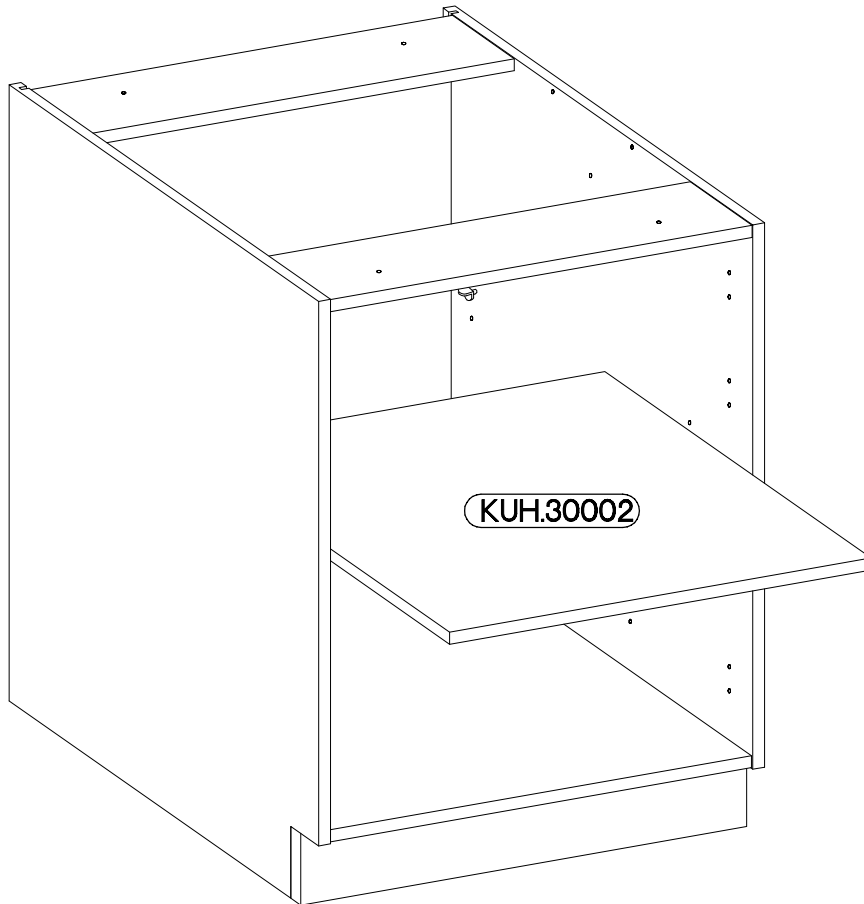
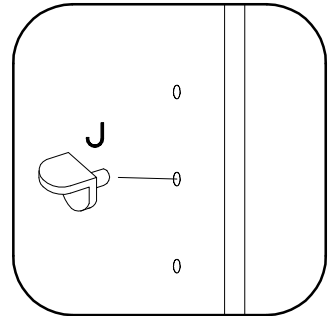
7

±5/19mm



J

4



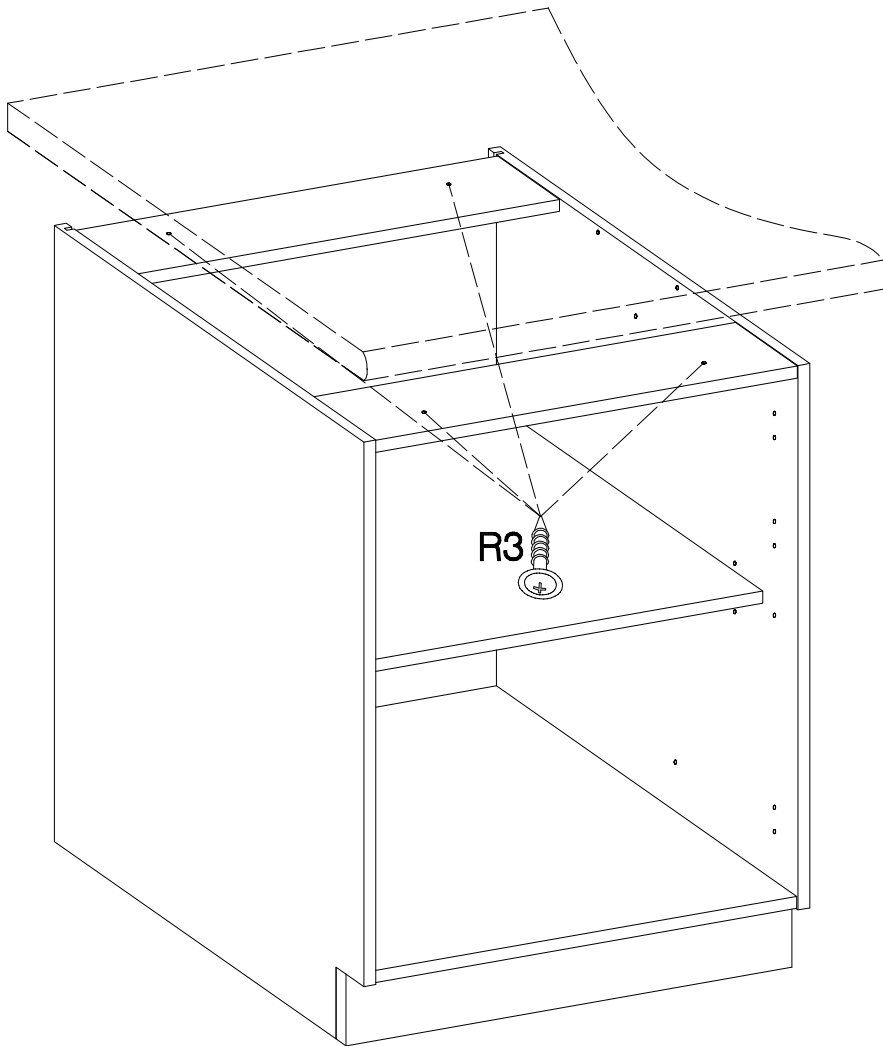
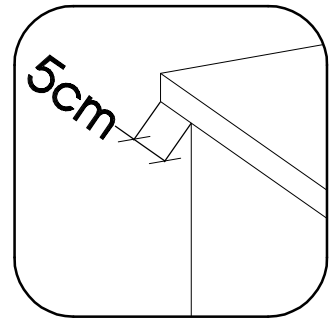
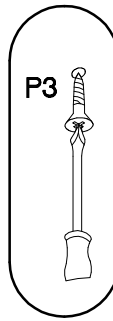
8

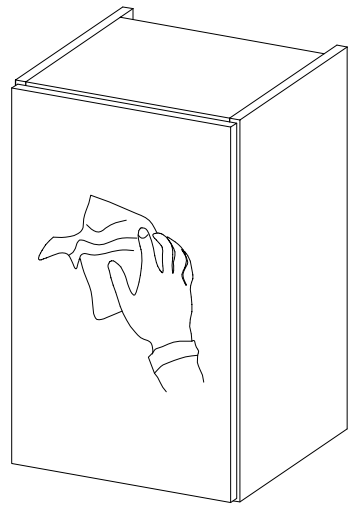
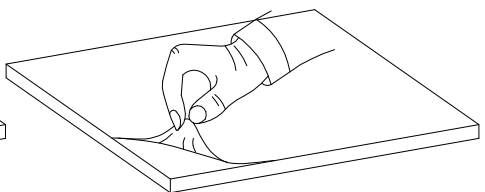
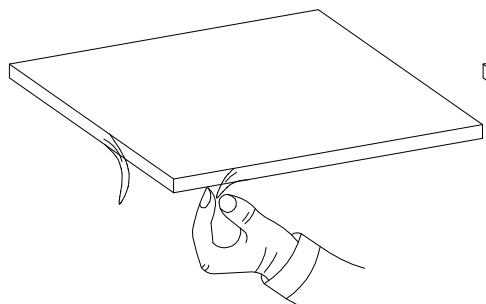
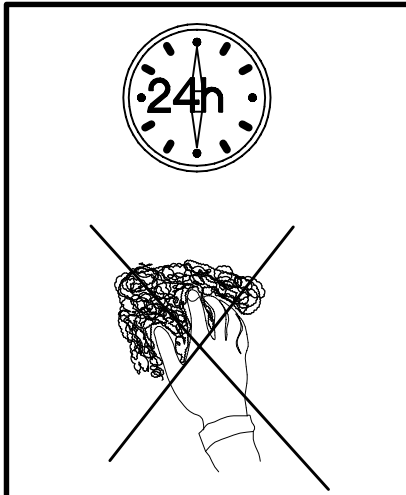
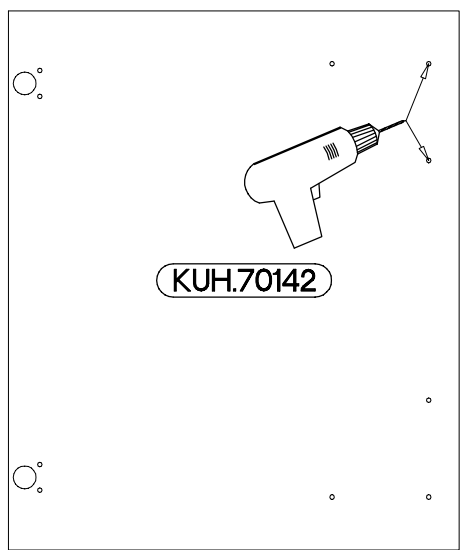
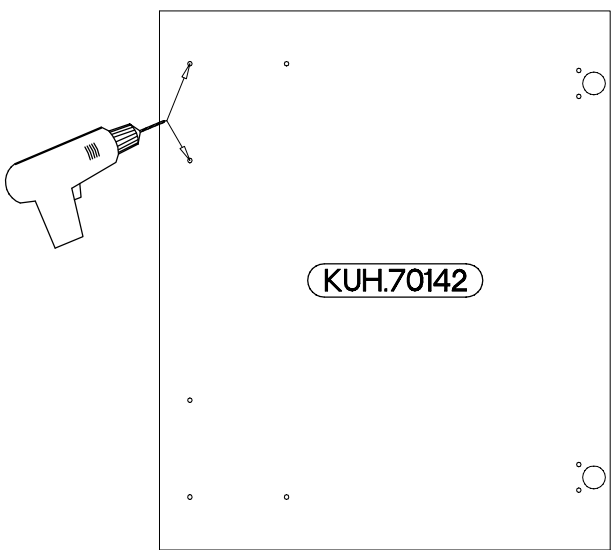
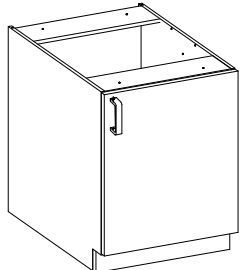
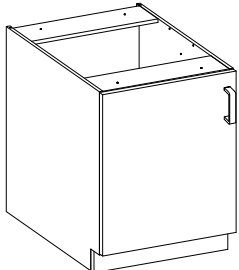
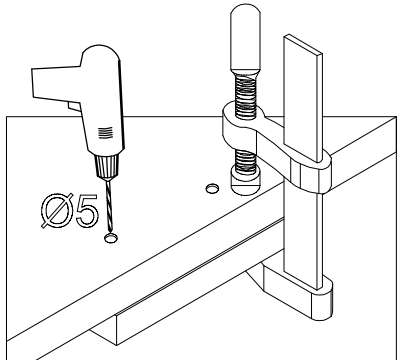
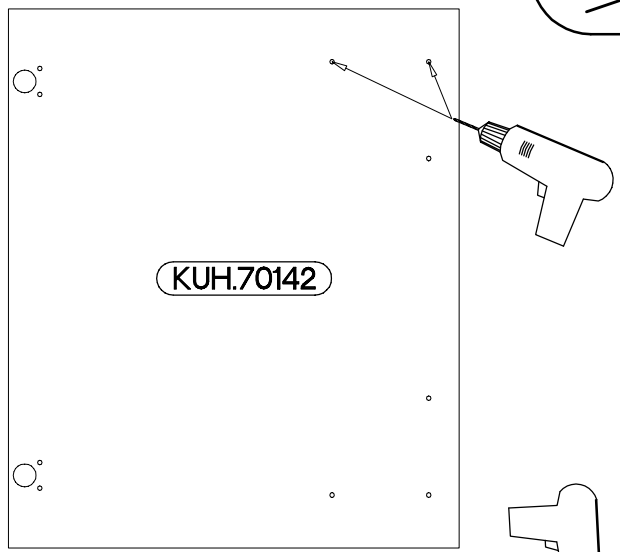
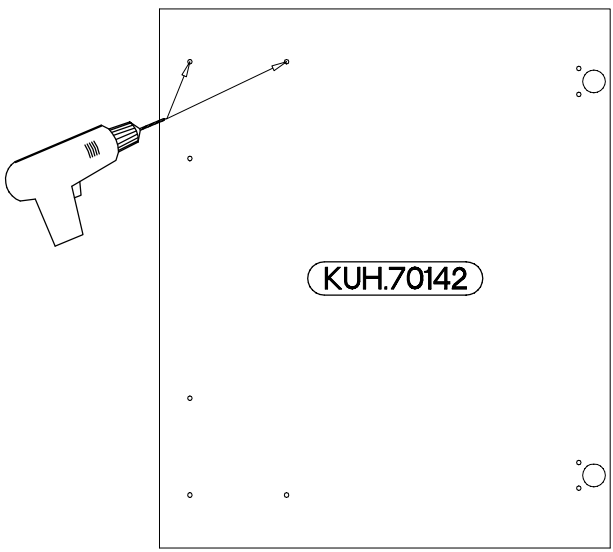
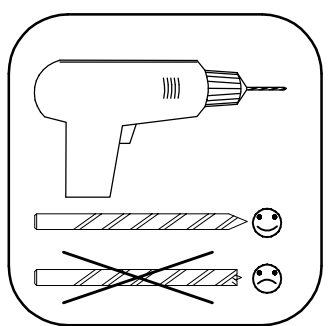
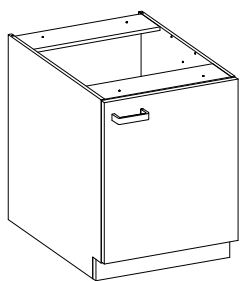
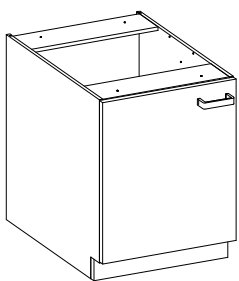
4.0x35mm


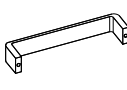


R3

4





M4x22mm	
	
U	S23
2	1

