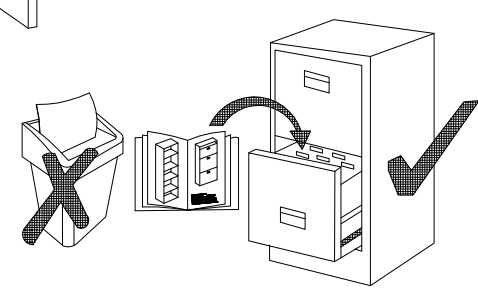
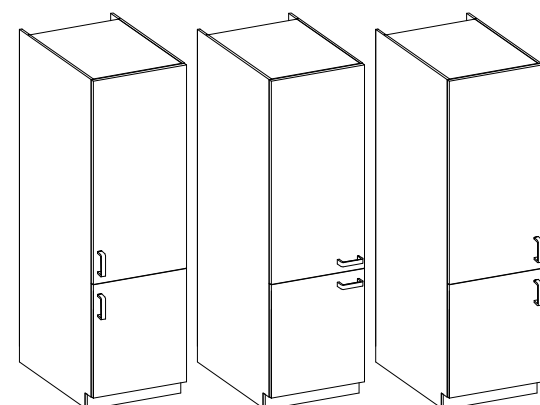
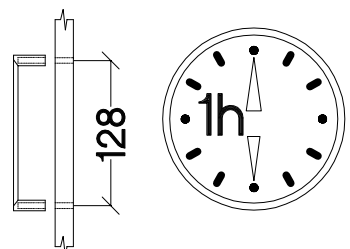
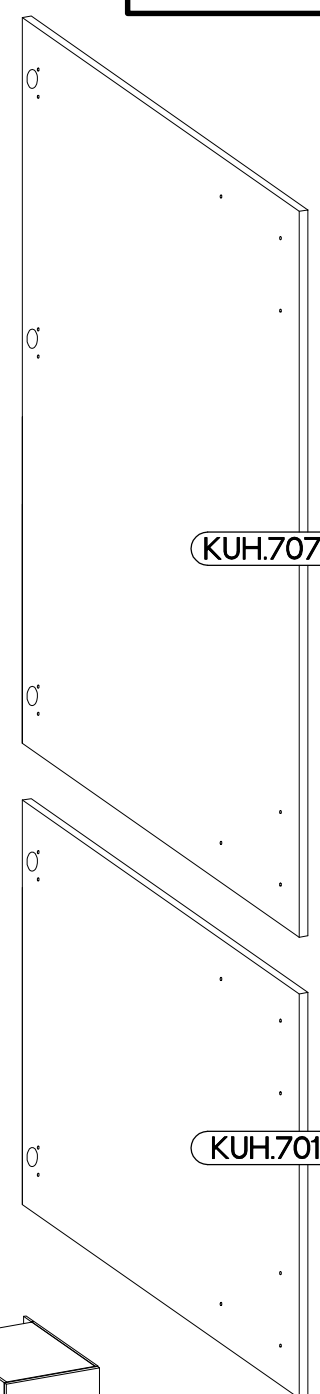
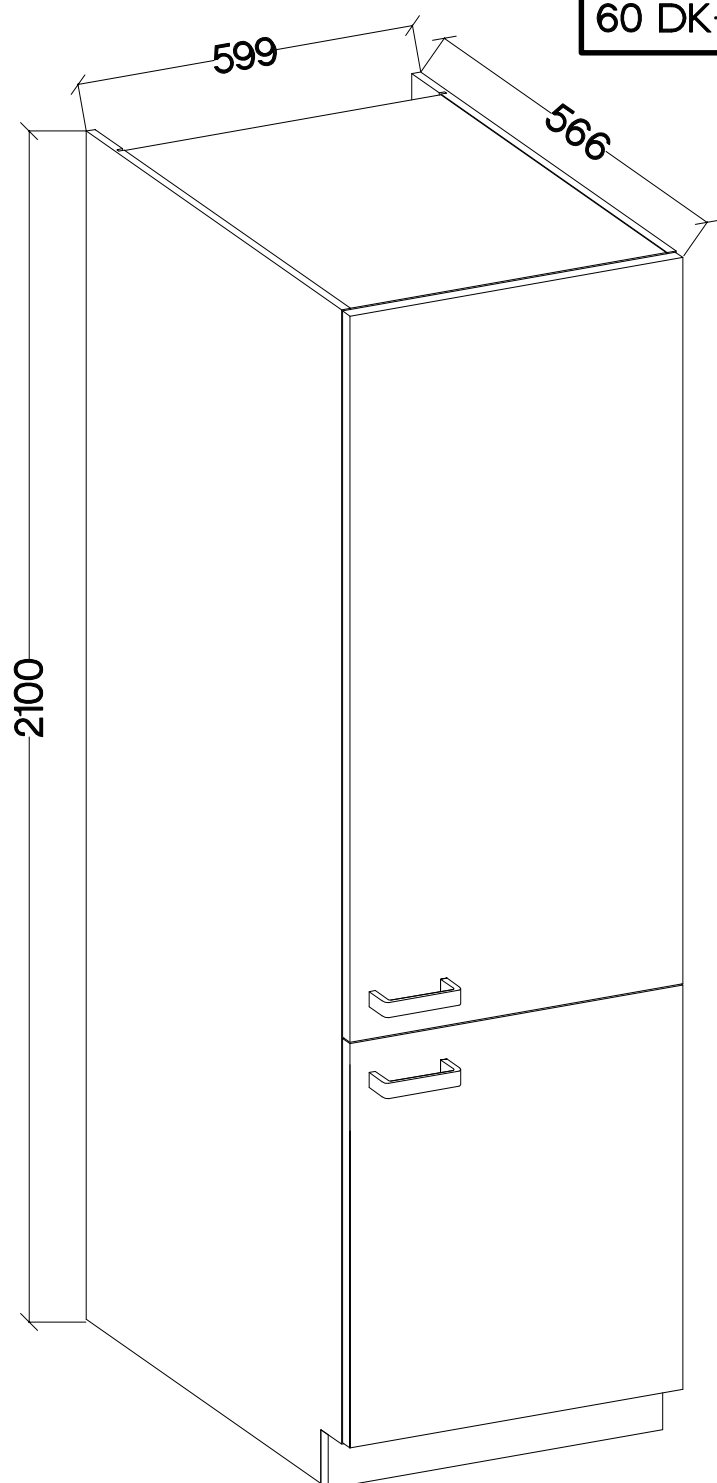
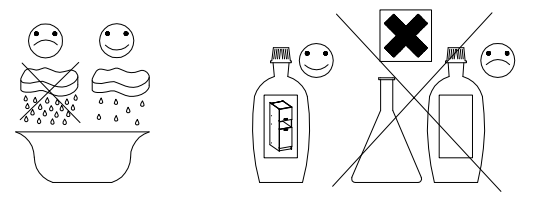
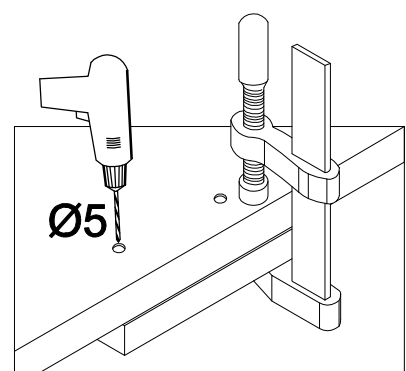
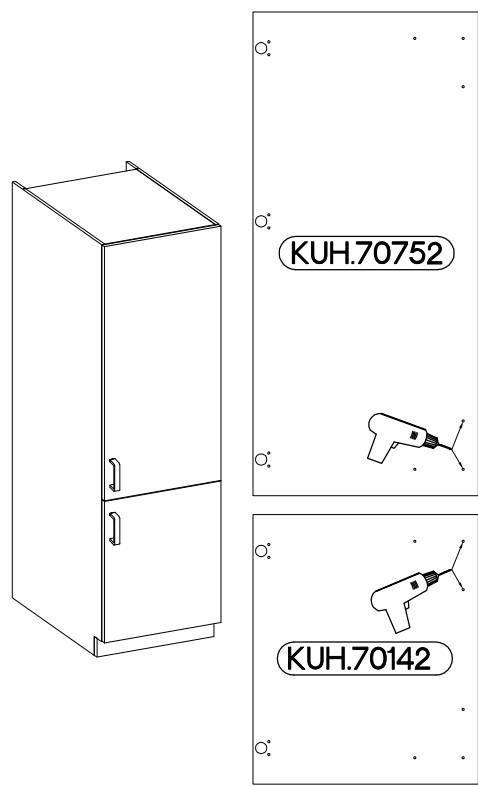
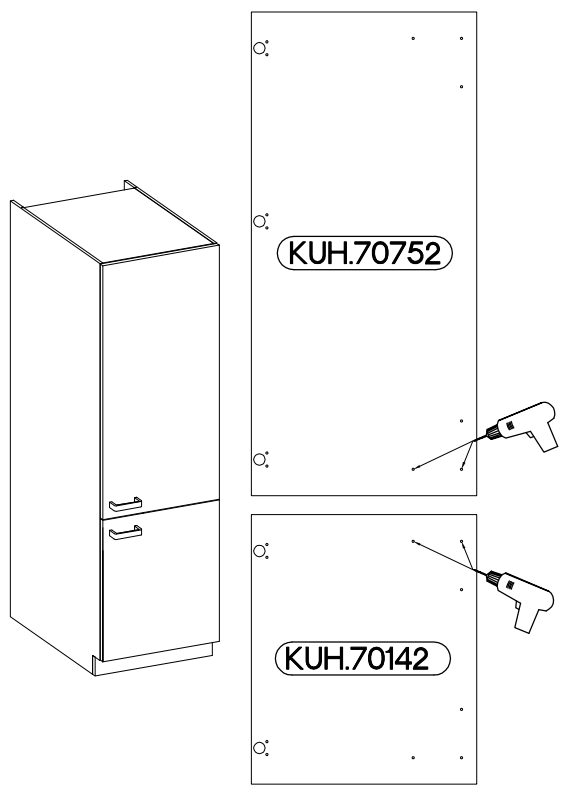
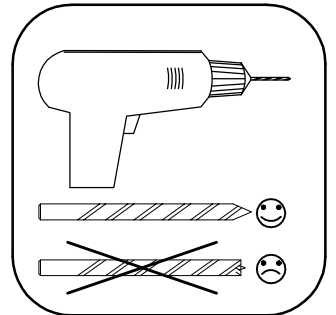
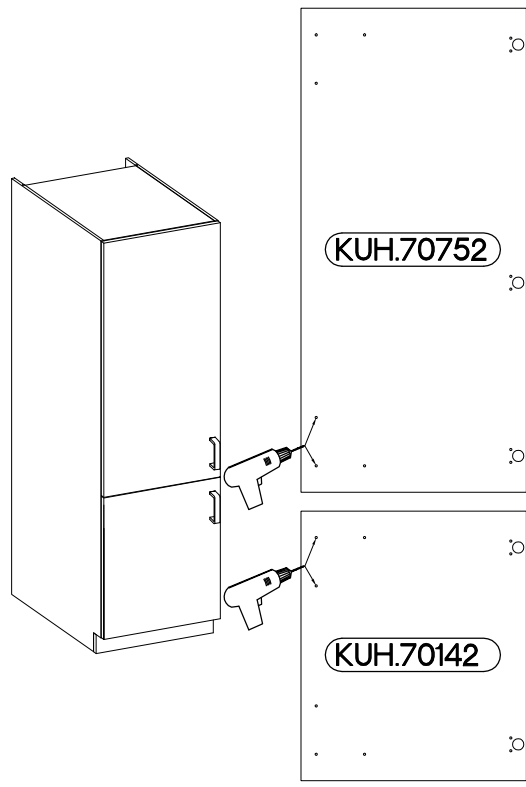
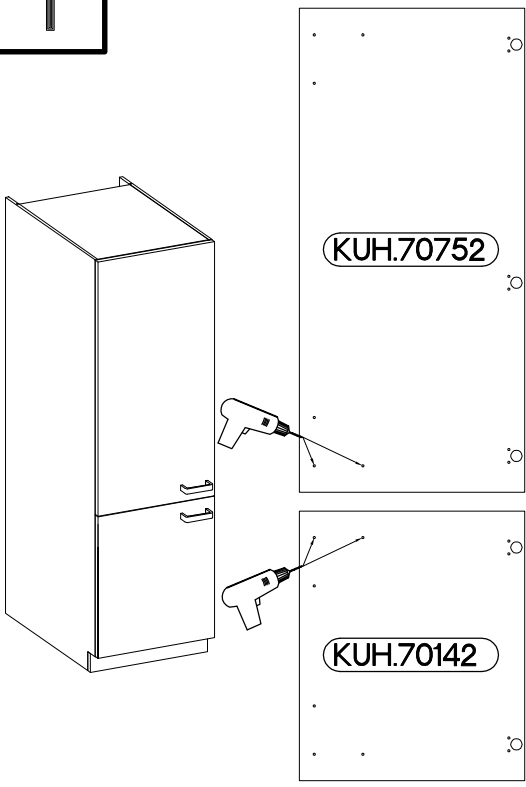


60 DK-2100 2F

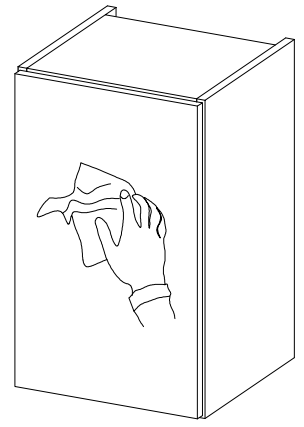
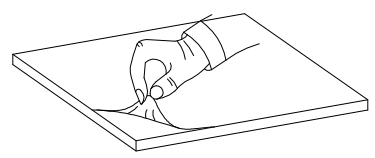
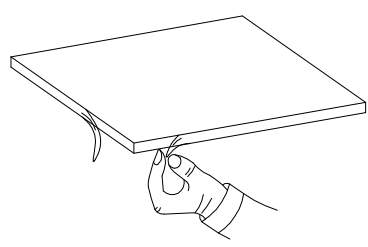


ISM-KUH-01104

1

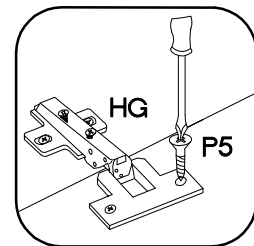
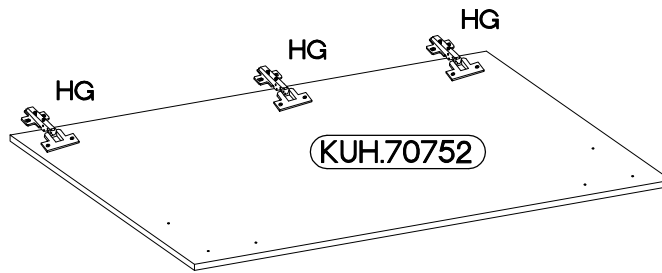
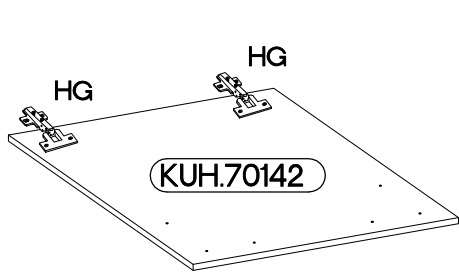


VARIANT HIGH GLOSS



2

±35/0mm HG 4	±3.5x13mm P5 8
--------------------	----------------------



3

M4x22mm U 4	S23 2
-------------------	----------

