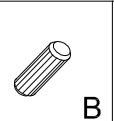
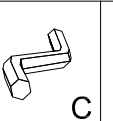
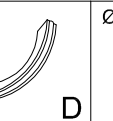
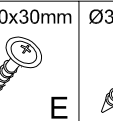
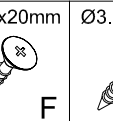
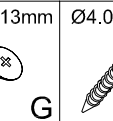
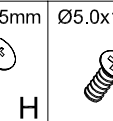
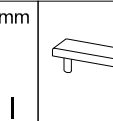

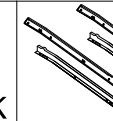

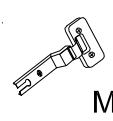
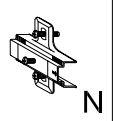
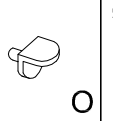
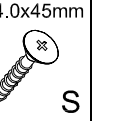
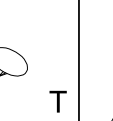
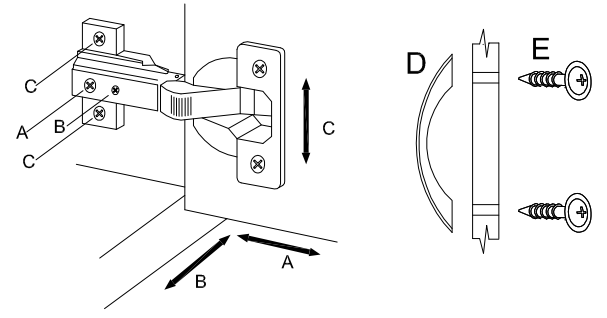
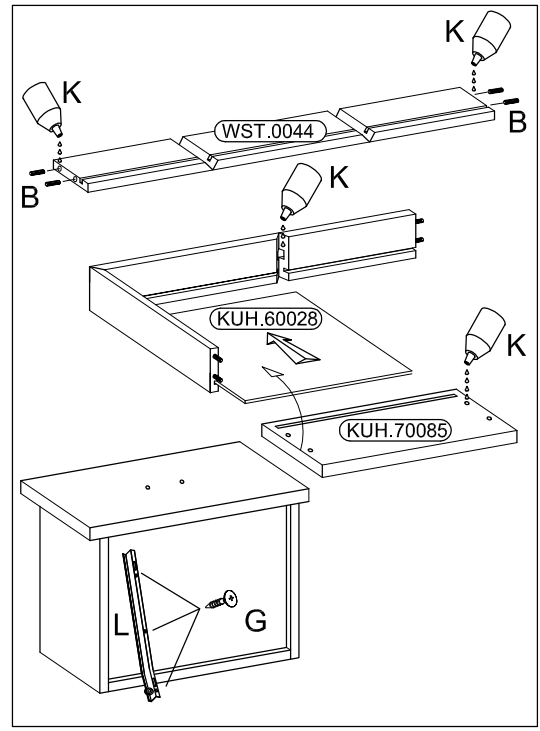
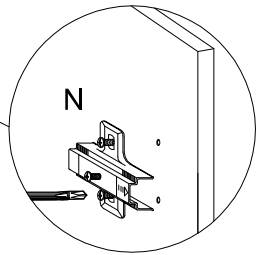
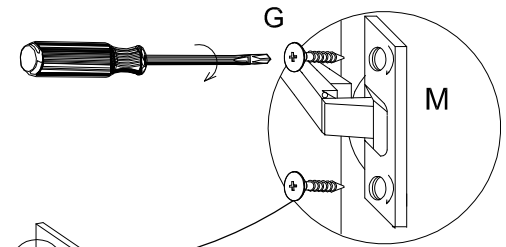
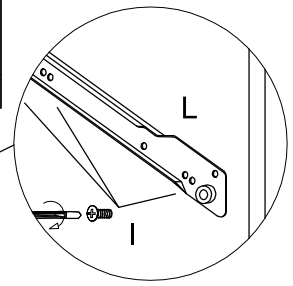
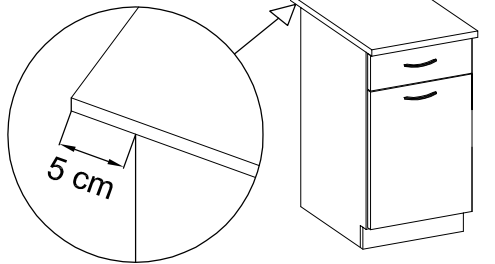
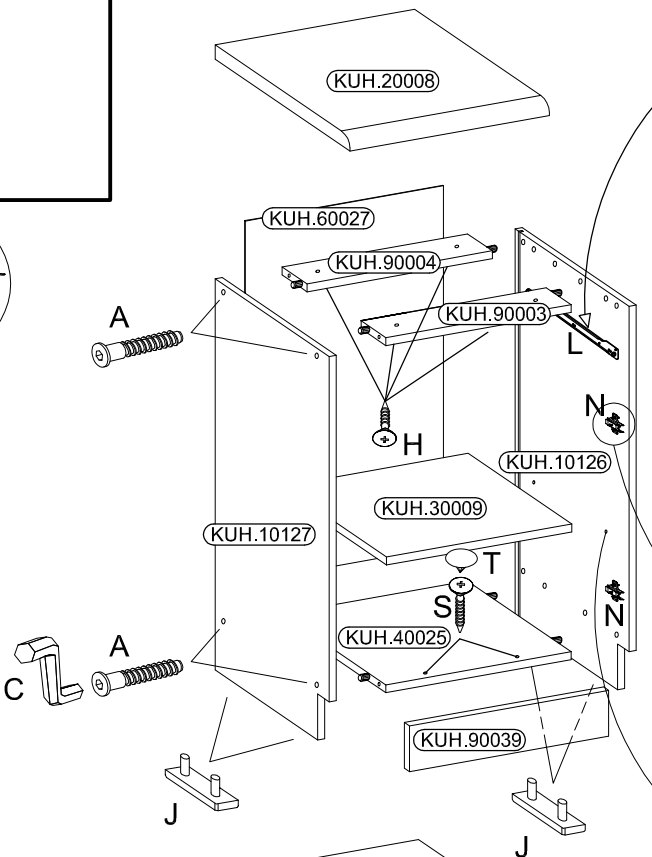
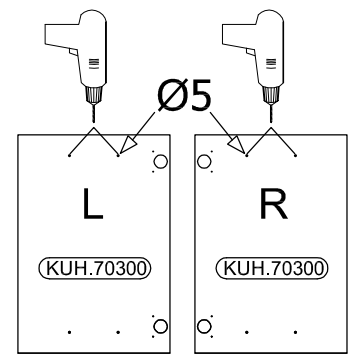
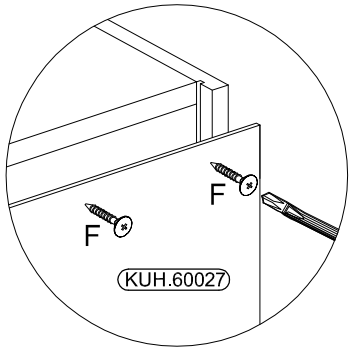
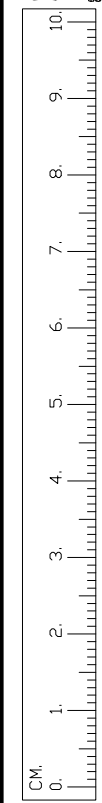
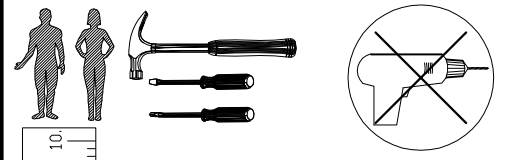
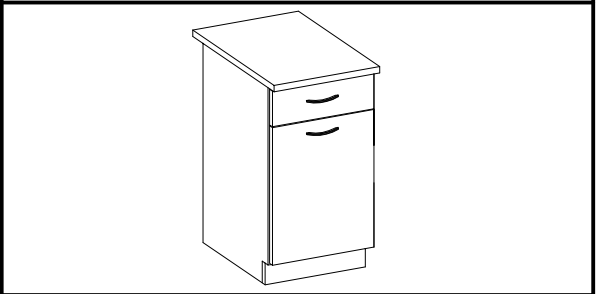
 A	 B	 C	 D	 E	 F	 G	 H	 I	 J	 K	 L
8	12	1	2	4	10	10	4	6	4	1	1
 M	 N	 O	 S	 T							
2	2	4	2	2							



ISM-KUH-00502