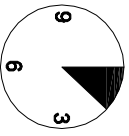
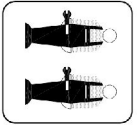
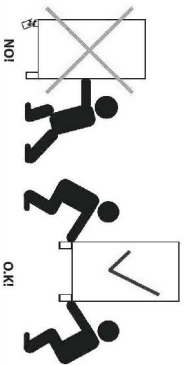
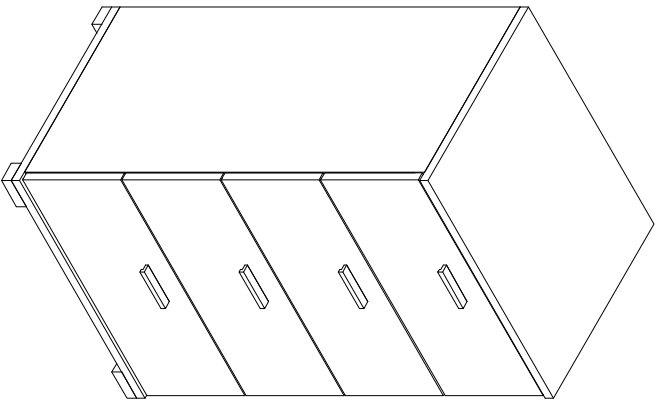
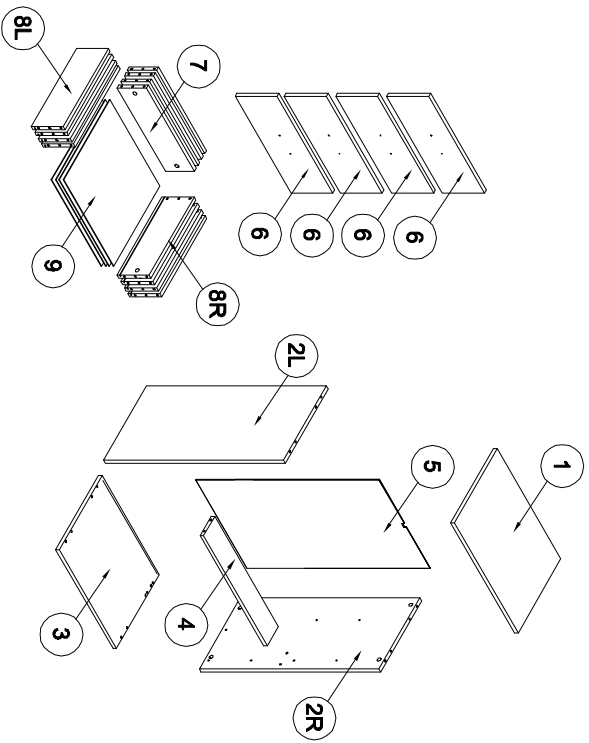


50

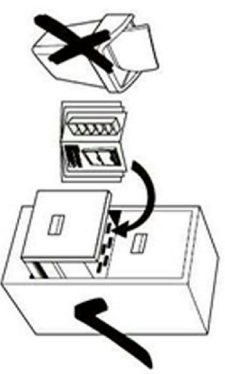
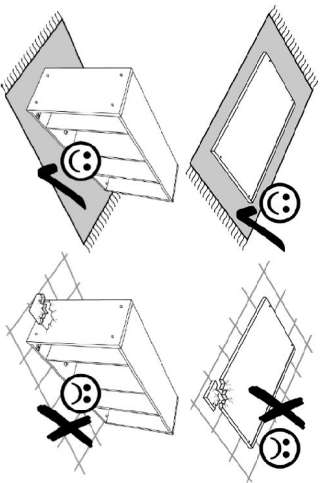


20 min.

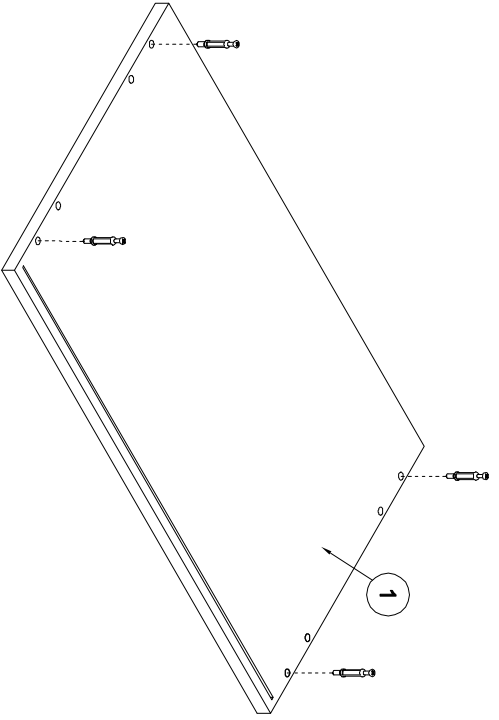
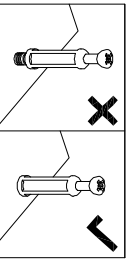
1



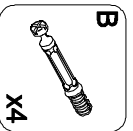
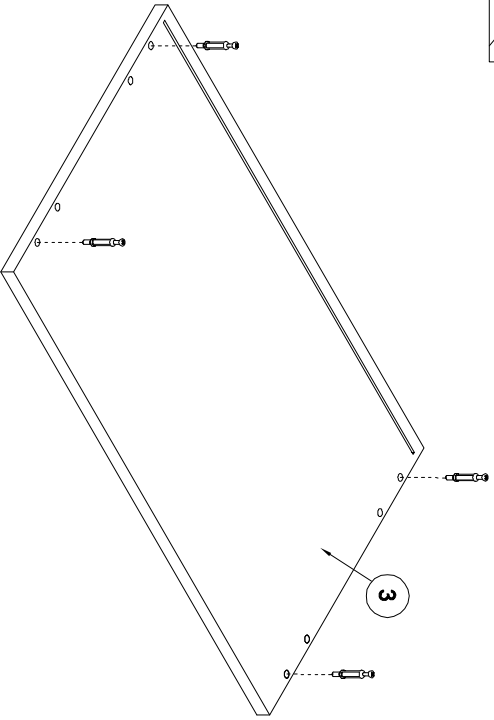
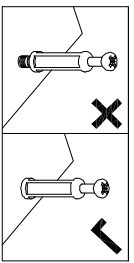
GLUE X1	Z X24	C X24	N X16	W X4	YA X8	TA X1	TB X1	NB X24	Y X4	RPS X4	A X44	ND X24	B X24
	X1	X24	X16	X4	X8	X1	X1	X24	X4	X4	X44	X24	X24



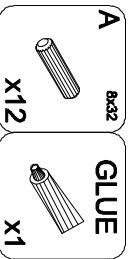
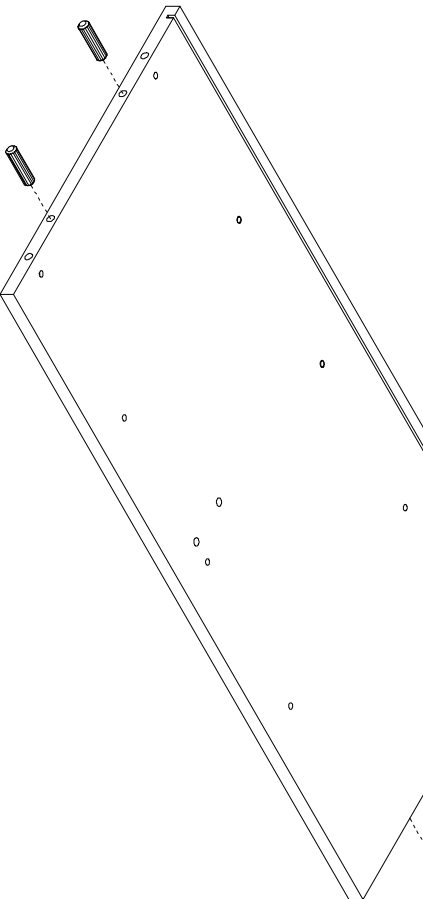
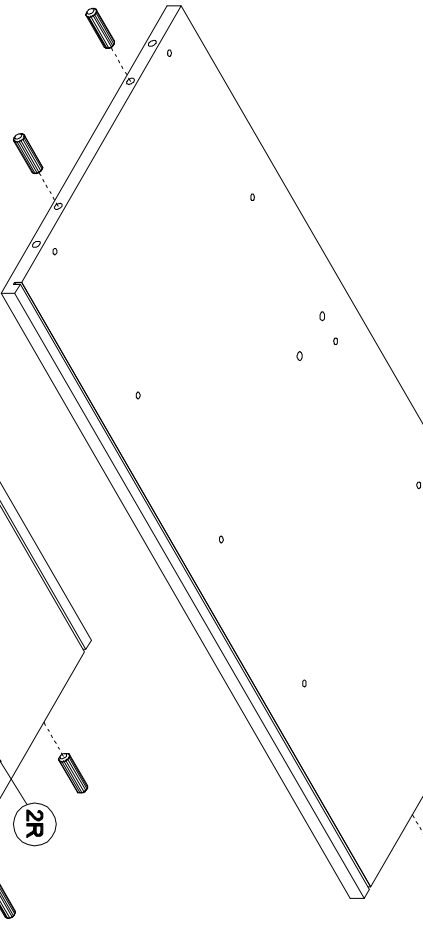
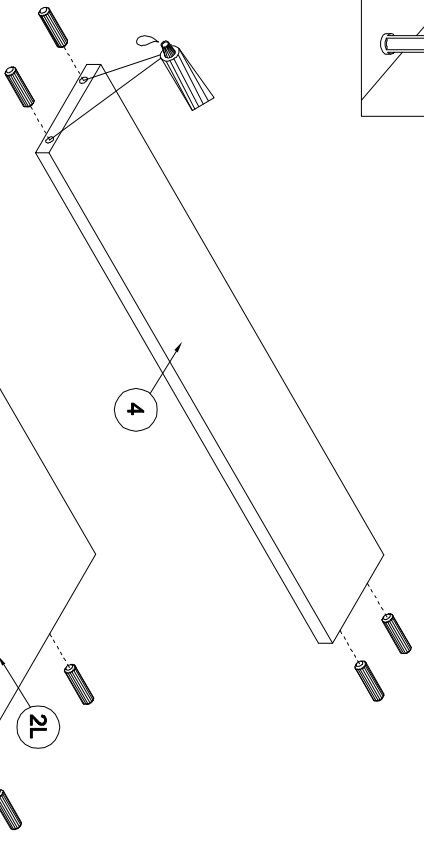
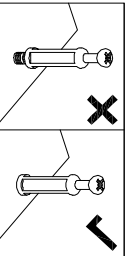
2



3

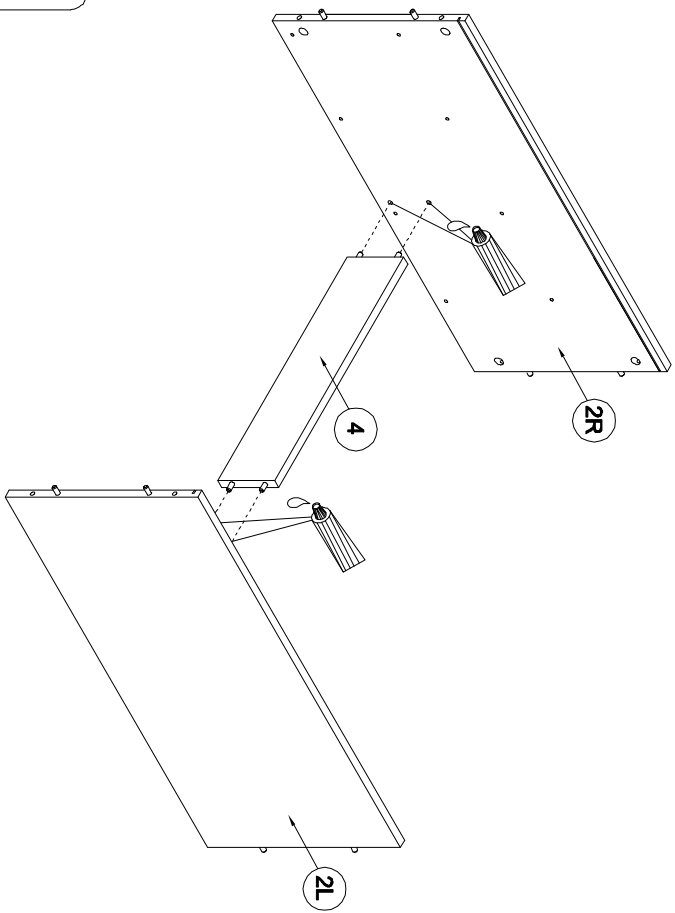


4

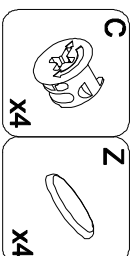
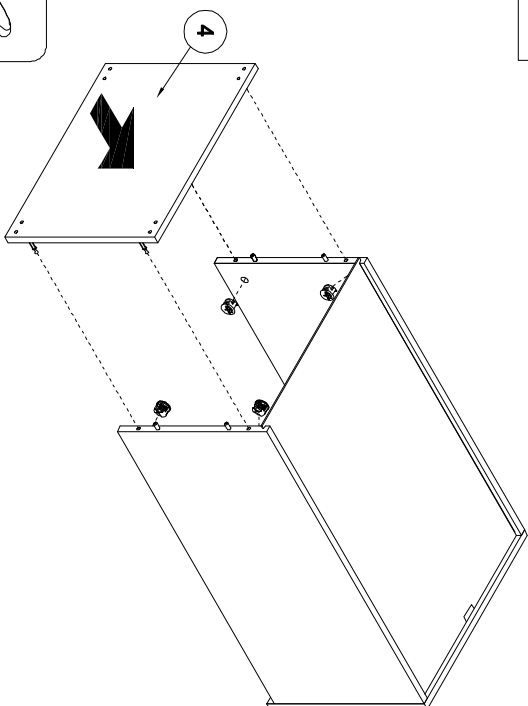
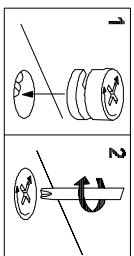


5

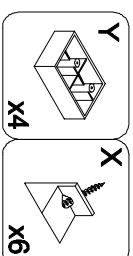
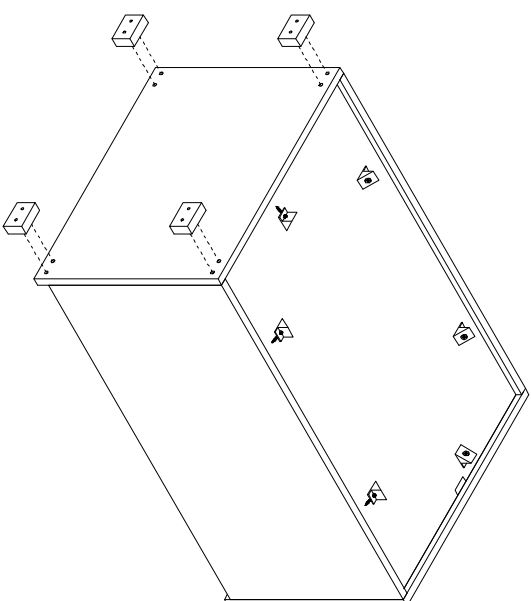
6



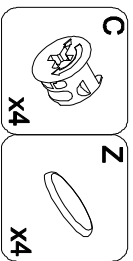
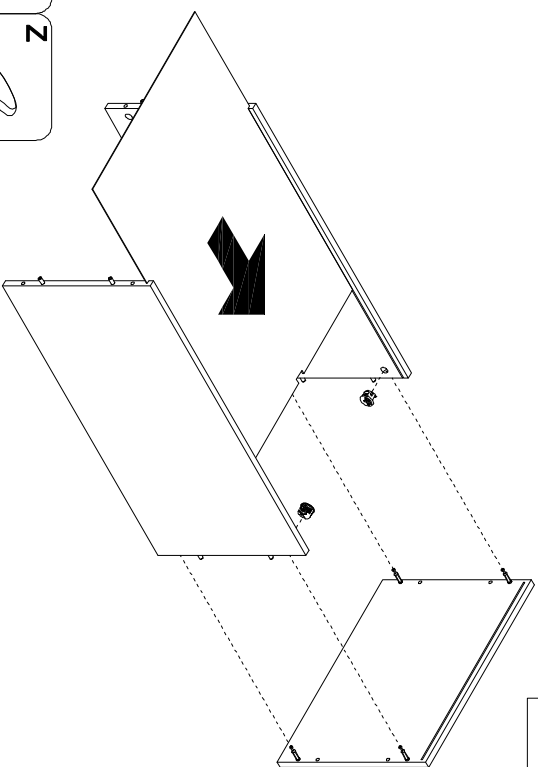
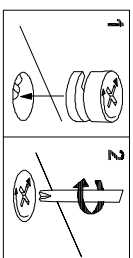
7



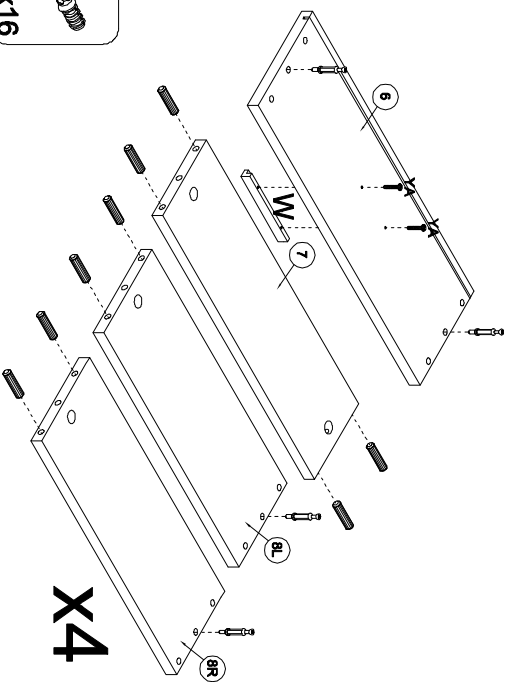
9



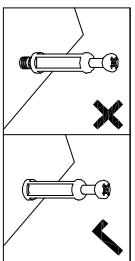
8



10

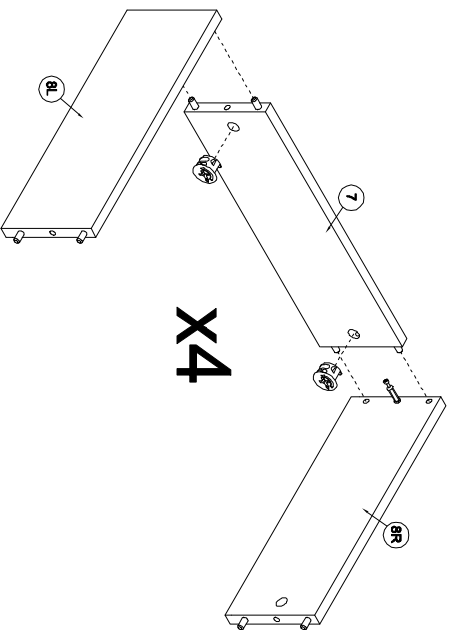


- | | | | |
|-----------|------|----------|-----|
| A | 8x32 | B | X32 |
| YA | 4x27 | W | X16 |
| X8 | | | X4 |

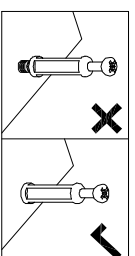
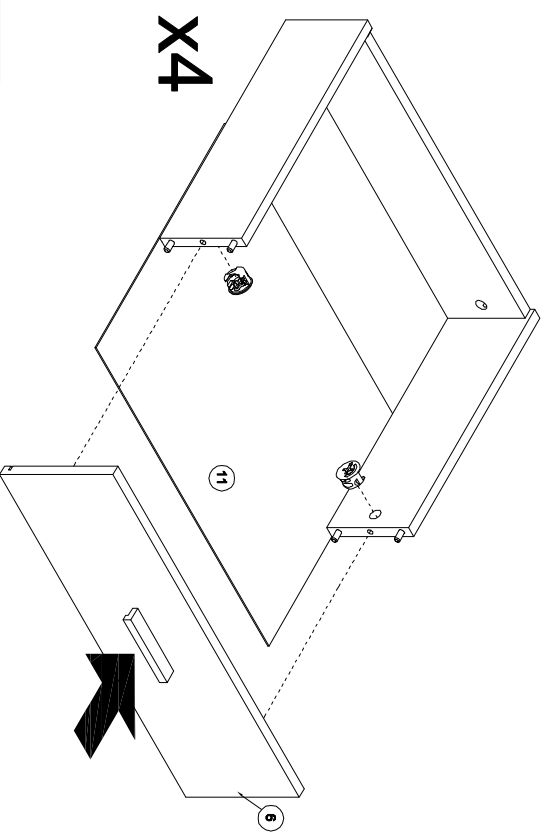


- | | |
|----------|----------|
| C | Z |
| | |
| X8 | X8 |

11

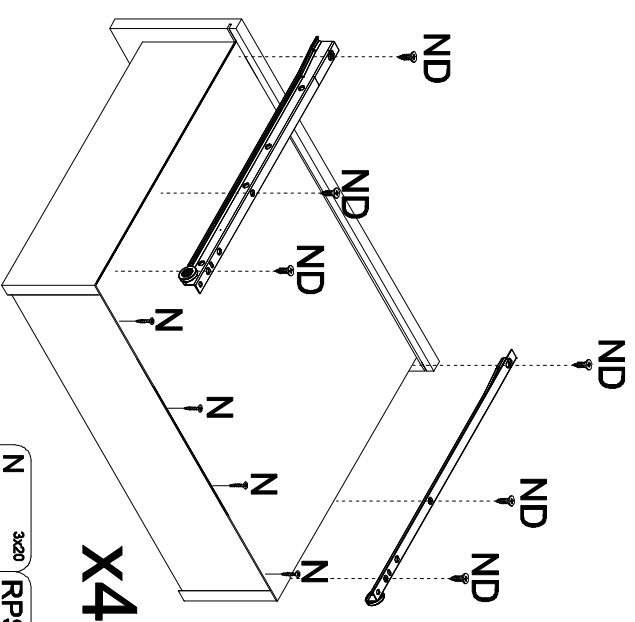


12



- | | |
|----------|----------|
| C | Z |
| | |
| X8 | X8 |

13



- | | | | |
|----------|------|------------|-----------|
| N | 3x20 | RPS | ND |
| X16 | | | 3.5x16 |
| | | X4 | X24 |

- RPS x4
- NB 3.6x13 x24
- TB x1
- TA x1
- NA 4x13 x1

